

YANMAR DIESEL ENGINE

PARTS CATALOG

● パーツカタログ



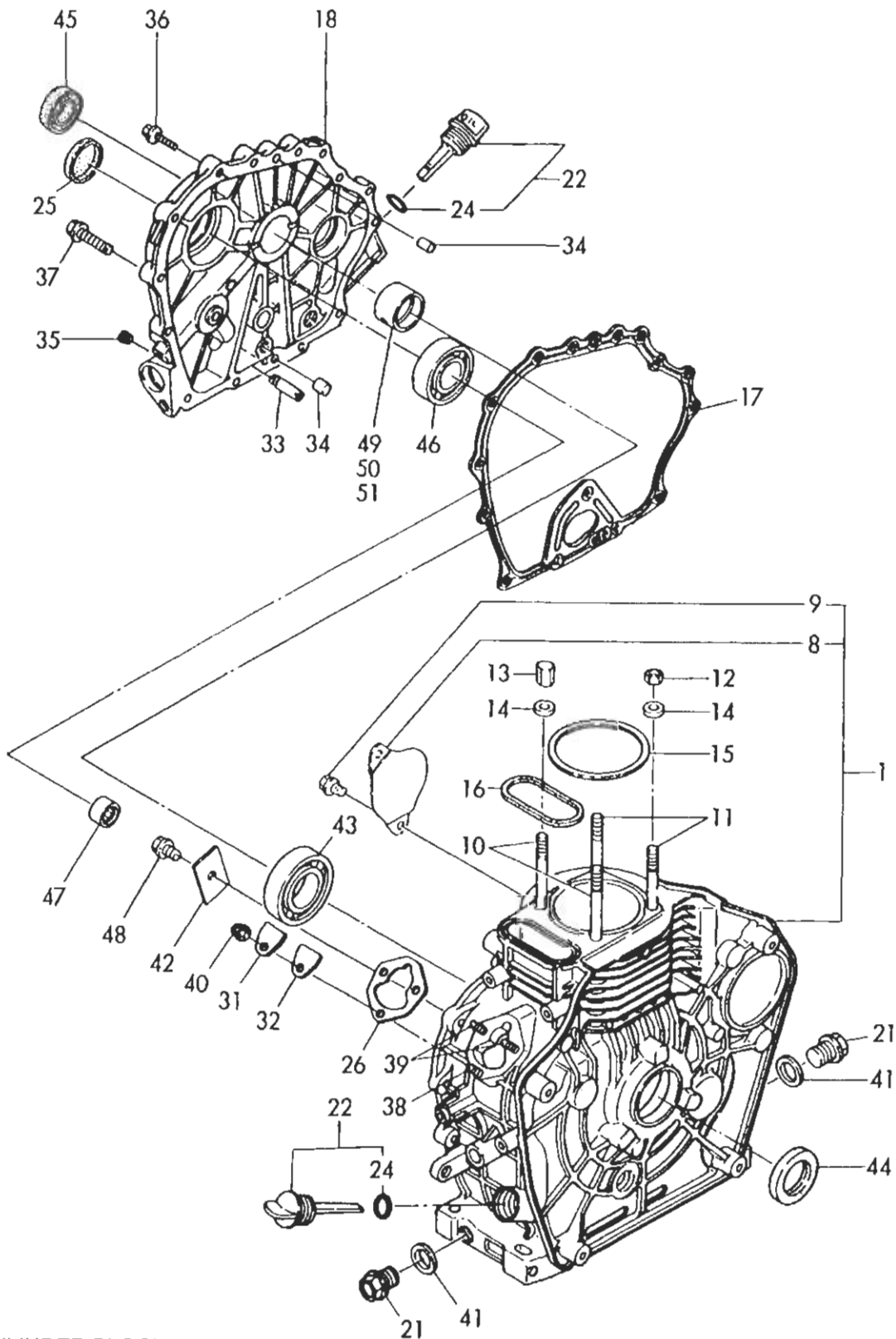
**L40ARE-S
L40ARE-SE**

MODEL

 *
 * **CONTENTS** *
 *

GROUP NO.	GROUP NAME	LOCATION NO.
1	CYLINDER BLOCK	1B02
2	CYLINDER HEAD & BONNET	1B03
3	AIR CLEANER & MUFFLER	1B04
4	CAMSHAFT, CRANKSHAFT & PISTON	1B05
5	LUB. OIL PUMP & GOVERNOR	1B06
6	COOLING & STARTING DEVICE	1B07
7	FUEL INJECTION DEVICE	1B08
8	FUEL TANK & FUEL LINE	1B09
9	STARTING MOTOR & DYNAMO	1B10
10	LABEL, TOOL & GASKET SET	1B11

Fig. 1 CYLINDER BLOCK

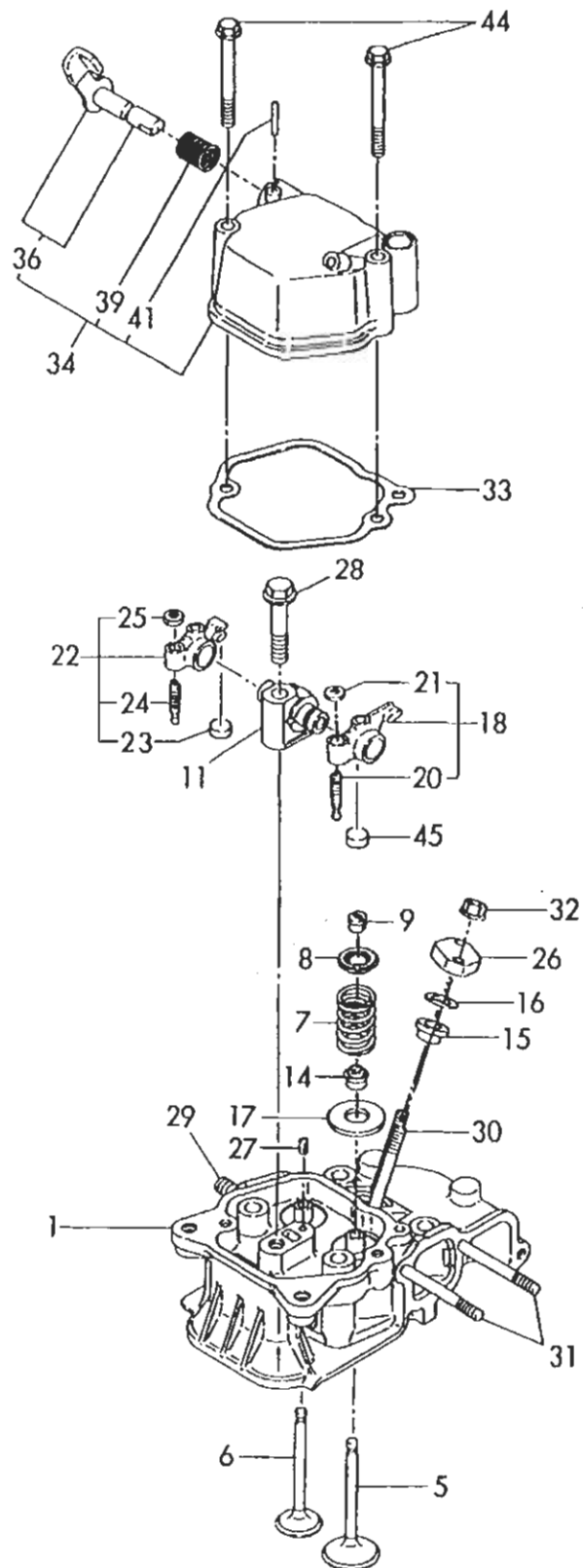


CYLINDER BLOCK (FIG1) L40ARE-S L40ARE-SE. 13/06/2007

Unit Spec: CYLINDER BLOCK (FIG1) L40ARE-S L40ARE-SE

Ref	Part #	Qty	Description
1	714271-01560	1	BLOCK ASSY, CYLINDER L40ARE-S, L40ARE-SE
8	114350-01700	1	.COVER, MOTOR L40ARE-S, L40ARE-SE
9	26106-100122	2	.BOLT M10X 12 PLATED L40ARE-S, L40ARE-SE
10	114250-01200	2	STUD, CYL. HEAD L40ARE-S, L40ARE-SE
11	114250-01210	2	STUD, CYL. HEAD L40ARE-S, L40ARE-SE
12	114250-01220	2	NUT, CYL. HEAD L40ARE-S, L40ARE-SE
13	114250-01250	2	NUT 8 L40ARE-S, L40ARE-SE
14	124950-01250	4	WASHER L40ARE-S, L40ARE-SE
15	114250-01340	1	GASKET, CYL. HEAD L40ARE-S, L40ARE-SE
16	114250-01380	1	O-RING L40ARE-S, L40ARE-SE
17	114250-01412	1	GASKET, CRANK CASE L40ARE-S, L40ARE-SE
18	114254-01470	1	CASE COVER ASSY L40ARE-S, L40ARE-SE
21	105425-01690	2	PLUG M16 L40ARE-S, L40ARE-SE
22	160710-01760	2	CAP ASSY, OIL FILLER L40ARE-S, L40ARE-SE
24	24311-000180	2	.O-RING 1A P-18.0 L40ARE-S, L40ARE-SE
25	160210-01790	1	COVER L40ARE-S, L40ARE-SE
26	114250-01800	1	SHIM SET L40ARE-S, L40ARE-SE
31	114250-01830	1	COVER L40ARE-S, L40ARE-SE
32	114250-01840	1	GASKET L40ARE-S, L40ARE-SE
33	114250-35150	1	PIPE, L.O JOINT L40ARE-S, L40ARE-SE
34	22312-080120	2	PARALLEL PIN 8X12 L40ARE-S, L40ARE-SE
35	23871-010000	1	PLUG PT1/8,SCREW L40ARE-S, L40ARE-SE
36	26106-060252	14	BOLT M 6X 25 PLATED L40ARE-S, L40ARE-SE
37	26106-080352	1	BOLT M 8X 35 PLATED L40ARE-S, L40ARE-SE
38	26226-060182	1	STUD M 6X 18 PLATED L40ARE-S, L40ARE-SE
39	26226-060222	2	STUD M 6X 22 PLATED L40ARE-S, L40ARE-SE
40	26366-060002	3	NUT M 6 L40ARE-S, L40ARE-SE
41	43400-500490	2	SEAL WASHER 16S L40ARE-S, L40ARE-SE
42	114250-02030	1	RETAINER, BEARING L40ARE-S, L40ARE-SE
43	114250-02113	1	BALL BEARING L40ARE-S, L40ARE-SE
44	160110-02220	1	SEAL, OIL L40ARE-S, L40ARE-SE
45	160210-02220	1	SEAL, OIL L40ARE-S, L40ARE-SE
46	24101-062050	1	BALL BEARING L40ARE-S, L40ARE-SE
47	24162-152112	1	NEEDLE BEARING L40ARE-S, L40ARE-SE
48	26106-080122	1	BOLT M 8X 12 PLATED L40ARE-S, L40ARE-SE
49	114250-02100	1	MAIN BEARING L40ARE-S, L40ARE-SE
50	114250-02200	1	MAIN BEARING(US 0.25 L40ARE-S, L40ARE-SE
51	114250-02210	1	MAIN BEARING (US 0.5 L40ARE-S, L40ARE-SE

Fig. 2 CYLINDER HEAD & BONNET

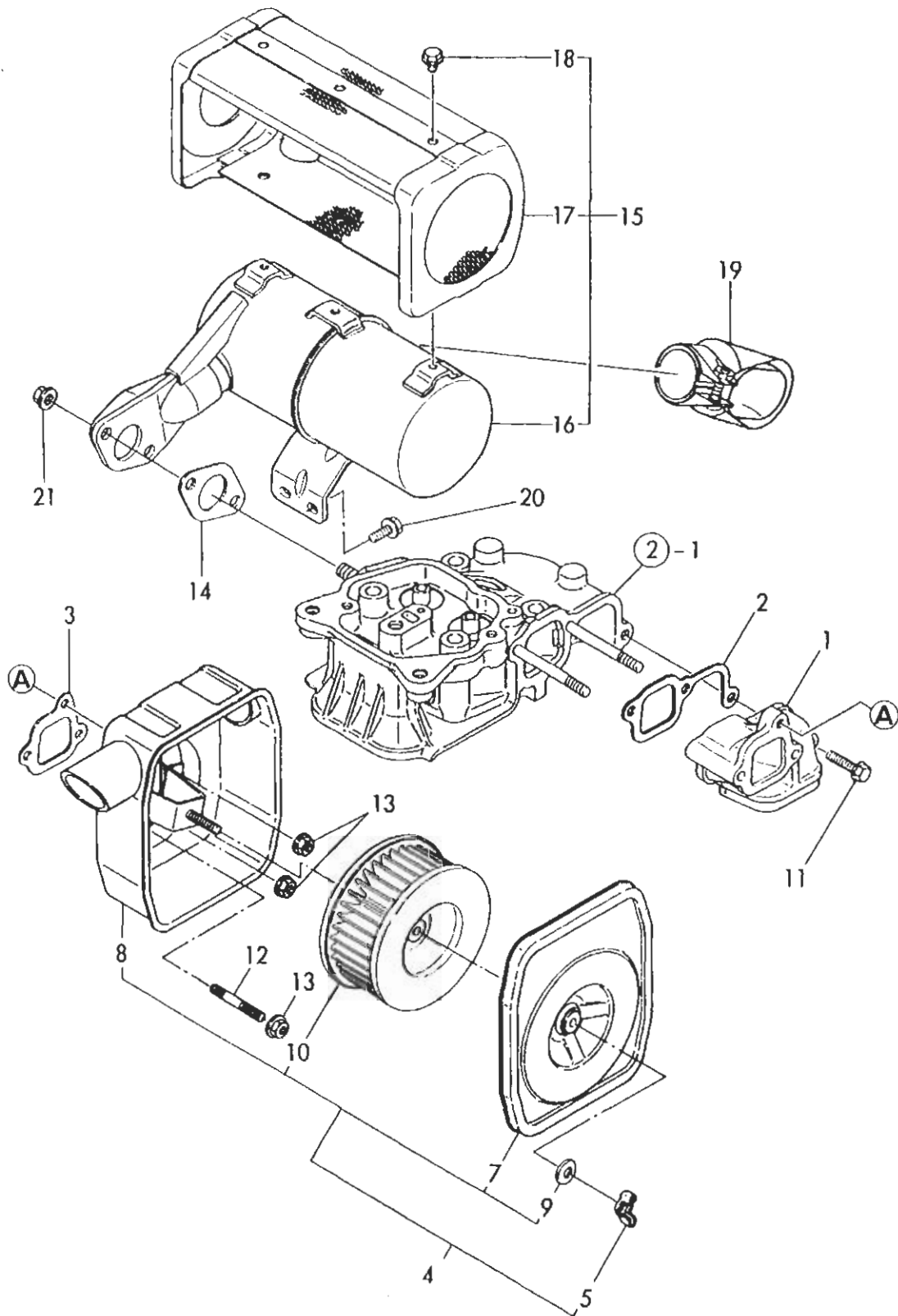


CYLINDER HEAD & BONNET (FIG2) L40ARE-S L40ARE-SE. 13/06/2007

Unit Spec: CYLINDER HEAD & BONNET (FIG2) L40ARE-S L40ARE-SE

Ref	Part #	Qty	Description
1	114250-11020	1	HEAD ASSY, CYLINDER L40ARE-S, L40ARE-SE
5	114250-11101	1	VALVE, SUCTION L40ARE-S, L40ARE-SE
6	114250-11113	1	VALVE, EXHAUST L40ARE-S, L40ARE-SE
7	114250-11120	2	SPRING, VALVE L40ARE-S, L40ARE-SE
8	114250-11180	2	RETAINER, SPRING L40ARE-S, L40ARE-SE
9	714250-11570	2	COTTER ASSY L40ARE-S, L40ARE-SE
11	114250-11290	1	SUPPORT, ROCKER ARM L40ARE-S, L40ARE-SE
14	114250-11340	2	SEAL, VALVE STEM L40ARE-S, L40ARE-SE
15	114250-11460	1	GASKET, NOZZLE L40ARE-S, L40ARE-SE
16	114350-11470	1	SPACER L40ARE-S, L40ARE-SE
17	114250-11600	2	WASHER L40ARE-S, L40ARE-SE
18	114250-11651	1	ARM, VALVE ROCKER L40ARE-S, L40ARE-SE
20	114250-11240	1	.SCREW, VALVE L40ARE-S, L40ARE-SE
21	26756-060002	1	.LOCK NUT M 6 PLATED L40ARE-S, L40ARE-SE
22	714270-11660	1	ARM ASSY, EXHAUST L40ARE-S, L40ARE-SE
23	119260-11370	1	.CAP, VALVE L40ARE-S, L40ARE-SE
24	114250-11240	1	.SCREW, VALVE L40ARE-S, L40ARE-SE
25	26756-060002	1	.LOCK NUT M 6 PLATED L40ARE-S, L40ARE-SE
26	114250-11900	1	RETAINER L40ARE-S, L40ARE-SE
27	22351-040008	1	SPRING PIN 4X 8 L40ARE-S, L40ARE-SE
28	26106-080452	1	BOLT M 8X 45 PLATED L40ARE-S, L40ARE-SE
29	26216-080182	2	STUD M 8X 18 PLATED L40ARE-S, L40ARE-SE
30	26226-060502	2	STUD M 6X 50 L40ARE-S, L40ARE-SE
31	26226-060552	2	STUD M 6X 55 L40ARE-S, L40ARE-SE
32	26366-060002	2	NUT M 6 L40ARE-S, L40ARE-SE
33	114250-11310	1	GASKET, BONNET L40ARE-S, L40ARE-SE
34	114250-11951	1	BONNET ASSY, HEAD L40ARE-S, L40ARE-SE
36	114250-03591	1	.SHAFT, DECOMPRESSION L40ARE-S, L40ARE-SE
39	114250-03640	1	.SPRING L40ARE-S, L40ARE-SE
41	22312-030160	1	.PARALLEL PIN 3X16 L40ARE-S, L40ARE-SE
44	26106-060552	2	BOLT M 6X 55 PLATED L40ARE-S, L40ARE-SE
45	119260-11370	1	CAP, VALVE L40ARE-S, L40ARE-SE

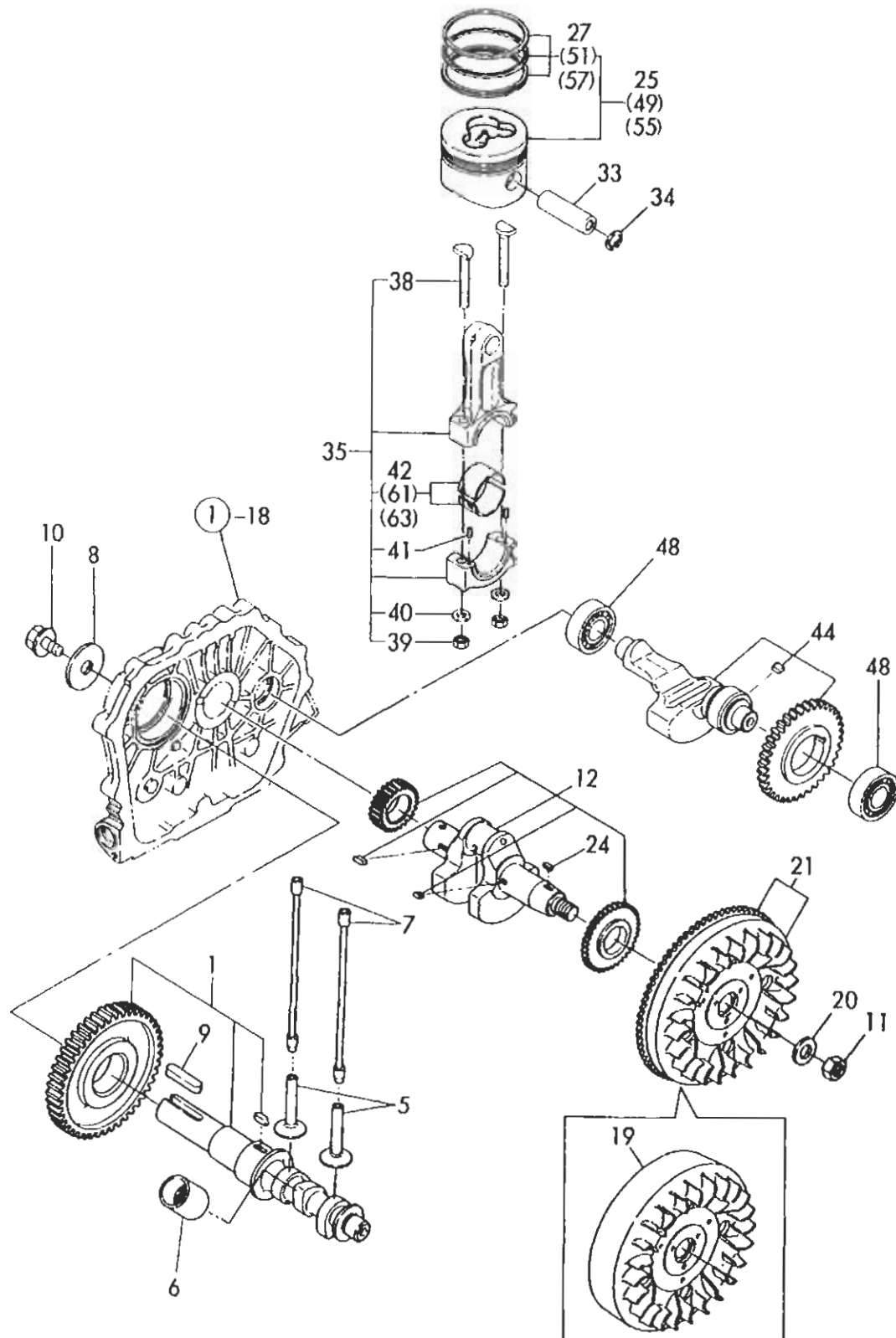
Fig. 3 AIR CLEANER & MUFFLER



Unit Spec: AIR CLEANER & MUFFLER (FIG3) L40ARE-S L40ARE-SE

Ref	Part #	Qty	Description
1	114250-12010	1	PIPE, AIR INTAKE L40ARE-S, L40ARE-SE
2	114250-12200	1	GASKET, AIR INTAKE L40ARE-S, L40ARE-SE
3	114250-12210	1	GASKET, AIR CLEANER L40ARE-S, L40ARE-SE
4	714250-12560	1	CLEANER, AIR ASSY. L40ARE-S, L40ARE-SE
5	114250-12550	1	.WING NUT (M6 L40ARE-S, L40ARE-SE
7	114250-12520	1	.COVER, AIR CLEANER L40ARE-S, L40ARE-SE
8	114250-12530	1	.CASE, AIR CLEANER L40ARE-S, L40ARE-SE
9	114250-12560	1	.WASHER, SEAL L40ARE-S, L40ARE-SE
10	114250-12580	1	.ELEMENT, WET AIR L40ARE-S, L40ARE-SE
11	26106-060252	1	BOLT M 6X 25 PLATED L40ARE-S, L40ARE-SE
12	26226-060142	1	STUD M 6X 14 PLATED L40ARE-S, L40ARE-SE
13	26366-060002	3	NUT M 6 L40ARE-S, L40ARE-SE
14	114250-13200	1	GASKET, SILENCER L40ARE-S, L40ARE-SE
15	114250-13521	1	SILENCER W/COVER L40ARE-S, L40ARE-SE
16	114250-13531	1	.SILENCER L40ARE-S, L40ARE-SE
17	114250-13701	1	.COVER, SILENCER L40ARE-S, L40ARE-SE
18	26106-060082	6	.BOLT M 6X 8 PLATED L40ARE-S, L40ARE-SE
19	114268-13800	1	EXTENSION L40ARE-S, L40ARE-SE
20	26106-060122	2	BOLT M 6X 12 PLATED L40ARE-S, L40ARE-SE
21	26366-080002	2	NUT M 8 L40ARE-S, L40ARE-SE

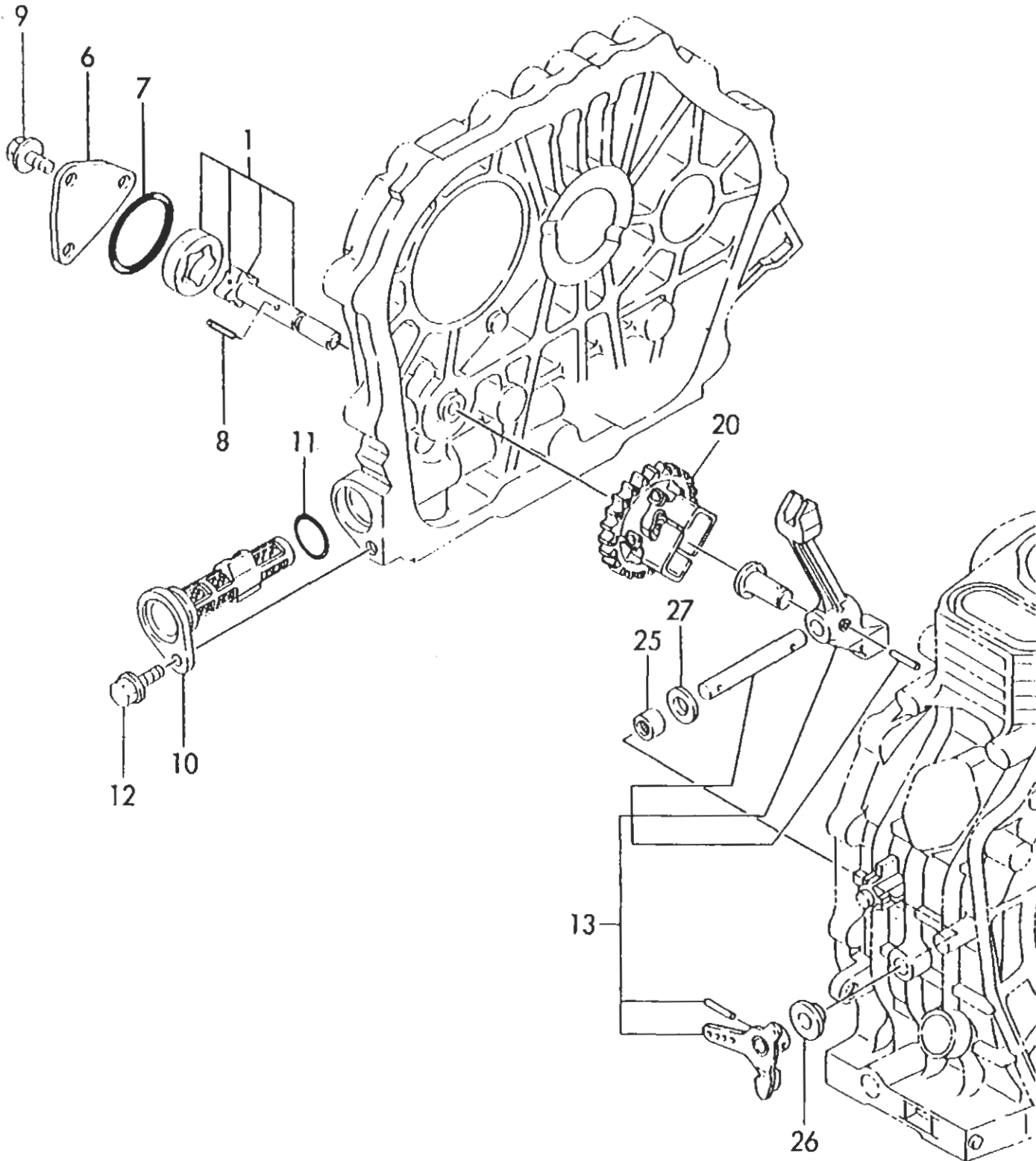
Fig. 4 CRANKSHAFT, PISTON & CAMSHAFT



Unit Spec: CAMSHAFT, CRANKSHAFT & PISTON (FIG4) L40ARE-S L40ARE-SE

Ref	Part #	Qty	Description
1	714278-14680	1	CAMSHAFT (D) ASSY. L40ARE-S, L40ARE-SE
5	114250-14200	2	TAPPET, SUC./EXH. L40ARE-S, L40ARE-SE
6	114250-14260	1	TAPPET, FUEL OIL L40ARE-S, L40ARE-SE
7	114250-14450	2	ROD, PUSH L40ARE-S, L40ARE-SE
8	160310-14550	1	WASHER L40ARE-S, L40ARE-SE
9	22512-050300	1	KEY 5X 30 L40ARE-S, L40ARE-SE
10	26106-080202	1	BOLT M 8X 20 PLATED L40ARE-S, L40ARE-SE
11	103854-01221	1	NUT M16 L40ARE-S, L40ARE-SE
12	714278-21710	1	CRANKSHAFT ASSY(S) L40ARE-S, L40ARE-SE
19	114780-21400	1	FLYWHEEL (D) L40ARE-S
20	114250-21550	1	WASHER L40ARE-S, L40ARE-SE
21	114781-21590	1	FLYWHEEL W/RING GEAR L40ARE-SE
24	22512-040120	1	KEY 4X 12 L40ARE-S, L40ARE-SE
25	714280-22720	1	PISTON W/RINGS L40ARE-S, L40ARE-SE
27	714250-22502	1	.RING SET, PISTON L40ARE-S, L40ARE-SE
33	114250-22302	1	PIN, PISTON D=19 L40ARE-S, L40ARE-SE
34	22252-000190	2	CIRCLIP 19 L40ARE-S, L40ARE-SE
35	714250-23703	1	ROD ASSY, CONNECTING L40ARE-S, L40ARE-SE
38	114250-23200	2	.BOLT, ROD L40ARE-S, L40ARE-SE
39	114250-23220	2	.NUT L40ARE-S, L40ARE-SE
40	114250-23250	2	.WASHER L40ARE-S, L40ARE-SE
41	22312-030080	2	.PARALLEL PIN 3X 8 L40ARE-S, L40ARE-SE
42	714250-23600	1	.BEARING, CRANK PIN L40ARE-S, L40ARE-SE
44	714770-28510	1	SHAFT ASSY, BALANCER L40ARE-S, L40ARE-SE
48	24101-062024	2	BALL BEARING L40ARE-S, L40ARE-SE
49	714280-22620	1	PISTON W/RING OS=.25 L40ARE-S, L40ARE-SE
51	714250-22542	1	.RING SET (O.S. 0.25 L40ARE-S, L40ARE-SE
55	714280-22580	1	PISTON W/RING OS=0.5 L40ARE-S, L40ARE-SE
57	714250-22550	1	.RING SET (O.S. 0.5 L40ARE-S, L40ARE-SE
61	714250-23610	1	BEARING (US 0.25 L40ARE-S, L40ARE-SE
63	714250-23620	1	BEARING (US 0.5 L40ARE-S, L40ARE-SE

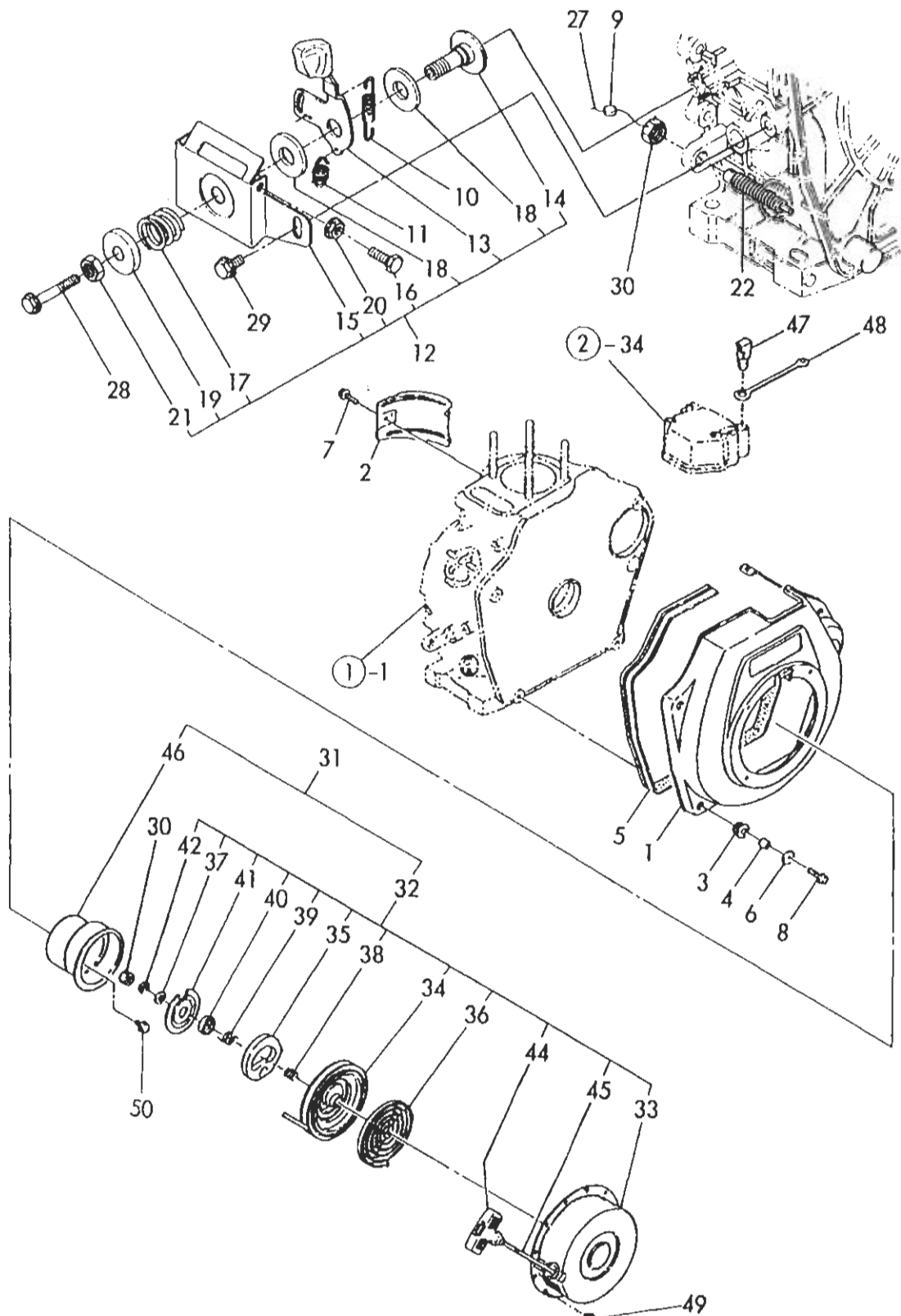
Fig. 5 LUB. OIL & GOVERNOR



Unit Spec: LUB. OIL PUMP & GOVERNOR (FIG5) L40ARE-S L40ARE-SE

Ref	Part #	Qty	Description
1	114250-32010	1	PUMP ASSY, LUB.OIL L40ARE-S, L40ARE-SE
6	114250-32070	1	COVER L40ARE-S, L40ARE-SE
7	103338-32570	1	O-RING L40ARE-S, L40ARE-SE
8	22312-030160	1	PARALLEL PIN 3X16 L40ARE-S, L40ARE-SE
9	26476-060142	3	BOLT M 6X 14,TAPPING L40ARE-S, L40ARE-SE
10	114250-35070	1	STRAINER, LUB.OIL L40ARE-S, L40ARE-SE
11	24341-000224	1	O-RING 1A S-22.4 L40ARE-S, L40ARE-SE
12	26106-060162	1	BOLT M 6X 16 PLATED L40ARE-S, L40ARE-SE
13	714278-61500	1	LEVER ASSY, GOVERNOR L40ARE-S, L40ARE-SE
20	714770-61700	1	GOVERNOR ASSY L40ARE-S, L40ARE-SE
25	121450-61520	2	NEEDLE BEARING FJ810 L40ARE-S, L40ARE-SE
26	114250-61900	1	BUSH, THRUST L40ARE-S, L40ARE-SE
27	22137-080000	1	WASHER 8, POLISHED L40ARE-S, L40ARE-SE

Fig. 6 COOLING & STARTING DEVICE

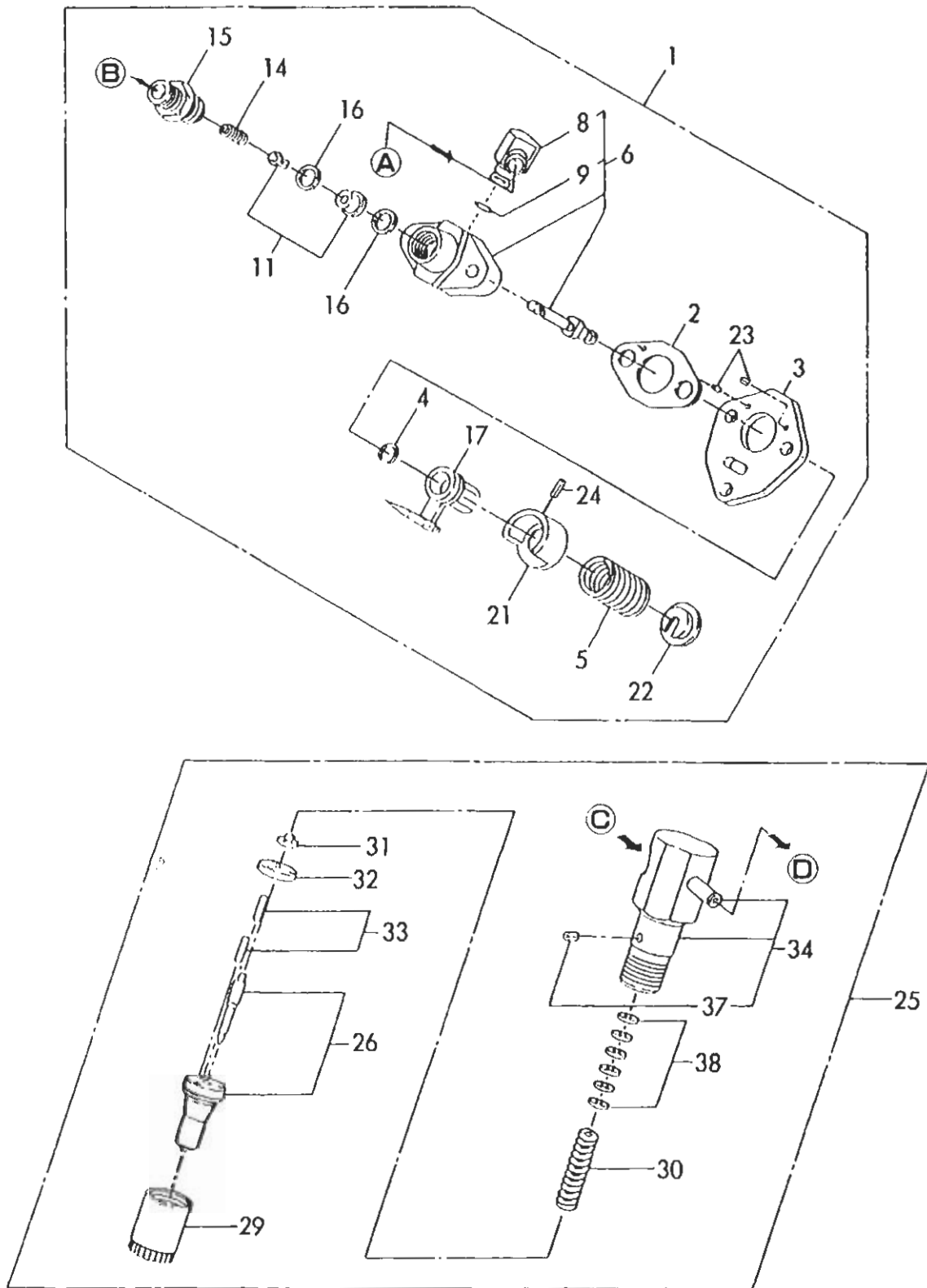


Unit Spec: COOLING & STARTING DEVICE (FIG6) L40ARE-S L40ARE-SE

Ref	Part #	Qty	Description
1	114780-45100	1	CASE,FAN(SILVER)(17) L40ARE-S, L40ARE-SE
2	114250-45211	1	COVER L40ARE-S, L40ARE-SE
3	114250-45300	4	SHOCK ABSORBER L40ARE-S, L40ARE-SE
4	114250-45310	4	COLLAR L40ARE-S, L40ARE-SE
5	114250-45330	1	SEAL, FAN CASE L40ARE-S, L40ARE-SE
6	160120-76940	4	WASHER L40ARE-S, L40ARE-SE
7	26476-060142	1	BOLT M 6X 14,TAPPING L40ARE-S, L40ARE-SE
8	26476-060252	4	BOLT M 6X 25,TAPPING L40ARE-S, L40ARE-SE
9	135210-61090	2	LEAD L40ARE-S, L40ARE-SE
10	114770-66010	1	SPRING, REGULATOR L40ARE-S, L40ARE-SE
11	114250-66200	1	SPRING, RETURN L40ARE-S, L40ARE-SE
12	183250-66500	1	BRACKET ASSY,REGULAT L40ARE-S, L40ARE-SE
13	183250-66050	1	.HANDLE, REGULATOR L40ARE-S, L40ARE-SE
14	183250-66070	1	.SHAFT, HANDLE L40ARE-S, L40ARE-SE
15	183250-66100	1	.BRACKET, REGULATOR L40ARE-S, L40ARE-SE
16	114250-66440	1	.BOLT L40ARE-S, L40ARE-SE
17	104200-66820	1	.SPRING L40ARE-S, L40ARE-SE
18	104200-66830	2	.PLATE, FRICTION L40ARE-S, L40ARE-SE
19	104200-66850	1	.WASHER (B) L40ARE-S, L40ARE-SE
20	26696-100002	1	.LOCK NUT M10 L40ARE-S, L40ARE-SE
21	26757-060002	1	.NUT M 6 L40ARE-S, L40ARE-SE
22	114354-66550	1	TORQUE SPRING ASSY L40ARE-S, L40ARE-SE
27	22451-060000	2	WIRE 0.6 L40ARE-S, L40ARE-SE
28	26106-060452	1	BOLT M 6X 45 PLATED L40ARE-S, L40ARE-SE
29	26476-060142	1	BOLT M 6X 14,TAPPING L40ARE-S, L40ARE-SE
30	26696-100002	1	LOCK NUT M10 L40ARE-S, L40ARE-SE
31	114260-76050	1	STARTER ASSY, RECOIL L40ARE-S, L40ARE-SE
32	114260-76250	1	.RE-COIL STARTER L40ARE-S, L40ARE-SE
33	114260-76520	1	..CASE, STARTER L40ARE-S, L40ARE-SE
34	160260-76520	1	..REEL L40ARE-S, L40ARE-SE
35	160260-76530	1	..RATCHET L40ARE-S, L40ARE-SE
36	160260-76540	1	..SPRING, SPIRAL L40ARE-S, L40ARE-SE
37	160260-76550	1	..WASHER L40ARE-S, L40ARE-SE
38	160260-76560	1	..SPRING, FRICTION L40ARE-S, L40ARE-SE
39	160290-76570	1	..SPRING, RETURN L40ARE-S, L40ARE-SE
40	160260-76580	1	..COVER, SPRING L40ARE-S, L40ARE-SE
41	160260-76590	1	..PLATE, FRICTION L40ARE-S, L40ARE-SE
42	160260-76600	1	..CIRCLIP(E) L40ARE-S, L40ARE-SE
44	160260-76620	1	...KNOB, STARTER L40ARE-S, L40ARE-SE
45	160260-76630	1	...ROPE, STARTER L40ARE-S, L40ARE-SE

46	114250-76590	1	.PULLEY, STARTER L40ARE-S, L40ARE-SE
47	114250-76600	1	PLUNGER L40ARE-S, L40ARE-SE
48	114250-76610	1	HOLDER L40ARE-S, L40ARE-SE
49	26106-060082	4	BOLT M 6X 8 PLATED L40ARE-S, L40ARE-SE
50	26106-060122	3	BOLT M 6X 12 PLATED L40ARE-S, L40ARE-SE

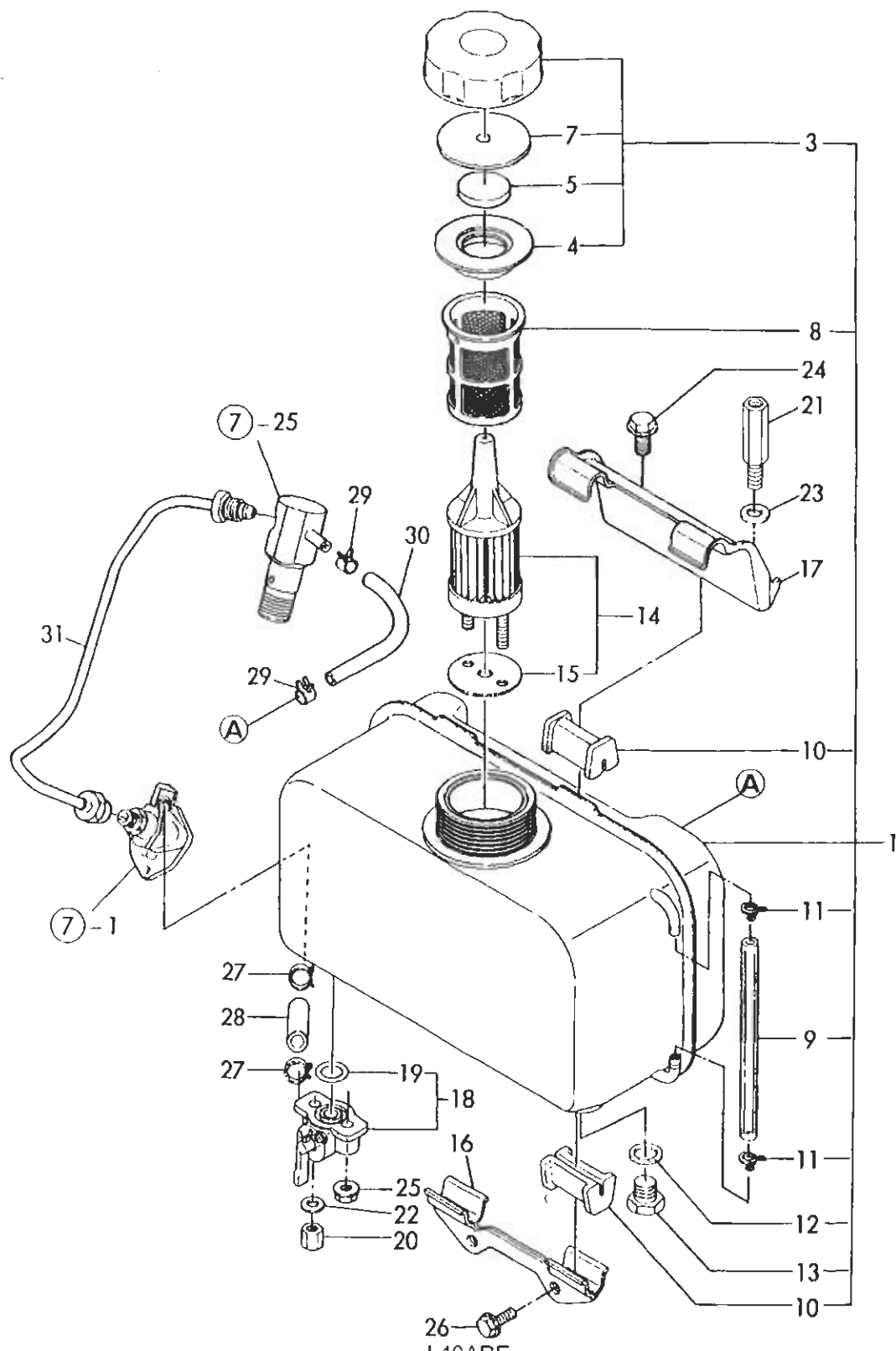
Fig. 7 FUEL INJECTION DEVICE



Unit Spec: FUEL INJECTION DEVICE (FIG7) L40ARE-S L40ARE-SE

Ref	Part #	Qty	Description
1	714250-51710	1	PUMP ASSY. F.INJECT. L40ARE-S, L40ARE-SE
2	105546-51020	1	.PACKING L40ARE-S, L40ARE-SE
3	114250-51080	1	.PLATE L40ARE-S, L40ARE-SE
4	114250-51150	1	.SNAP RING L40ARE-S, L40ARE-SE
5	114250-51160	1	.SPRING, F.I.PUMP L40ARE-S, L40ARE-SE
6	114250-51200	1	.BODY, F. I. PUMP L40ARE-S, L40ARE-SE
8	114250-51180	1	..JOINT L40ARE-S, L40ARE-SE
9	114250-51190	1	..O-RING L40ARE-S, L40ARE-SE
11	114250-51300	1	.VALVE ASSY.DELIVERY L40ARE-S, L40ARE-SE
14	105546-51330	1	.SPRING, DELIV. VALVE L40ARE-S, L40ARE-SE
15	114250-51340	1	.HOLDER, F.I.P.DELIVE L40ARE-S, L40ARE-SE
16	124550-51350	2	.GASKET, DELIVERY L40ARE-S, L40ARE-SE
17	114250-51600	1	.LEVER ASSY, CONTROL L40ARE-S, L40ARE-SE
21	114250-51640	1	.SEAT (A), SPRING L40ARE-S, L40ARE-SE
22	114250-51650	1	.SEAT (B), SPRING L40ARE-S, L40ARE-SE
23	22351-020006	2	.SPRING PIN 2X 6 L40ARE-S, L40ARE-SE
24	22351-030008	1	.SPRING PIN 3X 8 L40ARE-S, L40ARE-SE
25	714250-53101	1	VALVE ASSY, F.INJECT L40ARE-S, L40ARE-SE
26	114250-53001	1	.NOZZLE ASSY,F.INJECT L40ARE-S, L40ARE-SE
29	114250-53080	1	.NUT, NOZZLE CASE L40ARE-S, L40ARE-SE
30	114250-53120	1	.SPRING, NOZZLE L40ARE-S, L40ARE-SE
31	114250-53130	1	.SEAT, NOZZLE SPRING L40ARE-S, L40ARE-SE
32	114250-53140	1	.PLATE, STOP L40ARE-S, L40ARE-SE
33	114250-53210	2	.PIN L40ARE-S, L40ARE-SE
34	114250-53300	1	.HOLDER ASSY, NOZZLE L40ARE-S, L40ARE-SE
37	114250-53331	1	..PIN, SPRING L40ARE-S, L40ARE-SE
38	114250-53400	1	.SHIM PACK L40ARE-S, L40ARE-SE

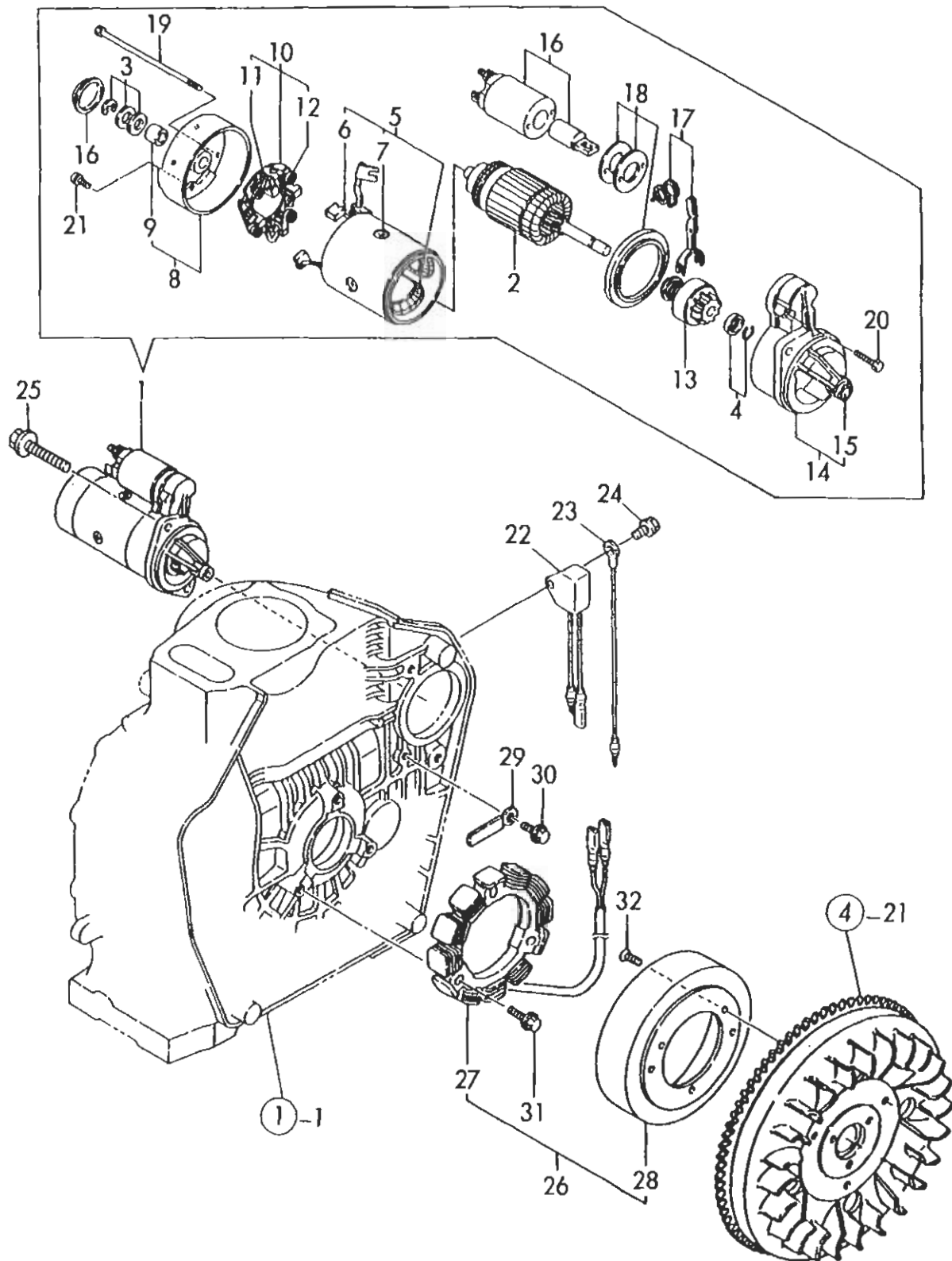
Fig. 8 FUEL TANK & FUEL LINE



Unit Spec: FUEL TANK & FUEL LINE (FIG8) L40ARE-S L40ARE-SE

Ref	Part #	Qty	Description
1	714250-55701	1	TANK ASSY, FUEL L40ARE-S, L40ARE-SE
3	114250-55041	1	.CAP, FUEL TANK L40ARE-S, L40ARE-SE
4	114250-55050	1	..GASKET L40ARE-S, L40ARE-SE
5	114250-55060	1	..SEAL L40ARE-S, L40ARE-SE
7	114250-55080	1	..SHEET, FUEL CAP L40ARE-S, L40ARE-SE
8	114250-55100	1	.FILTER, FUEL OIL L40ARE-S, L40ARE-SE
9	114250-55150	1	.PIPE, GAUGE L40ARE-S, L40ARE-SE
10	114250-55201	4	.DAMPER L40ARE-S, L40ARE-SE
11	124722-59050	2	.CLAMP 9 L40ARE-S, L40ARE-SE
12	23414-120000	1	.GASKET 12, ROUND L40ARE-S, L40ARE-SE
13	23887-120002	1	.PLUG 12,HEX. L40ARE-S, L40ARE-SE
14	114250-55120	1	FILTER, FUEL OIL L40ARE-S, L40ARE-SE
15	114250-55130	1	.GASKET L40ARE-S, L40ARE-SE
16	114250-55211	1	STAY (A) L40ARE-S, L40ARE-SE
17	114250-55231	1	STAY (B) L40ARE-S, L40ARE-SE
18	114250-55300	1	COCK ASSY, FUEL L40ARE-S, L40ARE-SE
19	24341-000150	1	.O-RING 1A S-15.0 L40ARE-S, L40ARE-SE
20	114252-55800	1	NUT L40ARE-S, L40ARE-SE
21	114650-55810	1	BOLT L40ARE-S, L40ARE-SE
22	22117-060000	1	WASHER 6 L40ARE-S, L40ARE-SE
23	22117-080000	1	WASHER 8 L40ARE-S, L40ARE-SE
24	26106-080452	1	BOLT M 8X 45 PLATED L40ARE-S, L40ARE-SE
25	26366-060002	1	NUT M 6 L40ARE-S, L40ARE-SE
26	26476-060142	2	BOLT M 6X 14,TAPPING L40ARE-S, L40ARE-SE
27	106990-44660	2	CLAMP L40ARE-S, L40ARE-SE
28	114250-59050	1	PIPE, FUEL OIL L40ARE-S, L40ARE-SE
29	124722-59050	2	CLAMP 9 L40ARE-S, L40ARE-SE
30	114250-59060	1	PIPE, FUEL RETURN L40ARE-S, L40ARE-SE
31	114250-59800	1	PIPE, FUEL INJECTION L40ARE-S, L40ARE-SE

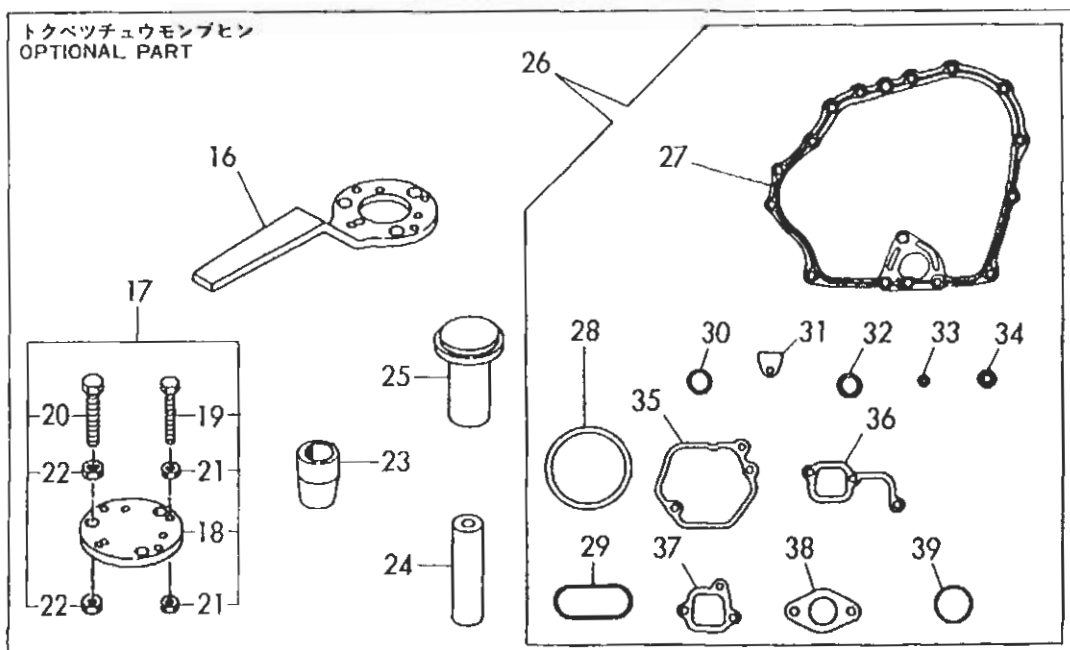
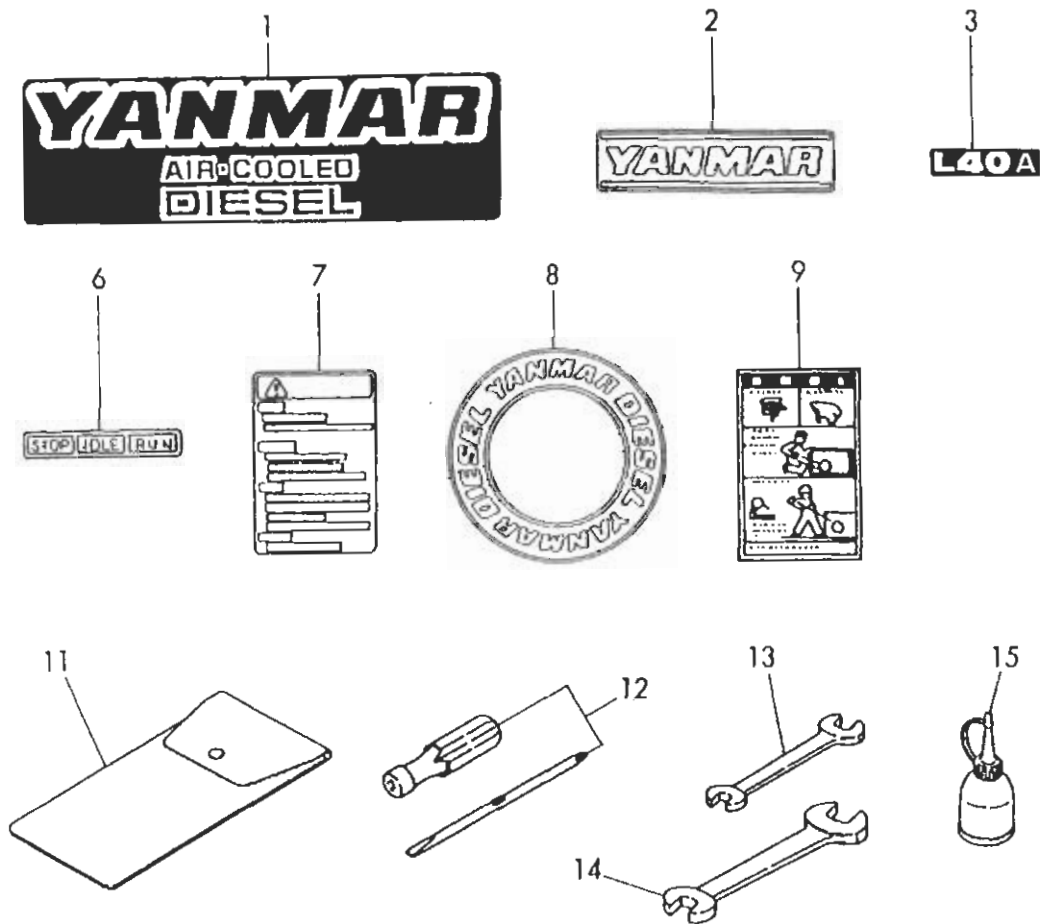
Fig. 9 STARTING MOTOR & DYNAMO



Unit Spec: STARTING MOTOR & DYNAMO (FIG9) L40ARE-SE

Ref	Part #	Qty	Description
1	114362-77010	1	STARTER MOTOR (DE) L40ARE-SE
2	X211461104	1	.ARMATURE (DE) L40ARE-SE
3	X21148110	1	.WASHER SET, THRUST L40ARE-SE
4	X21147155	1	.STOPPER SET, PINION L40ARE-SE
5	X211412105	1	..FIELD COIL ASSY L40ARE-SE
6	X21145312	2	..BRUSH (+) L40ARE-SE
7	X21143215	4	..SCREW, CORE L40ARE-SE
8	X211473002	1	.COVER, REAR L40ARE-SE
9	X21145352	1	..METAL L40ARE-SE
10	X211489001	1	.HOLDER ASSY, BRUSH L40ARE-SE
11	X21148313	1	..BRUSH (-) L40ARE-SE
12	X21149314	3	..SPRING, BRUSH L40ARE-SE
13	X211445508	1	.PINION ASSY (DE) L40ARE-SE
14	X211416603	1	.HOUSING L40ARE-SE
15	X21145352	1	..METAL L40ARE-SE
16	X211478006	1	.KIT, DUST COVER L40ARE-SE
17	X211456013	1	.LEVER, KIT SHIFT L40ARE-SE
18	X211427501	1	.SWITCH ASSY, MAGNET L40ARE-SE
19	X211468005	2	.BOLT, THROUGH L40ARE-SE
20	X21145867	2	.BOLT 6 L40ARE-SE
21	X21142835	1	.SCREW SET L40ARE-SE
22	160970-77350	1	RECTIFIER L40ARE-SE
23	183350-77400	1	WIRE, LEAD L40ARE-SE
24	26106-060122	1	BOLT M 6X 12 PLATED L40ARE-SE
25	26106-100302	2	BOLT M10X 30 PLATED L40ARE-SE
26	114351-78250	1	DYNAMO ASSY. L40ARE-SE
27	114351-78750	1	.STATOR ASSY. L40ARE-SE
28	114351-78760	1	.WHEEL, DYNAMO L40ARE-SE
29	160710-78710	1	CLAMP, CORD L40ARE-SE
30	26476-060142	1	BOLT M 6X 14, TAPPING L40ARE-SE
31	26476-060202	3	BOLT M 6X 20 L40ARE-SE
32	26577-060142	3	SCREW M 6X 14 L40ARE-SE

Fig. 10 LABEL, TOOL & GASKET SET



Unit Spec: LABEL, TOOL & GASKET SET (FIG10) L40ARE-S L40ARE-SE

Ref	Part #	Qty	Description
1	114250-07090	1	LABEL,AIR COOLED L40ARE-S, L40ARE-SE
2	114250-07110	1	LABEL, YANMAR DIESEL L40ARE-S, L40ARE-SE
3	114278-07020	1	LABEL(L40A) L40ARE-S, L40ARE-SE
6	183250-07230	1	LABEL,POSITION SHIFT L40ARE-S, L40ARE-SE
7	114268-07240	1	LABEL, CAUTION L40ARE-S, L40ARE-SE
8	114250-07350	1	LABEL, DIESEL L40ARE-S, L40ARE-SE
9	114268-07350	1	LABEL, HOW TO START L40ARE-S, L40ARE-SE
11	114250-92600	1	BAG, TOOL L40ARE-S, L40ARE-SE
12	160330-92730	1	SCREWDRIVER L40ARE-S, L40ARE-SE
13	28110-100120	1	WRENCH 10X12 L40ARE-S, L40ARE-SE
14	28110-140170	1	WRENCH 14X17 L40ARE-S, L40ARE-SE
15	28210-000150	1	FEEDER, OIL L40ARE-S, L40ARE-SE
16	114250-92101	1	F.W. LOCKING HANDLE L40ARE-S, L40ARE-SE
17	114250-92130	1	REMOVER, ASSY.FLYWHE L40ARE-S, L40ARE-SE
18	114250-92121	1	.REMOVER, FLYWHEEL L40ARE-S, L40ARE-SE
19	26116-060454	4	.BOLT M 6X 45 PLATED L40ARE-S, L40ARE-SE
20	26116-080454	3	.BOLT M 8X 45 PLATED L40ARE-S, L40ARE-SE
21	26716-060002	8	.NUT M6 L40ARE-S, L40ARE-SE
22	26716-080002	6	.NUT M 8 L40ARE-S, L40ARE-SE
23	114250-92301	1	GUIDE, OIL SEAL L40ARE-S, L40ARE-SE
24	114250-92311	1	INSTALLING TOOL L40ARE-S, L40ARE-SE
25	114250-92350	1	INSTALLING TOOL L40ARE-S, L40ARE-SE
26	714250-92602	1	GASKET SET L40ARE-S, L40ARE-SE
27	114250-01340	1	.GASKET, CYL. HEAD L40ARE-S, L40ARE-SE
28	114250-01380	1	.O-RING L40ARE-S, L40ARE-SE
29	114250-01412	1	.GASKET, CRANK CASE L40ARE-S, L40ARE-SE
30	24311-000180	2	.O-RING 1A P-18.0 L40ARE-S, L40ARE-SE
31	114250-01840	1	.GASKET L40ARE-S, L40ARE-SE
32	43400-500490	2	.SEAL WASHER 16S L40ARE-S, L40ARE-SE
33	114250-11340	2	.SEAL, VALVE STEM L40ARE-S, L40ARE-SE
34	114250-11460	1	.GASKET, NOZZLE L40ARE-S, L40ARE-SE
35	114250-11310	1	.GASKET, BONNET L40ARE-S, L40ARE-SE
36	114250-12200	1	.GASKET, AIR INTAKE L40ARE-S, L40ARE-SE
37	114250-12210	1	.GASKET, AIR CLEANER L40ARE-S, L40ARE-SE
38	114250-13200	1	.GASKET, SILENCER L40ARE-S, L40ARE-SE
39	103338-32570	1	.O-RING L40ARE-S, L40ARE-SE