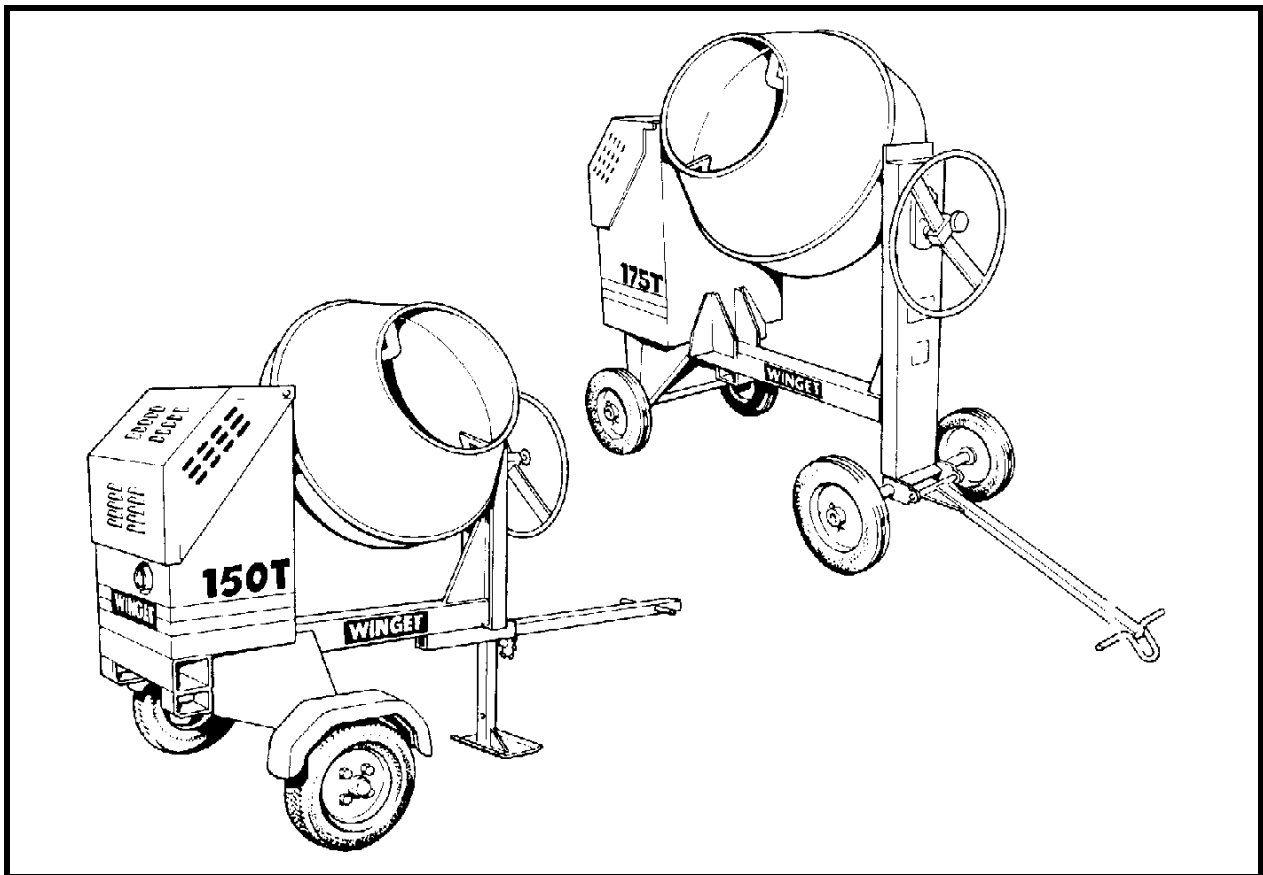


WINGET

WORKSHOP MANUAL 100T, 150T & 175T HANDFED MIXERS



WINGET LIMITED

PO BOX 41
EDGEFOLD INDUSTRIAL ESTATE
PLODDER LANE
BOLTON
LANCS
BL4 OLR

Tel: ++ 44 (0) 1204 854650

service@winget.co.uk

parts@winget.co.uk
www.winget.co.uk

ISSUE 12 2018

**WORKSHOP MANUAL
100T / 150T / 175T
Winget Concrete Mixers
From 1988 Onwards
Issue 12 2018**

CONTENTS

| | |
|-----------|--------------------------------|
| Section 1 | Introduction |
| Section 2 | Repair and Service Procedures |
| Section 3 | General Arrangement Dimensions |
| Section 4 | Service Schedules |
| Section 5 | Lubrication Diagram |
| Section 6 | Wiring Diagrams |
| Section 7 | Noise Levels |
| Section 8 | Special Tools |
| Section 9 | Parts Listings |

WORKSHOP MANUAL

100T, 150T & 175T

SECTION 1

INTRODUCTION

WORKSHOP MANUAL
100T / 150T / 175T
Winget Concrete Mixers
From 1988 Onwards
Issue 12 2018

Introduction

It is assumed that personnel involved in either the assembly or repair of Winget Mixers will be familiar with the product, either through the operation of, or previous repair and maintenance work. It is not intended to be used by personnel who are neither familiar with the product nor mechanically inexperienced.

It is also assumed that personnel are aware of Health and Safety Regulations, which should be applied to all working practices but the following should act as a reminder.

Ensure all work tools are in good condition.

Always wear Safety Spectacles when using soft or hard faced hammers, chisels or when using air tools. Wear Safety Spectacles when cleaning hardened concrete or mortar deposits off components. Do not misuse airlines and be aware of the damage compressed air can cause if misused.

Always make sure lifting equipment is in good condition and the marked Safe Working Loads exceed the weights of the components to be lifted.

Oils, fuels, silicone sealers and open gear lubricants can cause skin diseases if allowed to contaminate the skin. Always apply barrier creams, wear suitable protective clothing, or when contamination is unavoidable clean the area with soap and water as soon as possible. Do not use thinners or other solvents to clean skin.

Health and Safety is a matter of common sense. If common sense is applied correctly Health and Safety can be improved and the risk of accidents reduced.

L/H and R/H views are taken when standing directly behind and facing the engine housing.

Refer to the Parts Books for a guide to the correct sequence for assembling components and sub-assemblies.

Whilst every effort is made to ensure the contents of this manual are accurate, Winget Limited reserve the right to alter specification without prior notification and certain sections may then no longer apply.

WORKSHOP MANUAL

100T, 150T & 175T

SECTION 2

**REPAIR & SERVICE
PROCEDURES**

WORKSHOP MANUAL
100T / 150T / 175T
Winget Concrete Mixers
From 1988 Onwards
Issue 12 2018

Repair & Maintenance Procedures

The following procedures are based in part on the procedures issued to Distributors and the instructions should be used in conjunction with the appropriate Parts and Operators Manual or CD ROM. Reference should also be made to the Parts Listings in Section 9 for a guide to the correct sequence for assembling components and sub assemblies.

- 1) Clean any paint or debris from bores and shaft surfaces. Threaded holes should preferably be cleaned out using the correct tap
- 2) All sealed for life bearings should be packed with a good quality grease prior to installation. Carefully remove a seal, pack the bearing with grease and refit the seal ensuring it is correctly seated.
- 3) Apart from installing the electric motor, mounting brackets and conduit as described in this manual under the heading '110 volt & 240 volt single phase Electric Motor.' All wiring and other work concerned with the installation of 110 volt and 240 volt components and supply should be left to a suitably qualified electrician, who is conversant with single phase electric circuits.
- 4) The PTO of the Honda GX160K1 LX4 Petrol engine rotates anti-clockwise whilst the Lister-Petter LT1/LV1, AC1-05, YANMAR L40/L48 ARE SE and the 240/110V electric motors all rotate clockwise. Therefore the drum blades and countershaft and sprocket fitted to Honda powered mixers are 'OPPOSITE HAND'. When ordering spares it is important that the correct part number and engine type are quoted. Blades, countershaft and sprockets intended for use with the Lister-Petter and Yanmar should not be used with Honda powered mixers and vice-versa.

WORKSHOP MANUAL
100T / 150T / 175T
Winget Concrete Mixers
From 1988 Onwards
Issue 12 2018

Lifting Points

A lifting point capable of supporting the weight of the mixer is incorporated into the trunnion.

This lifting point is highlighted with an ISO 'Hook' symbol adjacent to the point.

On Military/NATO mixers the lifting point will also be painted white.

Draw Bar Replacement-Four Wheel Tow

The drawbar is secured to the front axle using split pins and flat washers. Remove the split pins and flat washers slide the old drawbar out of the lugs on the front axle. Replacement is a reversal of the above procedures ensuring that the eye on the drawbar points downwards.

Wheel Replacement-Four Wheel Tow

Solid rubber cushion and steel wheels are secured using split pins and flat washers and the removal procedure is identical. Lift and support the axles. Remove the split pins and washers. Clean the axle shafts and coat with copper slip. Fit the new wheel replace the flat washer and secure using a new split pin.

Wheel Replacement-Two Wheel Tow

On two wheel tow mixers the pneumatic tyre/wheel assembly is secured to the hub/suspension unit by four nuts. To change a wheel, chock the wheel on the opposite side, slacken but do not remove the wheel nuts securing the wheel to be changed. Place a suitable jack below the suspension unit and jack up the mixer until the tyre is just clear off the ground, remove the nuts and wheel assembly. Reverse the procedure to refit and fully tighten the wheel nuts when the jack is removed.

It is recommended that the wheel nuts be rechecked following a short "road test"

Hub/Suspension Unit Replacement-Two Wheel Tow Mixers

The suspension units require no maintenance being a sealed unit having an internal construction of rubber and ends sealed with nylon bushes. Suspension units should not be subjected to heat such as welding or oxy-acetylene cutting as this will damage the rubber and nylon components.

WORKSHOP MANUAL
100T / 150T / 175T
Winget Concrete Mixers
From 1988 Onwards
Issue 12 2018

The suspension units are secured to the mainframe using six/eight bolts and nuts to remove, slacken the wheel nuts, jack up and support the mainframe on suitable supports. Do not attempt to work under the mainframe if it is supported only on a jack. Remove the wheel nuts and wheel assembly. Unbolt and remove the mudguard and supporting bracket. Remove the remaining bolts securing the suspension unit and detach the unit from the mainframe.

Note: it is recommended that suspension units be replaced in pairs.

Reverse the procedure to refit.

Wheel Hubs & Bearings-Two Wheel Tow

A single castle nut and flat washer retains the hubs to the stub axles of the suspension units. The castle nut is also secured with a split pin; this is accessible after removing the steel/plastic dust cap.

There are two types of hub bearings in use dependent on the age of the machine: -

The early type with ball race bearings and spacer, with this type the retaining nut must be fully tightened.

The later automotive type taper roller bearings requiring a small amount of end float.

To remove the hubs remove the wheels as described above, prise off the dust caps. Remove the split pin, nut and washer and pull off the hub. Do not allow the taper roller or ball bearings to drop to the floor where they will become contaminated with dust etc. The later type inner taper roller bearing and seal unit will normally be left on the stub axle when the hub is withdrawn, this can be carefully tapped off using a suitable drift taking care not to damage the bearing cage.

Clean all traces of old grease out of the hubs and off the stub axles, using a suitable drift knock out the old bearings, pack the new bearings with grease and tap home into the hub.

Assemble the hub and bearings onto the stub axle, in the case of the ball race bearings and spacer fully tighten the nut and insert the locking split pin. Check the hub rotates freely and fit the dust cap. Charge the hub with grease until the grease is visible in the breather hole in the cap.

WORKSHOP MANUAL
100T / 150T / 175T
Winget Concrete Mixers
From 1988 Onwards
Issue 12 2018

With taper roller bearings, tighten the nut then back off 1/4-1/2 a turn, check that the hub spins freely without too much end float, .004" is sufficient. Align the castle nut with the split pinhole in the stub axle and fit the retaining split pin. Recheck the hub rotates freely and refit the dust cap. Charge the hub with grease until the grease is visible in the breather hole in the cap.

It is recommended that the wheel bearing adjustment be rechecked after giving the mixer a short "road test".

Front Axle Replacement- Four Wheel Tow

Depending on the age of the mixer two different front axle assemblies are fitted.

Early Mixers

Early mixers have a swivel fitted to the front axle, which allows the axle to oscillate as well as rotate.

Jack up and support the mainframe so the front wheels are clear of the ground. Remove the circlips securing the pivot pin through the front axle and swivel bracket. Knock out the pivot pin and remove the axle. The swivel bracket is secured to the mainframe by a spiral pin, using a suitable drift knock out the pin and remove the swivel.

Replacement is a reversal of the above procedure however pins and shafts should be coated with copper slip on assembly. When fitting the spiral pin through the swivel bracket rotate the bracket through a full 360 degrees making sure the pin does not foul the mainframe. Fit new circlips and split pin.

Early 175T mixers have a separate bracket bolted to the mainframe into which the swivel is located. This is secured using four nuts, bolts and washers and can be removed once the axle and swivel have been removed as described above. Replacement is a reversal of this procedure.

Later Mixers

On later Mixers the front axle only rotates through 360°, it will not oscillate and the front axle now locates directly into the front leg of the mainframe where it is secured via a spiral pin.

Jack up and support the mainframe and knock out the spiral pin. Remove the axle. Replacement is a reversal of the procedure however the pivot pin and axle shafts should be coated with copper slip. The axle should be rotated through 360° degrees making sure the spiral pin does not foul the mainframe.

WORKSHOP MANUAL
100T / 150T / 175T
Winget Concrete Mixers
From 1988 Onwards
Issue 12 2018

Rear Axle-Four Wheel Tow

Early 175T mixers have a separate rear axle bolted to the mainframe. Jack up and support the mainframe with the rear wheels clear of the ground. Remove the nuts, bolts and washers securing the axle to the mainframe and remove the axle assembly.

Replacement is a reversal of the above procedure.

Drum Removal

Attach suitable lifting equipment through the drum blades. Knock back the tabs on the lock-washer securing the drum shaft setscrews. Remove the setscrews and the washers securing the shaft and flange. With the drum mouth upright lift the drum assembly clear of the trunnion. It may be necessary to rock the trunnion via the tiltwheel to free the shaft, especially if the mixer has been in service for some time.

In exceptional circumstances it may be necessary to use a commercially available two-leg puller/pusher tool to assist in pushing the drum shaft through the trunnion. When using such tools please ensure the manufacturers or supplier's instructions are adhered to.

Drum Re-Fitting

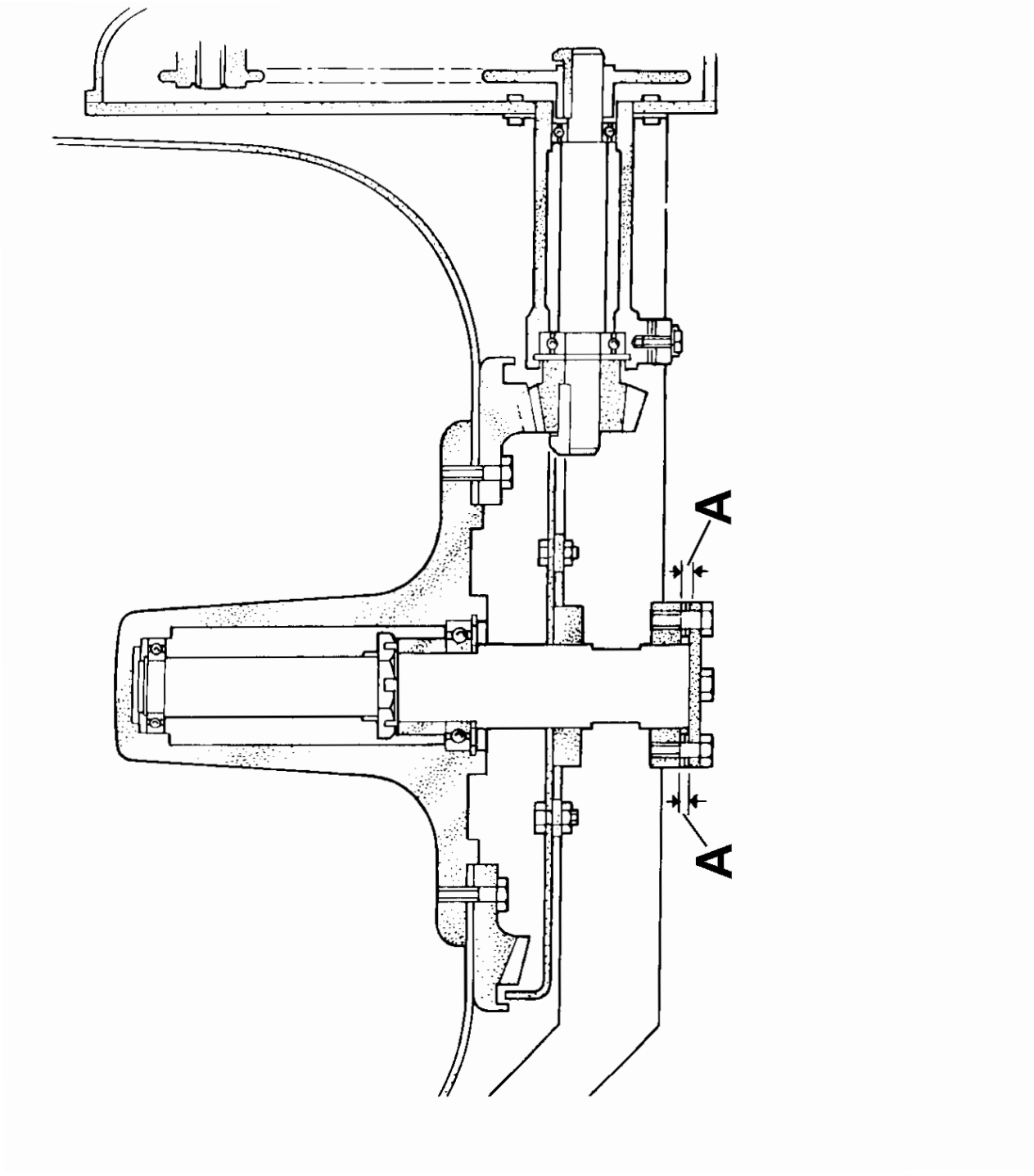
Clean and lubricate both the drum shaft and trunnion base plates with copperslip. Coat the bevel pinion and bevel gear with open gear lubricant. Attach suitable lifting equipment through the drum blades; lift the drum assembly and position over the trunnion.

Turn the drum shaft so the threaded holes in the shaft are at 90° to the holes in the lower base plate. Lower the drum and shaft assembly into place making sure that the bevel gear and pinion are fully in mesh and the drum shaft is fully through the base plates.

Slip the lockwasher over the two drum shaft setscrews and coat the threads with copperslip, using the setscrews secure the flange to the shaft. The flange can be used to turn the shaft until the remaining holes in the flange align with the remaining holes in the lower base plate.

Check the number of flat washers required to pack the gap between the flange and lower base plate. (See "A" on the following illustration). Deduct one washer from each side. Coat the threads on the setscrews with copperslip and fit the setscrews with spring washers attached through the flange and flat washers and

100T 150T 175T DRUM DRIVE LAYOUT



WORKSHOP MANUAL
100T / 150T / 175T
Winget Concrete Mixers
From 1988 Onwards
Issue 12 2018

tighten into the base Plate. This will lift the drum shaft slightly back through the trunnion increasing the distance between the teeth of the bevel pinion and bevel gear. Gently rock the drum assembly back and forth and check the backlash between the gears. (Approx 5mm measured at drum clip). Ensure the setscrews are tight and knock over the tabs on the lockwasher.

Drum Cone Replacement

NOTE: the drum on Honda powered mixers rotates anti-clockwise on all others the rotation is clockwise.

Clean hardened concrete or mortar deposits from around the drum clip and the bolts securing the drum blades. Remove the bolts securing the blades to the drum cone and slacken the bolts through the base. Cut through the drum clip and remove. Lift off the drum cone.

If necessary clean out the drum base. Clean old silicone sealer and hardened concrete from the drum flange otherwise it will be difficult to effect a good seal when the new cone is fitted.

Run a generous bead of silicone sealer around the flange and inside the new drum clip. Leave the last 150mm of each end of the clip free from sealer.

Using suitable lifting equipment lift the new drum cone in place lining up the holes in the cone with those in the blades. Loosely refit in the bolts, nuts and washers. Fit the new drum clip around the circumference of the two halves of the drum tapping in place over the flanges using a soft faced hammer.

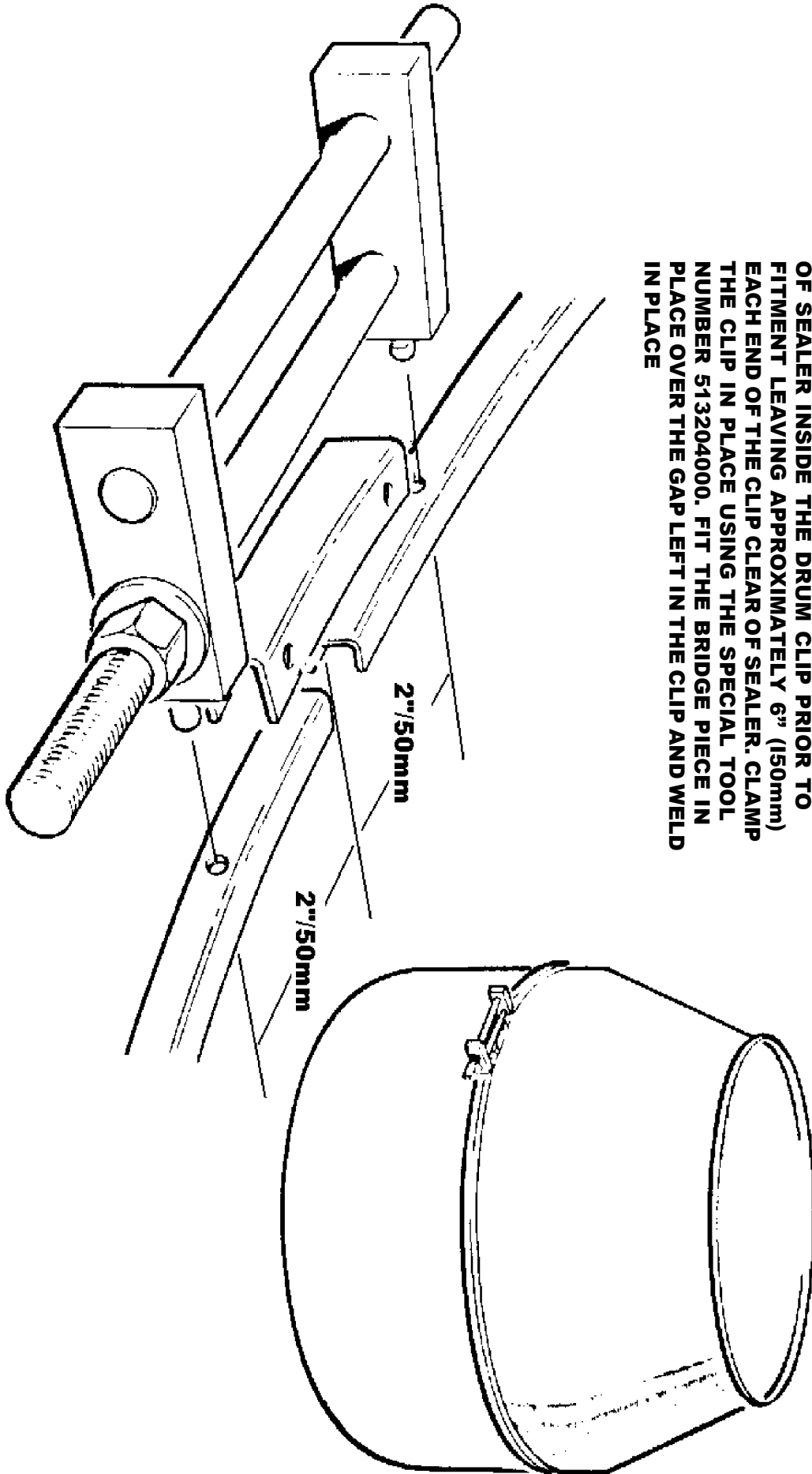
Attach the special drum clip tool; available under part number 513204000 from your local Winget distributor, placing the pins of the tool into the holes in each end of the clip. (Refer to the illustration)

Using a suitable spanner tighten the drum clip to the drum until it is secure. Do not overtighten the clip or the pins in each end of the tool will shear off. Slip the bridge piece over the remaining gap in the drum clip and weld in place. Remove the tool and fully tighten the drum blades.

Run the mixer, tilting the drum via the tiltwheel making sure that the drum, clip or bridge piece, do not foul the mainframe or guards. Check the watertight integrity of the drum by emptying a bucket of water into the drum whilst the drum is tilted and the engine is running and observe if water leaks around the clip are evident. If leaks are evident run a bead of silicone around the interior joint between the two halves of the drum.

Stop the engine; clean any excess silicone off the drum or clip.

100T 150T 175T DRUM CLIP FIXING



AFTER COATING THE MATING FACES OF THE DRUM BASE AND CONE WITH SILICONE SEALER FIT THE CLIP AROUND THE DRUM AS SHOWN. RUN A BEAD OF SEALER INSIDE THE DRUM CLIP PRIOR TO FITMENT LEAVING APPROXIMATELY 6" (150mm) EACH END OF THE CLIP CLEAR OF SEALER. CLAMP THE CLIP IN PLACE USING THE SPECIAL TOOL NUMBER 513204000. FIT THE BRIDGE PIECE IN PLACE OVER THE GAP LEFT IN THE CLIP AND WELD IN PLACE

WORKSHOP MANUAL
100T / 150T / 175T
Winget Concrete Mixers
From 1988 Onwards
Issue 12 2018

Drum Blade Replacement

NOTE: the drum on Honda powered mixers rotates anti-clockwise. on all others the rotation is clockwise, therefore Honda powered mixers use different blades.

It is unlikely that drum blades will require replacement separately to the drum cone. However in the event that it should prove necessary, clean any hardened concrete or mortar deposits from around the bolts securing the blades. Remove the bolts and blades. Due to the corrosive action of concrete and mortar it may be necessary to cut through the old bolts using oxyacetylene equipment. Be aware that hot concrete can “explode” violently spitting concrete - wear suitable eye protection and protective clothing.

Attach the new blades into the drum assembly finger tighten the bolts until all the bolts are in place. Tighten the bolts.

The bolts should go into the drum from the outside and only round headed bolts, either slotted or hexagon key should be used.

Bevel Gear Guard Replacement

Remove the drum assembly as previously described. Remove the four setscrews, nuts, etc. holding the guard in place. Fit the new guard tighten the setscrews. Replace the drum assembly as previously described.

Bevel Gear Replacement

Remove the drum assembly as previously described. Turn the drum so that it stands on the drum mouth, support the centre housing on the inside of the drum or attach lifting equipment to the drum shaft so that the centre housing cannot fall inside the drum when the bevel gear is removed.

Release the lockwashers and remove the setscrews securing the bevel gear, prise off the bevel gear and clean down the surface of the drum ready to accept a replacement. Fit the new bevel gear, slip new lockwashers on to the setscrews, coat the threads with copperslip and enter through the bevel gear into the centre housing.

Turn the tang on the lockwashers so that the tang can be turned down the inside of the bevel gear. Tighten the setscrews and bend the rounded edge of the lockwashers over the flats on the head of the setscrews. Coat the bevel gear with open gear lubricant. Refit the drum assembly as previously described.

WORKSHOP MANUAL
100T / 150T / 175T
Winget Concrete Mixers
From 1988 Onwards
Issue 12 2018

Drum Shaft, Bearings and Drum Centre

Remove the drum assembly as described previously. Lay the drum assembly on its side and release the lockwashers. Support the centre housing and remove the setscrews, which pass through the bevel gear and prise off the bevel gear. Carefully lower the centre housing into the drum. Lift the Housing out of the drum and clean down the mating surfaces in the drum removing all traces of the old gasket and sealer.

Clean the centre housing prior to any further dismantling. Remove the large circlip from the groove within the centre housing and using a suitable tool pull the drum shaft assembly out of the housing. If a suitable tool is not available secure the drum shaft in a soft jawed vice and using a soft faced hammer knock the housing off the shaft taking care not to damage the housing. Clean any debris out of the housing and inspect for damage.

Secure the drum shaft upright in a soft jawed vice remove the upper circlip and bearing. Release the lockwasher and remove the nut, lockwasher and distance piece. Remove the lower bearing.

Before fitting new bearings carefully remove the seals from the bearings and pack the bearings with good quality grease, refit the seals, do not completely fill the bearings with grease leave some room for expansion as the grease warms up in service.

Re-assemble the shaft in reverse order making sure the lockwasher is correctly fitted and locked onto the nut.

Smear the circumference of the bearings with copperslip and using a soft faced hammer knock the shaft assembly fully home into the housing. Refit the circlip into the groove within the housing.

Place a new gasket over the housing, locate the housing assembly into the drum and temporarily support in place.

Refit the bevel gear as previously described. Remove the supports from below the centre housing inside the drum. Refit the drum assembly as previously described.

Tilting Wheel and Locking Plunger

The tilting wheel is secured to the tilting pinion via a spiral pin, later versions also have an additional M10 grubscrew. With the drum in the vertical position knock out the spiral pin, slacken the grubscrew, if fitted, and pull off the tilting wheel.

WORKSHOP MANUAL
100T / 150T / 175T
Winget Concrete Mixers
From 1988 Onwards
Issue 12 2018

The locking plunger is held in place in the tilting wheel by a second smaller spiral pin. Knock out this pin and remove the locking plunger and spring.

Re-assemble in the reverse order coating the locking plunger and pinion shaft with copperslip. Lubricate the felt seal behind the tilting wheel with oil.

Note: Later larger diameter tilting wheels also have an M10 grub screw fitted in addition to the spiral pin.

Tilting Bracket

With the drum in the vertical position, place temporary supports between the mainframe and trunnion to support the trunnion when the tilting bracket is removed.

Remove the upper tilting gear guard. Remove the four socket headed capscrews securing the tilting bracket taking care not to drop the retaining bracket on the inside of the mainframe front leg. Pull off the tilting bracket assembly. Check the felt seal in the tilting gear replace and/or lubricate as required.

Knock out the spiral pin securing the tilting wheel to the tilting pinion. Pull off the tilting wheel and pull the pinion out of the bracket. Check the condition of the bushes and felt seals. Replace and/or lubricate as required. The stub shaft is also secured into the tilting bracket via a spiral pin and can be removed simply by knocking out the pin.

Reassemble the tilting bracket in reverse order lubricating bushes and felt seals with engine oil. Coat shafts, pinions and plungers with copperslip.

When refitting the tilting bracket assembly to the mixer, engage and lock the plunger into the middle of the three bushed blind holes. Locate the stub shaft into the tilting gear and ensuring that the tilting pinion correctly meshes with the tilting gear push the assembly fully home. Coat the threads on the four capscrews with thread lock, insert through the tilting bracket, mainframe and into the retaining bars which should be held in position until the capscrews are engaged. Tighten the capscrews. Check that with the drum vertical that the cross ties on the tilting wheel are horizontal. Refit the upper tilting gear guard. Remove the temporary supports.

Tilting Gear and Lower Guard

Remove the tilting bracket as described previously. Undo and remove the four setscrews securing the guard to the mainframe. Undo and remove the four nyloc

WORKSHOP MANUAL
100T / 150T / 175T
Winget Concrete Mixers
From 1988 Onwards
Issue 12 2018

nuts and flat washers holding the gear. Push the bolts back through the gear, slide the gear forward and lift clear of the mainframe. Lift off the lower guard.

Reassemble in reverse order not forgetting to put the guard behind the gear. Lubricate the felt seal.

Refit the tilting bracket as previously described.

Countershaft/Bevel Pinion Drive Chain.

Remove the chain guard from the rear of the trunnion. Crank the engine over until the chain split link is visible. Disconnect the link. Hook the new chain loosely onto the split link and slowly crank the engine pulling the new chain in place round the countershaft chain wheel. Remove the old chain and link. Loop the new chain round the chain wheel on the bevel pinion shaft and fit the new split link. The open end of the split end should point away from the normal direction of rotation, which is anti-clockwise when looking directly at the chain, clockwise on Honda powered mixers. Check and adjust the chain tension. (See bevel pinion shaft and housing). Refit the chain guard.

Bevel Pinion Shaft and Housing

Follow the procedures described earlier and remove the drum, bevel gear guard and disconnect the countershaft bevel pinion drive chain.

Rotate the trunnion until it reaches its highest point and lock in place. Remove the gib head key securing the chain wheel to the bevel pinion shaft. Remove the bevel pinion guard, release the lockwashers and remove the setscrews, packers and shims securing the bevel pinion housing. At this point the housing should either be supported by a second pair of hands, strapped or supported in some other manner to prevent it dropping down sharply and causing damage to the casting, it will otherwise only be secured by the loose fitting retaining plate and chain wheel.

Remove the nuts and washer from the two bolts retaining the bevel pinion housing adjusting plate. Using a soft faced hammer knock the bevel pinion shaft through the chain wheel until it is possible to remove the chain wheel. Remove the bolts through the retaining plate and lift the housing out of the trunnion.

Clamp the housing in a soft jawed vice and remove the gib head key retaining the bevel pinion and pull off the pinion.

WORKSHOP MANUAL
100T / 150T / 175T
Winget Concrete Mixers
From 1988 Onwards
Issue 12 2018

Remove the circlip from the groove within the housing and using a soft faced hammer knock the shaft and bearings out of the housing. The bearings can now be removed from the shaft.

Before fitting new bearings carefully remove the seals from the bearings and pack the bearings with good quality grease, refit the seals, do not completely fill the bearings with grease leave some room for expansion as the grease warms up in service.

To reassemble secure the bevel pinion shaft into a soft jawed vice. Using the correct size of bearing tube and a soft faced hammer fit the bearings to the shaft. Note the larger of the two bearings is fitted to the longer shank of the shaft. Remove the shaft from the vice and using the vice support the bevel pinion housing. Using the correct size of bearing tube and the soft faced hammer knock the shaft fully into the housing. Fit the retaining circlip into the groove within the housing and check the shaft turns freely.

Assemble the bevel pinion to the shaft, fitting the gib head key. The pinion is fitted to the longer shank of the shaft. If correctly assembled the threaded holes in the casting will be at the same end. Do not at this stage fit the chain wheel to the opposite end of the bevel pinion assembly, as this will prevent reassembly of the housing into the trunnion.

Loosely fit the triangular adjusting plate back into the trunnion, locating the plate on the peg. Fit the two bolts through the adjusting plate from the rear of the trunnion so that when assembled the head of the bolts will be sandwiched between the trunnion rear plate and the chain wheel.

Work the bevel pinion housing back into the trunnion and through the adjusting plate. As the shaft protrudes through the rear of the trunnion slide on the chain wheel until it is fully home.

Refit the setscrews, lockwashers, packer and shim set retaining the bevel pinion housing and finger tighten only.

Fit the gib head key retaining the chainwheel and refit the drive chain, when connecting the split link the open end of the link should be fitted so that it points away from the normal direction of rotation which is anti-clockwise when looking directly at the chain, clockwise on Honda powered mixers.

Release the trunnion and turn back to its lowest position. The adjusting plate holding the rear of the bevel pinion housing is slotted to allow the housing to move up and down enabling correct adjustment of the chain tension. Check and adjust the chain and tighten the two bolts securing the adjusting plate. By adding

WORKSHOP MANUAL
100T / 150T / 175T
Winget Concrete Mixers
From 1988 Onwards
Issue 12 2018

or subtracting shims between the thick packer and housing ensure the housing is horizontal in the trunnion and square to the rear plate. Re-check the chain tension and fully tighten the bolts and setscrews securing the housing, knock over the lockwashers.

Crank the engine ensuring both the countershaft and bevel pinion turn freely. Coat the bevel pinion with grease or open gear lubricant and fit the pinion guard. Fit the rear chain guard folding the tab over the trunnion.

Following the procedures described earlier refit the bevel gear guard and drum assembly.

**Countershaft, Trunnion Journal, Bearing Housing & Driven Chain wheel/
“V” Belt Pulley**

Although it is recommended that the trunnion be removed completely from the mixer should the countershaft, trunnion journal or bearing housing require attention it is possible to leave the trunnion assembly in place provided it is properly supported.

Remove the drum as described previously. Remove the engine housing lid (top plate on 175T), engine housing chain guard and trunnion chain guard. Disconnect both drive chains.

On 110/240v electric drive, Lister-Petter AC1-05, Yanmar L40/L48 electric start diesel and Honda Petrol mixers the drive is transmitted to the countershaft by means of a ‘V’ belt in place of the chain.

Remove the six setscrews securing the trunnion bracket to the engine housing, remove the four countersunk socket headed screws and lift off the trunnion journal assembly.

Support the assembly in a soft jawed vice, remove the gib head key retaining the countershaft chain wheel and remove the chain wheel. Lift off the trunnion bracket; carefully remove the trunnion bearing and strip out the “O” rings and nylatron strip.

Using a soft faced hammer knock the countershaft out of the trunnion journal. Remove the bearing and circlip from within the journal housing.

Secure the countershaft in a soft faced vice, remove the grubscrew and unscrew the chain wheel, remove the bearing. Note: On mixers fitted with Lister-Petter LT1/LV1, Yanmar L40/L48 and 240/110V the countershaft and chain wheel have a LH thread, on Honda powered mixers the thread is RH.

WORKSHOP MANUAL
100T / 150T / 175T
Winget Concrete Mixers
From 1988 Onwards
Issue 12 2018

Reassembly

Fit the circlip into the groove within the trunnion journal and lubricate the outer circumference/bearing face with copperslip.

Insert the nylatron bearing strip into the trunnion bearing, fit the “O” rings into their respective grooves within the bearing housing and pack the “O” ring grooves and nylatron bearing with grease. (Refer to the illustration to identify the “O” rings and their location)

Carefully fit the trunnion bearing over the trunnion journal taking care not to dislodge the “O” rings or damage the trunnion bearing. Before fitting new bearings carefully remove the seals from the bearings and pack the bearings with good quality grease, refit the seals, do not completely fill the bearings with grease leave some room for expansion as the grease warms up in service.

Secure the countershaft in a soft jawed vice and using the correct size of bearing tube and a soft faced hammer fit the larger of the two bearings to the threaded end of the countershaft. Apply threadlock to the threads and screw on and tighten the countershaft chain wheel. Peen the end of the shaft in four points as an additional precaution to prevent the chain wheel unscrewing. Fit the grubscrew coating the threads with threadlock.

Insert the smaller bearing into the journal making sure it seats against the circlip.

Support the trunnion journal/trunnion bearing assembly in a soft jawed vice and using a soft faced hammer knock the countershaft assembly into the journal taking care not to dislodge the lower bearing. Remove the completed assembly and check the countershaft turns freely. Feed the short drive chain onto the countershaft chain wheel.

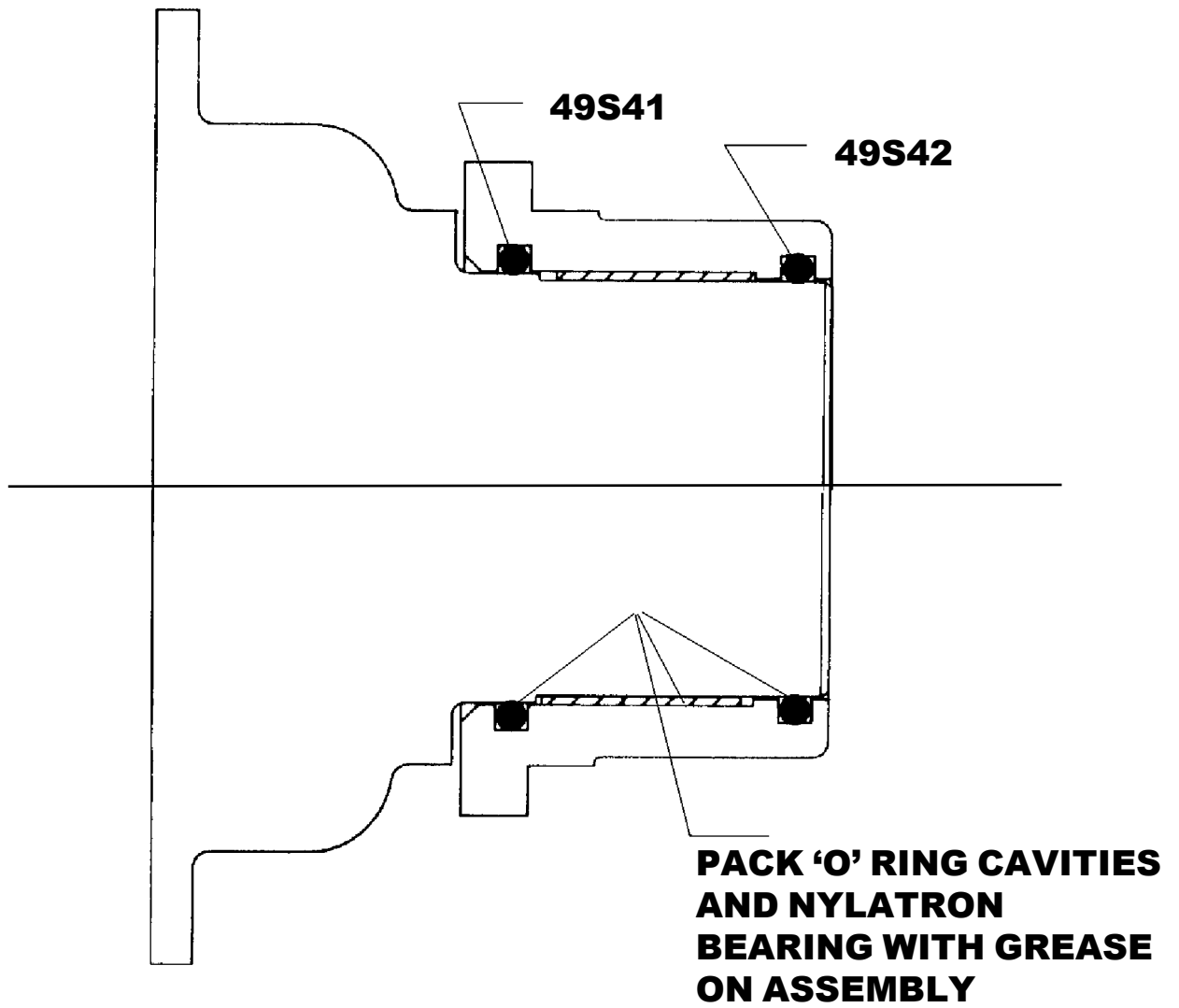
Coat the threads on the countersunk socket headed screws with threadlock and secure the assembly onto the face of the trunnion.

Turn the trunnion bearing so that the machined slot is at 12 o'clock and locate the trunnion bracket, fit the six setscrews and tighten.

Refit the drum assembly, countershaft chain and guard as previously described.

Coat the countershaft inside the engine housing with copperslip, fit the chain wheel and gib head key. Reconnect the engine drive chain or alternatively the ‘V’ belt.

100T 150T 175T 'O' RING LOCATION



WORKSHOP MANUAL
100T / 150T / 175T
Winget Concrete Mixers
From 1988 Onwards
Issue 12 2018

Refit the chain guard not forgetting the polythene plug, engine housing lid and top plate on the 175T.

Start the engine and run test checking for unusual noises.

Engine, Lister-Petter LT1/LV1-32 (100T & 150T) Lister-Petter LT1/LV1-10 (175T) PTO Shaft Clockwise Rotation.

“CE” marked machines are fitted with ‘anti-kick back starting handles’ in order to comply with European legislation. For information on the starting handles refer to the engine operators handbook or engine workshop manual.

For details on engine services or overhauls, changing engine oils, filters and bleeding the fuel system refer to the engine operator’s handbook or engine workshop manual.

Note, the Lister-Petter LT1/LV1 engine is set to run at 900/1000 rpm and rotates clockwise at the flywheel end.

Engine Sprockets LT1/LV1

The engine sprockets on LT1/LV1-32 engines are secured to the flywheel via the flywheel retaining screw. On the LT1/LV1-10 the sprocket is keyed onto the engine extension shaft and also held by an M8 grubscrew. Replacement of either sprocket requires removal of the engine.

Remove the engine housing closing plate, engine housing lid, top plate (175T) and chain guards. Disconnect the drive chain. Remove the exhaust pipe, remove the bolts securing the engine mounting channels or blocks to the engine bed. Using suitable lifting equipment remove the engine taking care not to lose or mix up the shims.

On LT1/LV1-32 refer to the Engine Workshop manual and remove the flywheel retaining screw, change the Sprocket and refit the Screw. On LT1/LV1-10 remove the gib head key and pull off the Sprocket. Slide on the new sprocket with the boss towards the engine and retain approximately 17mm from the end of the shaft using the gib head key. Do not at this stage fully fit the key in case the Sprocket needs to be aligned with the countershaft chain wheel when the engine is refitted.

Lift the engine back into the mainframe. Insert the bolts but do not fully tighten and refit the shim pack. Connect the chain. Check the alignment of the sprockets and chain wheel by either: -

On LT1/LV1-32 slide the engine assembly on the slots in the engine bed.

WORKSHOP MANUAL
100T / 150T / 175T
Winget Concrete Mixers
From 1988 Onwards
Issue 12 2018

On LT1/LV1-10 moving the sprocket on the shaft before fully inserting the gib head key and tightening the grub screw.

Check and adjust the chain tension by adding or subtracting engine shims. The tension is correct when the chain deflects approximately 5mm, or ½ a chain pitch about the centre line of the chain. The chain tension should be checked midway between the two sprockets and chain wheel. When the tension is correct fully tighten all the bolts and recheck the chain tension.

Refit the exhaust pipe, retaining clamps and brackets, refit the engine housing lid, chain guards not forgetting the polythene plug, top plate (175T) and closing plate.

Engine, Yanmar L40/L48-ARE SE Electric Start. PTO Shaft Clockwise Rotation.

There is no difference in build specification between “CE” marked machines intended for use in the European Union or those intended for export elsewhere. No starting handles are fitted to the Yanmar engines, instead a recoil rope starter is fitted as an ‘emergency’ back up starting device in the event that the electrical starting system should fail. Note, starting the engine with the recoil in the absence of the battery or start key may damage the charging system.

For details on engine services or overhauls, changing engine oils, filters and bleeding the fuel system refer to the engine operator’s handbook or engine workshop manual.

Note: this ‘high speed’ engine is set to run at 2800/3000 rpm and rotates clockwise at the half speed (1400/1500) PTO shaft extension.

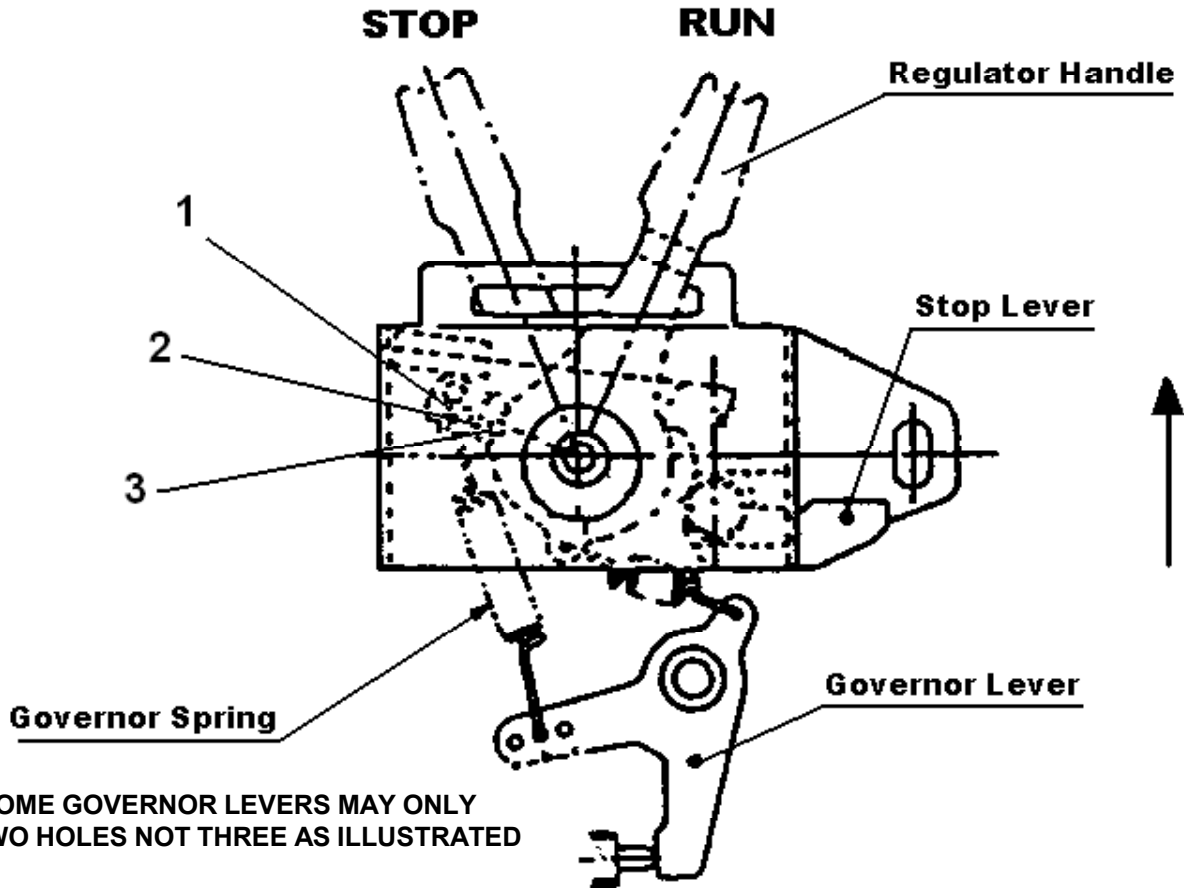
To prevent the characteristics of chain drives damaging the Yanmar engine which lacks the heavy flywheel of the slow speed Lister Petter LT1/LV1, the countershaft chain wheel and engine drive chain are replaced by a “V” belt and “V” drive pulleys.

The engine is also mounted differently in that it is bolted to a height adjustable bedplate, similar to the electric 240/110V motor, Petter AC1-05 and Honda engine to allow for belt tensioning.

Power to charge the battery is provided by integral flywheel mounted charge windings and engine mounted regulator with key switch control.

HANDFED MIXERS YANMAR L48 TYPE D THROTTLE

ENGINE THROTTLE CONTROL USED ON LATER L48 ENGINES FITTED TO 100T, 150T, 175T & 200T HANDFED MIXERS



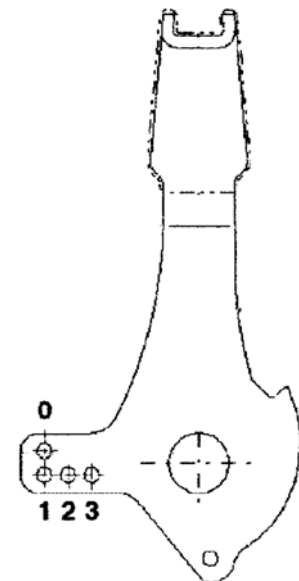
NOTE: SOME GOVERNOR LEVERS MAY ONLY HAVE TWO HOLES NOT THREE AS ILLUSTRATED

TYPE "D" THROTTLE CONTROL

WITH THE REGULATOR HANDLE IN THE "STOP" POSITION REMOVE THE CENTRE SECURING BOLT AND THE LOCKING SETSCREW FROM THE SLOT ADJACENT TO THE STOP LEVER.

CAREFULLY LIFT THE THROTTLE CONTROL ASSEMBLY AWAY FROM THE ENGINE SUFFICIENTLY TO GAIN ACCESS TO THE GOVERNOR SPRING.

MOVE THE UPPER HOOK ON THE GOVERNOR SPRING INTO THE No3 HOLE POSITION IN THE REGULATOR HANDLE. (SEE DRAWING OPPOSITE) LEAVE THE LOWER HOOK IN THE SECOND INNER HOLE IN THE GOVERNOR LEVER. REFIT THE THROTTLE CONTROL ASSEMBLY TO THE ENGINE ENSURING THE SPRINGS DO NOT BECOME DETACHED. ROTATE THE CONTROL ASSEMBLY IN THE DIRECTION OF THE ARROW UNTIL THE LOCKING SCREW IS AT THE BOTTOM OF THE SLOT BEFORE TIGHTENING UP BOTH SCREWS. THE ENGINE SPEED SHOULD NOW BE SET TO APPROX 2800RPM AND THE DRUM WILL ROTATE AT APPROXIMATELY 22-23 RPM.



WORKSHOP MANUAL
100T / 150T / 175T
Winget Concrete Mixers
From 1988 Onwards
Issue 12 2018

Battery Removal/Replacement

The 12-volt battery is secured on the R/H side of the Yanmar engine within the engine housing for security. To remove, unscrew the 'T' handle from the stop control rod and remove the closing plate. (The Stop control rod is omitted on later mixers) The battery is retained by a non-conductive clamping block, cover and threaded studs, the studs pass through the clamp block screw down into and through the engine mounting plate being retained below the plate with two M6 nuts. Remove the nuts, unscrew the studs and remove, lift off the cover and clamp block, disconnect the battery leads and slide out the battery. Reverse the procedure to refit the battery.

Drive Pulley/ "V" Belt Removal/Replacement

The "V" belt drive pulley is keyed onto the engine extension shaft and also held by a small grubscrew through the pulley shank. An M8 setscrew and flat washer is also screwed into the end of the engine extension shaft to retain the pulley. Replacement requires the removal of the engine.

Unscrew the 'T' handle from the stop control rod where it passes through the closing plate. (The Stop control rod is omitted on later mixers). Undo the knot in the recoil rope retaining the handle where it passes through the side of the engine housing, do not release the rope but remove the handle and pass the rope back through into the housing. Tie a loose knot in the rope to prevent it being pulled inside the recoil housing under spring tension. Alternatively the recoil can be removed from the engine and allowed to hang inside the engine housing. To remove the recoil mark its position on the flywheel housing and remove the three small screws which retain the assembly in place.

Remove the engine housing closing plate, engine housing lid, top plate (175T) and chain /belt guards. Disconnect the battery. Remove the 'V' belt and unbolt the electrical panel from the side of the mainframe. Remove the bolts securing the engine to the mounting plate and carefully lift the engine out of the housing. Turn the engine through 180° to access the drive pulley and rest the engine back on the mounting plate taking care it does not topple off.

Slacken the grubscrew and remove the setscrew and washer, pull off the pulley, it may be necessary to use a small two legged puller if the pulley has been attached for some time.

Coat the bore of the pulley and the extension shaft with anti-seize compound and slide the pulley onto the shaft fully home up to the shoulder, fit the key, grubscrew, setscrew and washer.

WORKSHOP MANUAL
100T / 150T / 175T
Winget Concrete Mixers
From 1988 Onwards
Issue 12 2018

Lift the engine back into the mainframe and secure to the bed. Insert the bolts but do not fully tighten, refit the 'V' belt check the belt alignment, if the alignment is incorrect rectify by sliding the engine mounting plate and bracket back and forth on the engine bed, tighten the engine retaining bolts.

Check and adjust the belt tension by means of the long threaded adjusting screws the tension is correct when the belt deflects approximately 8-12mm about the centre line of the belt. The tension should be checked midway between the two pulleys. When the tension is correct fully tighten all the bolts and recheck the tension.

A belt running too tight will cause starting problems and the increased loadings will increase the rate of wear on the belt causing it to stretch prematurely and may also damage the crankshaft bearings. A belt running too slack will slip under load with the result that the drum will cease to revolve.

Reconnect the battery and electric start panel, ensuring the wiring is secured and will not chafe through.

Refit the recoil assembly or rope handle, engine housing lid, chain/belt guards not forgetting the polythene plug, top plate, closing plate and where fitted the stop control 'T' handle.

110/240 Volt 1PH Electric Motor

The motor runs at approximately 1420/1470 rpm and rotates Clockwise.

To accommodate the reduction in rpm at the motor and to prevent the characteristics of chain drives damaging the motor, the countershaft chainwheel and engine drive chain are replaced by a "V" belt and "V" drive pulley.

The motor is also mounted differently to the Lister Petter LT1/LV1 in that it is bolted to a height adjustable bedplate, similar to the AC1-05, Yanmar and Honda engines to allow for belt tensioning.

The contactor enclosure is attached to the chain/belt guard and a key lockable 'emergency' stop button is fitted to the exterior of the engine housing on the left-hand side.

Note, locking off the stop button prevents any un-authorised person from starting the equipment **BUT** does not isolate the electricity supply. Before carrying out any work on the motor, contactor or enclosure isolate the supply at the main distribution board and attach a suitable 'locked out' tag to prevent the supply being inadvertently re-connected.

WORKSHOP MANUAL
100T / 150T / 175T
Winget Concrete Mixers
From 1988 Onwards
Issue 12 2018

Refer to the wiring diagram for details of the connections between the motor, contactor and emergency stop button.

Belt Drive Pulley/"V" Belt Removal/Replacement

The drive pulley is mounted onto the motor extension shaft, and is secured with a feather key and grubscrew.

Unlike the diesel and petrol driven versions it is possible to remove the pulley without removing the motor. To remove the pulley, first disconnect the electrical supply and isolate the mixer. Remove the engine housing lid, closing and top plates, upper and lower belt guard and "V" belt. When removing the upper belt guard take care as the contactor is attached. Mark the position of the pulley on the shaft. Turn the motor shaft until the grubscrew is visible, slacken the screw and remove the pulley. Reverse the procedure to refit coating the bore of the pulley with anti-seize compound prior to assembly.

Fit the "V" belt and confirm the alignment of the pulleys. Adjust the height of the motor to tension the "V" belt. The tension is correct when the belt deflects 8-12mm check midway between the pulleys.

A belt running too tight may cause starting problems and the increased loadings will increase the rate of wear on the belt causing it to stretch prematurely and may also result in damage to the motor shaft bearings. A belt running too slack will slip under load with the result that the drum will cease to revolve.

Refit the engine housing lid, closing and top plates and upper and lower belt guards, not forgetting the plastic plug, take care not to damage the contactor when refitting the upper belt guard. Reconnect the electrical supply.

Engine, Lister-Petter AC1-05 Electric Start, PTO Shaft Clockwise Rotation

A small number of 150T mixers, mainly two wheel fast tow are fitted with the electric starting Lister-Petter AC1-05 engine. As with the Yanmar L40/L48 and Honda engine there is no difference in build specification between "CE" marked machines intended for use in the European Union or those intended for export elsewhere. Unlike the Yanmar L40/L48 no back up starting system is provided in the event that the electrical starting system fails, the AC1-05 powered mixers where intended to be purely electric start.

For details on engine services or overhauls, changing engine oils, filters and bleeding the fuel system refer to the engine operator's handbook or engine workshop manual.

Note: this 'high speed' engine is set to run at 1500 rpm and rotates clockwise at the engine flywheel PTO.

WORKSHOP MANUAL
100T / 150T / 175T
Winget Concrete Mixers
From 1988 Onwards
Issue 12 2018

To provide the reduction in speed necessary to drive the drum at a nominal 22 rpm the countershaft chain wheel and engine drive chain are replaced by a “V” belt and “V” drive pulleys.

The engine is also mounted on a height adjustable bedplate, similar to the electric 110/240V motor, Yanmar L40/L48 and Honda GX160K1 to allow for belt tensioning.

Power to charge the battery is provided by integral flywheel mounted charge windings and engine mounted regulator with key switch control.

Battery Removal/Replacement

The 12-volt battery is secured below the engine bed between the rear wheels enclosed by a removable cover to provide some security. A simple clamp bar, two retaining rods and wing nuts retain the battery. Remove the setscrews and nuts holding the cover, release the wing nuts and remove the rods and clamp. Disconnect the battery leads and lift out the battery. Reverse the procedure to refit the battery.

Drive Pulley/ “ V” Belt Removal/Replacement

The “V” belt drive pulley is combined with a short extension shaft and bolted directly to the face of the engine flywheel, when selecting retaining bolts ensure only the correct length of bolt is used to prevent the bolts passing straight through the flywheel and damaging the charge windings. Replacement of the “V” belt pulley/shaft requires the removal of the engine.

Remove the stop control rod where it passes through the closing plate.

Remove the engine housing closing plate, engine housing lid, chain /belt guards and exhaust pipe. Remove the ‘V’ belt and unbolt the electrical panel from the side of the mainframe, disconnect the battery. Remove the bolts securing the engine to the mounting plate and carefully lift the engine out of the housing. Turn the engine through 180° to access the drive pulley and rest the engine back on the mounting plate taking care it does not topple off.

Remove the bolts and washers securing the pulley to the flywheel, as the pulley sits in a small recess within the flywheel it may be necessary to tap the pulley with a soft faced hammer in order to remove it, take care not to damage the pulley in doing so.

WORKSHOP MANUAL
100T / 150T / 175T
Winget Concrete Mixers
From 1988 Onwards
Issue 12 2018

Reverse the procedure to refit taking care when selecting any replacement bolts to avoid damaging the charge windings behind the flywheel.

Lift the engine back into the mainframe and secure to the bed. Insert the bolts but do not fully tighten, refit the “V” belt check the belt alignment, if the alignment is incorrect rectify by sliding the engine mounting plate and bracket back and forth on the engine bed, tighten the engine retaining bolts.

Check and adjust the belt tension by means of the long threaded adjusting screws the tension is correct when the belt deflects approximately 8-12mm about the centre line of the belt. The tension should be checked midway between the two pulleys. When the tension is correct fully tighten all the bolts and recheck the tension.

A belt running too tight will cause starting problems and the increased loadings will increase the rate of wear on the belt causing it to stretch prematurely and may also damage the crankshaft bearings. A belt running too slack will slip under load with the result that the drum will cease to revolve.

Reconnect the battery and electric start panel, ensuring the wiring is secured and will not chafe through.

Refit the engine housing lid, chain/belt guards not forgetting the polythene plug, closing plate and stop control rod.

Engine, Honda Petrol GX160K1 LX4 Recoil Start. PTO Shaft Anti-clockwise Rotation.

There is no difference in build specification between “CE” marked machines intended for use in the European Union or those intended for export elsewhere. No starting handles are fitted to the Honda engines, instead a recoil rope starter is fitted. The engine housing of Honda powered mixers differs in that the housing incorporates large air inlet/outlets to provide the necessary cooling air and it is important that in service these are not allowed to become blocked.

For details on engine services or overhauls, changing engine oils and filters etc refer to the engine operator’s handbook or engine workshop manual.

Note: this ‘high speed’ engine is set to run at 2800 rpm and rotates anti-clockwise at the half speed (1400rpm) 2:1 Reduction PTO shaft extension.

To prevent the characteristics of chain drives damaging the Honda engine which lacks the heavy flywheel of the slow speed Lister-Petter LT1/LV1, the

WORKSHOP MANUAL
100T / 150T / 175T
Winget Concrete Mixers
From 1988 Onwards
Issue 12 2018

countershaft chain wheel and engine drive chain are replaced by a “V” belt and “V” drive pulleys.

The engine is also mounted differently in that it is bolted to a height adjustable bedplate, similar to the electric 240/110V motor, Petter AC1-05 and Yanmar engines to allow for belt tensioning.

Drive Pulley/ “V” Belt Removal/Replacement

The “V” belt drive pulley is keyed onto the engine extension shaft and also held by a small grub screw through the pulley shank. An M8 setscrew, flat washer and spacer are also fitted to the end of the engine extension shaft to retain the pulley. Replacement of the pulley requires the removal of the engine.

Undo the knot in the recoil rope retaining the handle where it passes through the side of the engine housing, do not release the rope but remove the handle and pass the rope back through into the housing. Tie a loose knot in the rope to prevent it being pulled inside the recoil housing under spring tension. Alternatively the recoil can be removed from the engine and allowed to hang inside the engine housing. To remove the recoil mark its position on the flywheel housing and remove the small screws which retain the assembly in place.

Remove the engine housing closing plate, engine housing lid, top plate (175T) and chain /belt guards and ‘V’ belt. Disconnect the exhaust pipe, remove the bolts securing the engine to the mounting plate and carefully lift the engine out of the housing. Turn the engine through 180° to access the drive pulley and rest the engine back on the mounting plate taking care it does not topple off.

Slacken the grub screw and remove the setscrew, washer and spacer, pull off the pulley, it may be necessary to use a small two legged puller if the pulley has been attached for some time.

Coat the bore of the pulley and the extension shaft with anti-seize compound and slide the pulley onto the shaft fully home up to the shoulder, fit the key, grub screw, setscrew, washer and spacer.

Lift the engine back into the mainframe and secure to the bed. Insert the bolts but do not fully tighten, refit the ‘V’ belt check the belt alignment, if the alignment is incorrect rectify by sliding the engine mounting plate and bracket back and forth on the engine bed, tighten the engine retaining bolts.

Check and adjust the belt tension by means of the long threaded adjusting screws the tension is correct when the belt deflects approximately 8-12mm about the centre line of the belt. The tension should be checked midway between the

WORKSHOP MANUAL
100T / 150T / 175T
Winget Concrete Mixers
From 1988 Onwards
Issue 12 2018

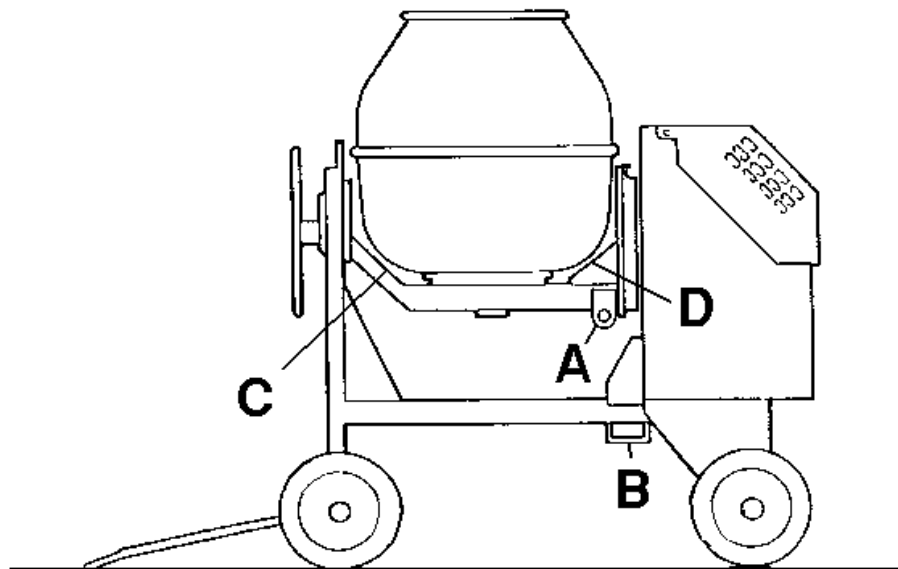
two pulleys. When the tension is correct fully tighten all the bolts and recheck the tension.

A belt running too tight will cause starting problems and the increased loadings will increase the rate of wear on the belt causing it to stretch prematurely and may also damage the reduction gear bearings. A belt running too slack will slip under load with the result that the drum will cease to revolve.

Refit the recoil assembly or rope handle, engine housing lid, chain/belt guards not forgetting the polythene plug, top plate and closing plate.

WORKSHOP MANUAL
100T / 150T / 175T
Winget Concrete Mixers
From 1988 Onwards
Issue 12 2018

Lashing Down & Lifting Points



Lashing Down & Lifting Points

General

Care should be taken when lifting or transporting the Mixer to ensure that lifting or retaining Straps are in good condition and the following procedures must be followed when lifting or lashing down to avoid causing unnecessary damage.

Its is recommended that chains or webbing slings are used to lift the mixer via the lifting point on the trunnion and that ratchet type webbing straps are used to lash the mixer down.

Lifting the Mixer (Crane)

Turn the drum and trunnion through 180° and using the locking pin in the tilting handwheel lock the assembly in this position with the lifting eye 'A' uppermost. Attach suitable lifting equipment to the lifting eye and slowly take the weight, do not 'snatch' the mixer otherwise damage may be caused to the lifting point, trunnion or lifting equipment. To prevent the drawbar swinging freely as the mixer clears the ground rest the drawbars 'T' handle on the mainframe below the upturned drum. If the mixer is on site and the wheels are immersed in dried concrete or mortar the wheels must be freed before attempts are made to lift the mixer. Be aware that the mixer will tend to swing as it clears the ground.

WORKSHOP MANUAL
100T / 150T / 175T
Winget Concrete Mixers
From 1988 Onwards
Issue 12 2018

Lifting the Mixer (Forklift/Telehandler)

Using the tilting handwheel locking plunger, lock the drum upright as illustrated overleaf. If the wheels are immersed in dried concrete or mortar, free them before attempting to lift the mixer.

Spread the fork tines and carefully position the forks below the mainframe so that one tine enters and passes through the bracket 'B' below the mainframe, the other fork should be spread as wide as possible. Position the carriage as close as possible to the mixer and rest the mixers drawbar on one of the fork tines to prevent it swinging freely.

Slowly tilt the carriage back slightly to prevent the mixer rocking forward and raise the mixer just clear of the ground. Do not raise the mixer unnecessarily high, keep the height to the minimum required to clear any obstructions without unduly obstructing your forward vision. When travelling keep your speed to the minimum and when loading vehicles do not raise the mixer to the height of the bed until the mixer is close to the vehicle. Similarly when unloading vehicles lower the mixer just clear of the ground as soon as it clears the side of the vehicle.

Lashing Down

General

It is recommended that unless the mixer is pulled up against a headboard or some form of substantial wheel chocks that two ratchet type webbing straps are used to retain the mixer, one pulling to the rear and one pulling to the front. The drum should be locked in the upright position shown overleaf to keep the centre of gravity as low as possible.

Position the mixer on the vehicle bed and chock the rear wheels to prevent it rolling until lashed down. Turn the front axle so that the drawbar is below the mixer and not forming an obstruction on the vehicle bed. Lock the drum in the upright position. Pass one of the webbing straps between the drum and trunnion at point 'C' and secure the strap down to retaining hooks on the vehicle bed in front of the mixer. Pass the second strap between the drum and trunnion at point 'D' and secure the strap down to retaining hooks on the vehicle bed to the rear of the mixer. Tighten the straps by means of the ratchets until the mixer is securely held.

WORKSHOP MANUAL

100T, 150T & 175T

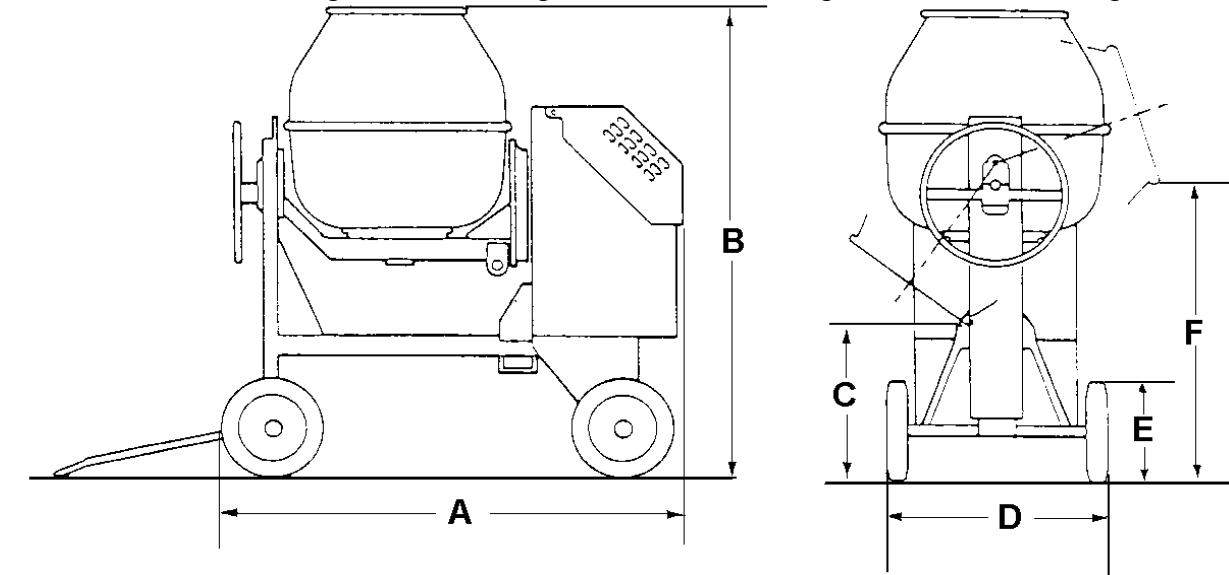
SECTION 3

**GENERAL ARRANGEMENT
DIMENSIONS**

DIMENSIONS & GENERAL ARRANGEMENT

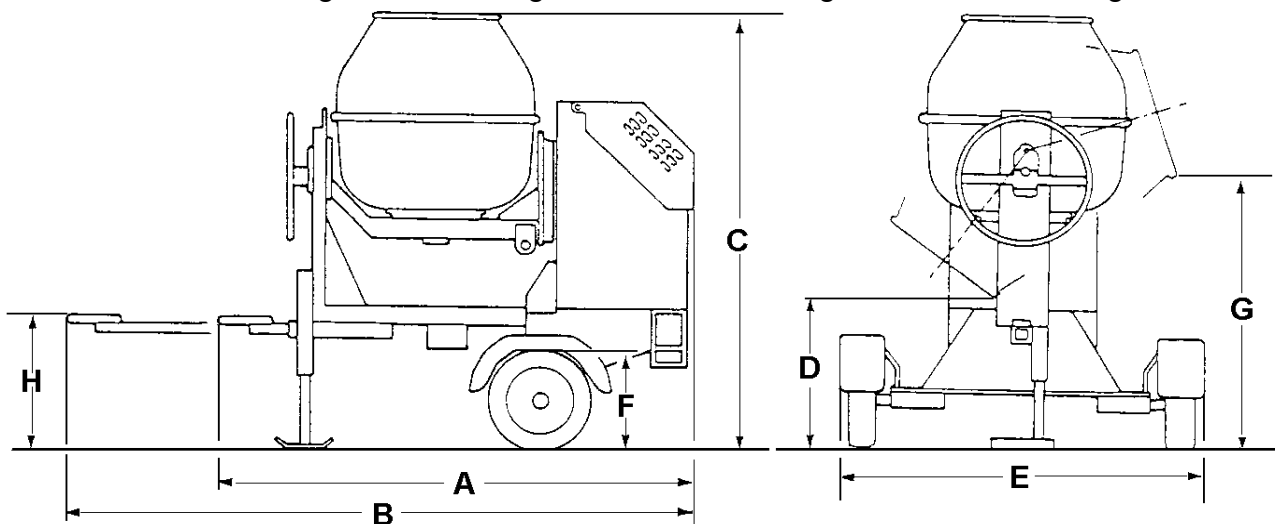
FOUR WHEEL MODELS

| | 100T | 150T | 175T |
|--------|-------|-------|-------|
| A | 1515 | 1650 | 1680 |
| B | 1560 | 1730 | 1780 |
| C | 520 | 555 | 520 |
| D | 800 | 800 | 800 |
| E | 355 | 355 | 355 |
| F | 1000 | 1100 | 1110 |
| Weight | 375kg | 425kg | 460kg |



TWO WHEEL MODELS

| | 100T | 150T | 175T |
|--------|-------------|-------------|--------|
| A | 1720 | 1910 | 2060 |
| B | 2390 | 2490 | 2640 |
| C | 1630 | 1770 | 1840 |
| D | 600 | 610 | 590 |
| E | 1240 | 1320 | 1350 |
| F | 4.80/4.00-8 | 4.80/4.00-8 | 145R10 |
| G | 1060 | 1140 | 1180 |
| H | 430 | 480 | 450 |
| Weight | 395kg | 482kg | 500kg |



WORKSHOP MANUAL

100T, 150T & 175T

SECTION 4

SERVICE SCHEDULES

**WORKSHOP MANUAL
100T / 150T / 175T
Winget Concrete Mixers
From 1988 Onwards
Issue 11 2017**

Service Schedule

Also refer to the Parts & Operators Handbook

The engine will require additional services or adjustments in addition to those listed below. (See the appropriate Engine Operators Handbook or Workshop Manual)

Daily: (8) Hours

Before Work

- Lubricate all grease points.
- Check fuel and lubricating oil levels.
- Check for oil and fuel leaks.
- Check/clean/replace air filter element
- Check the wheel nuts on Two Wheel Fast Tow mixers

After Work

- Top up fuel tank.
- Clean out drum and hopper.
- Wash down the mixer.

Weekly: (40 Hours)

The above and the following:

- | | |
|--------------------------|--|
| Drive Chain/Belt | Check tension, adjust if necessary |
| Controls and Pivots | Lubricate all levers, rods, pivots and pins with oil |
| Wheel Hubs-Two Wheel Tow | Charge grease point on both hubs until grease is visible in breather hole in dust cap. |

**WORKSHOP MANUAL
100T / 150T / 175T
Winget Concrete Mixers
From 1988 Onwards
Issue 11 2017**

| | |
|---------------------|--|
| Battery (if fitted) | Check terminals, clean if necessary, top up |
| Drum Drive | Inspect and lubricate the chain and teeth of the drum bevel gear and pinion. |

Monthly: (100 Hours)

The above and the following:

Check tightness of nuts, bolts etc.

Every 3 Months: (300 Hours Minimum)

The above and the following:

| | |
|--------|-----------------------------------|
| Engine | Change air filter element |
| | Change lubrication oil and filter |
| | Change fuel filter |
| | Check valve clearances |

(Also see relevant Engine Handbook/Workshop Manual as oil changes periods may differ and oils may need to be changed more frequently.)

Every 6 Months: (600 Hours)

The above and the following:

| | |
|--------|--|
| Engine | Check the fuel injection timing (Yanmar) |
| | Clean fuel injectors |

Every 12 Months: (1200 Hours or earlier if conditions dictate)

The above and the following:

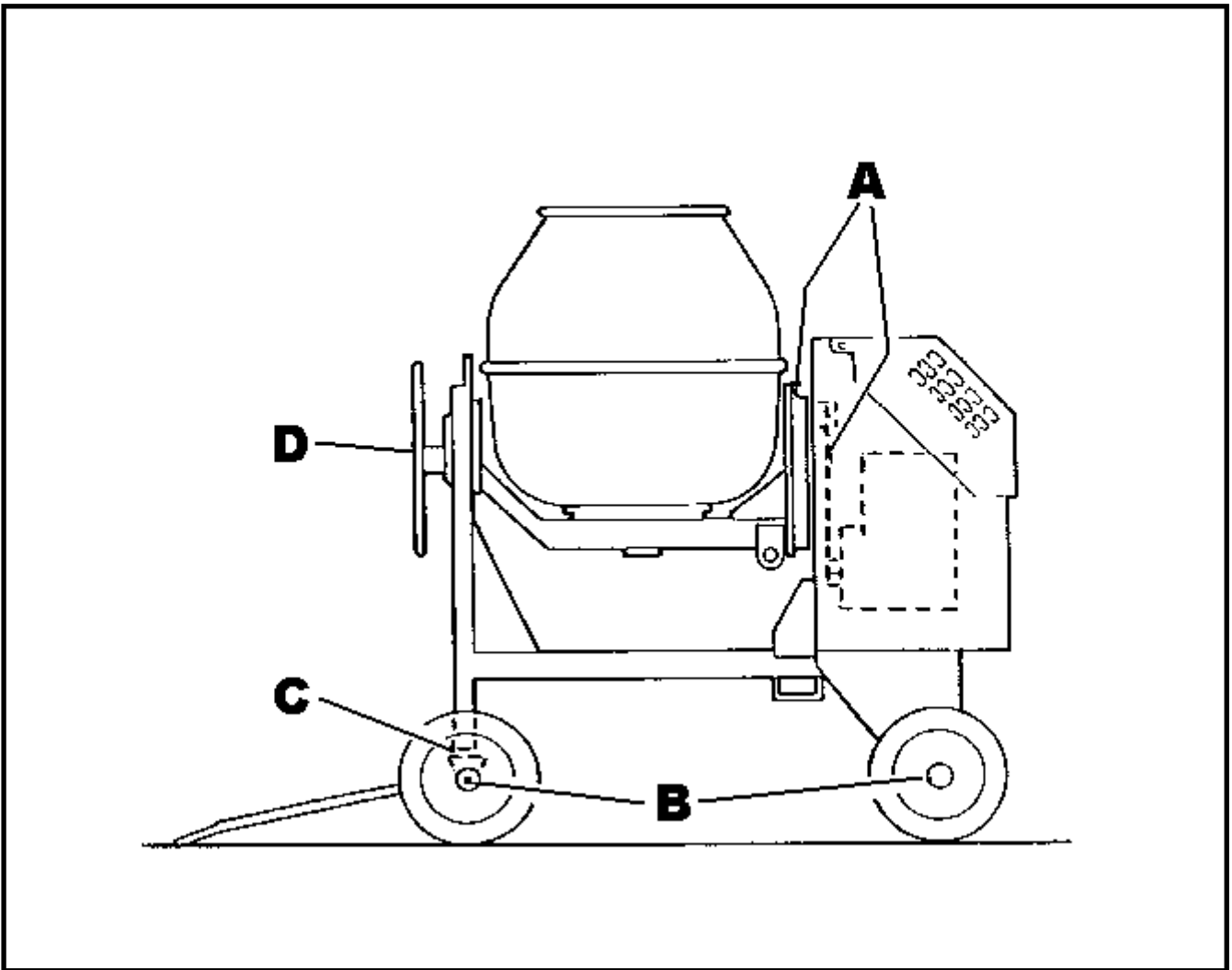
| | |
|--------|---|
| Engine | Decarbonise if necessary |
| | Check Fuel Injection pump and Injectors |

WORKSHOP MANUAL

100T, 150T & 175T

SECTION 5 LUBRICATION DIAGRAM

LUBRICATION POINTS



| Lub Point | Type | Use | No of Points |
|-----------|-------------------|--------|--------------|
| A | Drive Chains | Oil | 2 |
| B | Wheels | Oil | 4 |
| B1 | Wheel Hubs (Pneu) | Grease | 2 |
| C | Steering Joint | Oil | 1 |
| D | Tilt Wheel | Oil | 2 |

LUBRICANTS

MIXERS ARE FACTORY FILLED WITH THE FOLLOWING TOTAL-FINA OILS & GREASES

| | |
|-------------------------|---------------------|
| Engine | Rubia B10W/30 Oil |
| Electric Motor Bearings | Multis EP2 Grease |
| Drive Chain | Rubia B20W/30 Oil |
| Bevel Gears | Open Gear Lubricant |
| Drum Shaft | Anti-seize Compound |
| Grease Nipples | Multis EP2 Grease |
| Linkages & Hinges | Rubia B20W/30 Oil |
| Pivots | Rubia B20W/30 Oil |
| Bearings (on assembly) | Multis EP2 Grease |

Refer to your local oil supplier for a list of the locally available equivalent grades

MIXER DRUM SEALANT

Silicone Sealant

Winget Part No : V2000772

WORKSHOP MANUAL

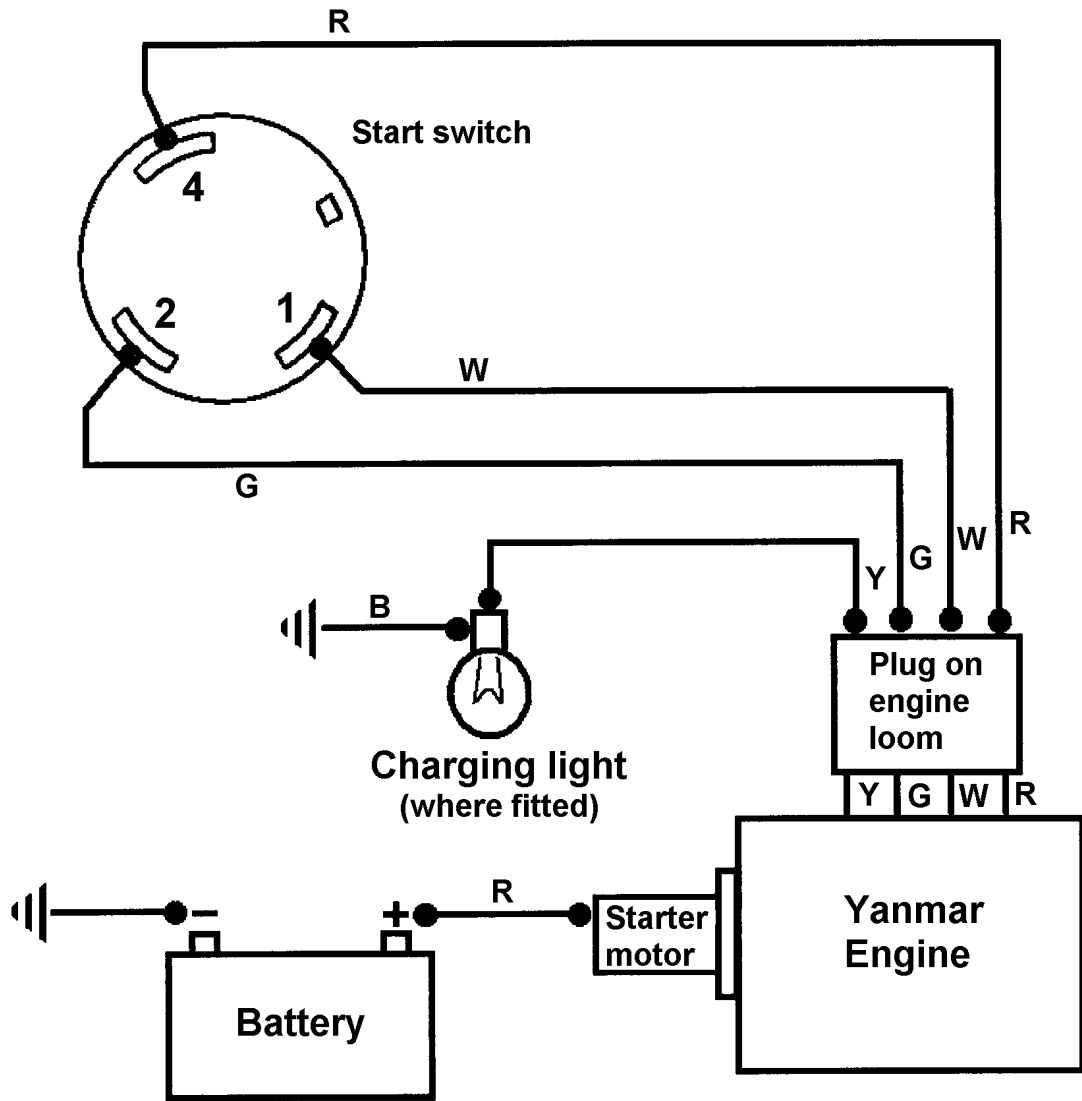
100T, 150T & 175T

SECTION 6

WIRING DIAGRAMS

YANMAR L40/48 KEY START WIRING CIRCUIT

In addition to the circuit shown below, the engine is fitted with its own loom.
(see Yanmar service literature)



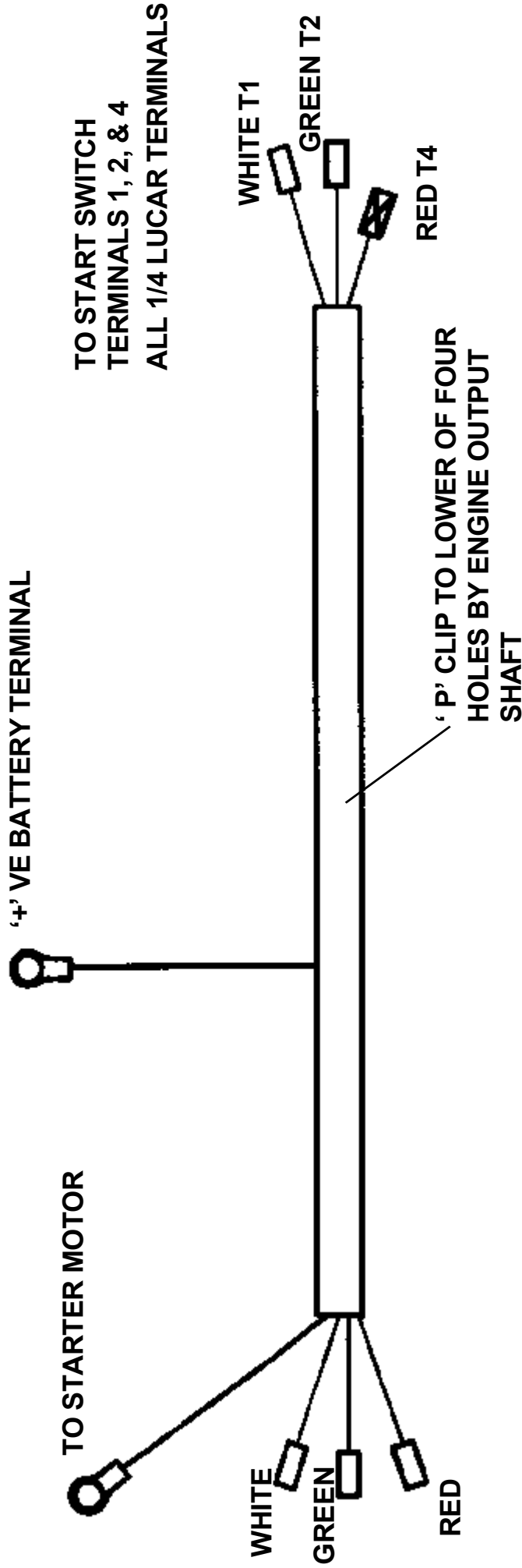
Wire colours

- R Red
- B Black
- G Green
- W White
- Y Yellow

NOTE: Wire identification

The red wire to the battery is much thicker than the red wire to the start switch.

YANMAR L40 ARE-SE WIRING DIAGRAM



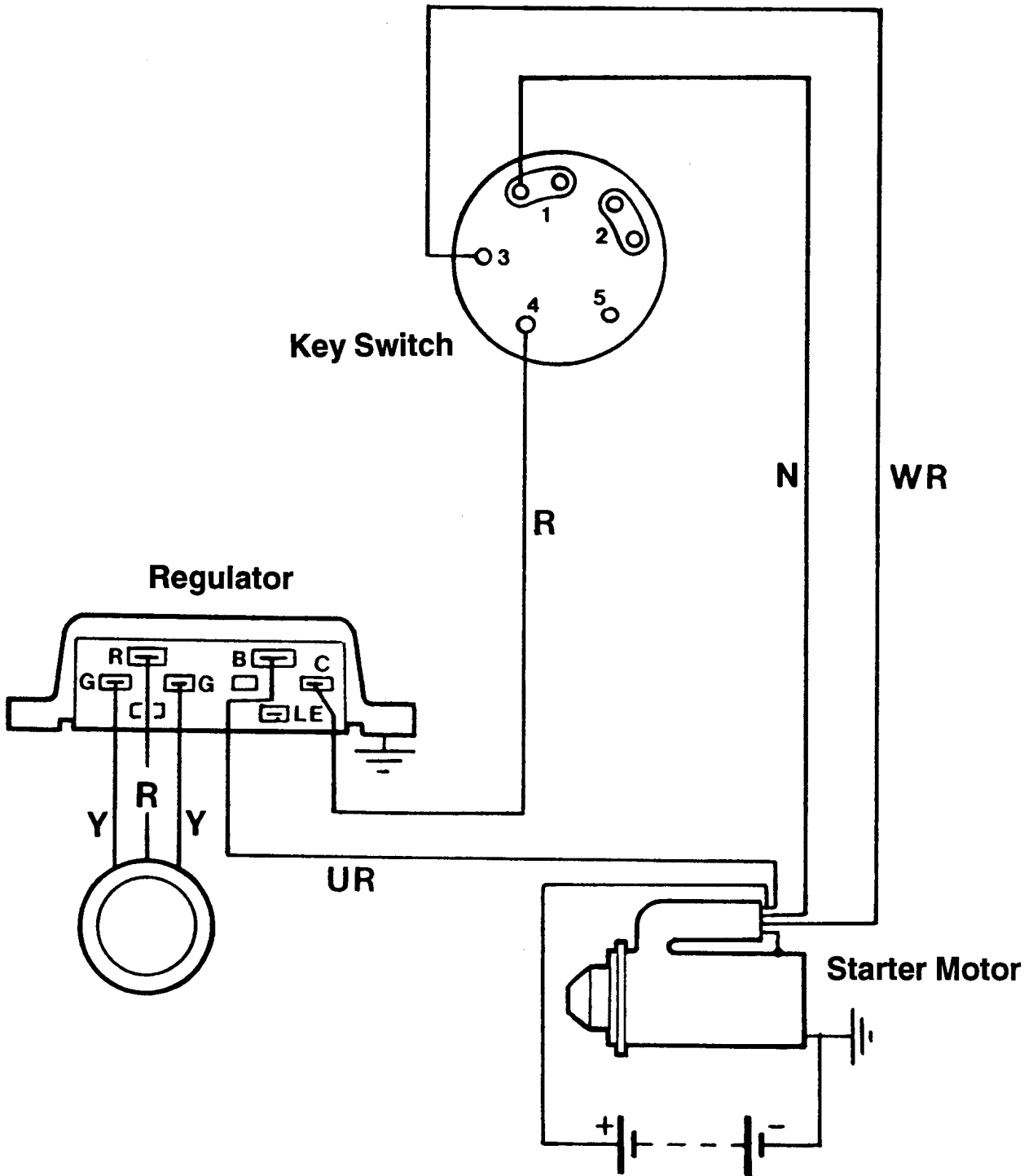
FOUR WAY PLUG TO REAR OF
ENGINE BELOW IN-LINE FUSE
ADJACENT TO REGULATOR

| | |
|--------|-------|
| RED | GREEN |
| YELLOW | WHITE |

PART NUMBER 513362200

TECHNICAL INFORMATION

LISTER-PETTER AC1-05 KEY START WIRING CIRCUIT



WORKSHOP MANUAL

100T, 150T & 175T

SECTION 7

NOISE LEVELS

SECTION 7

NOISE LEVELS

Noise Tests were carried out in accordance with EC Directive 79/113 on a 10 metre Hemisphere with the drum empty and rotating and in accordance with EC Directive 2000/14/EC again on a 10 metre hemisphere with the drum loaded and rotating.

Operators Ear Tests were carried out at a distance 1 metre from the Drum and Handwheel at a height of 1 metre.

Lister Petter LT1-32/LV1-32 Standard Build (79/113)

| | |
|---------------|-------|
| 10 metre | 98Lwa |
| Operators Ear | 80Lpa |

Lister Petter LT1-10/LV1-10 Standard Build (79/113)

| | |
|---------------|-------|
| 10 metre | 98Lwa |
| Operators Ear | 80Lpa |

Lister Petter LT1-32/LV1-32 Standard Build (2000/14EC)

| | |
|---------------|--------|
| 10 metre | 101Lwa |
| Operators Ear | 80Lpa |

Lister Petter LT1-10/LV1-10 Standard Build (2000/14/EC)

| | |
|---------------|--------|
| 10 metre | 101Lwa |
| Operators Ear | 80Lpa |

Yanmar L40 ARE-SE Standard Build (2000/14/EC)

10 metre 101Lwa

Operators Ear 80Lpa

Honda GX160K1 Standard Build (2000/14/EC)

10 metre 101Lwa

Operators Ear 85Lpa

110/240 Volt Electric Motor (79/113 & 2000/14/EC)

10 metre 98Lwa

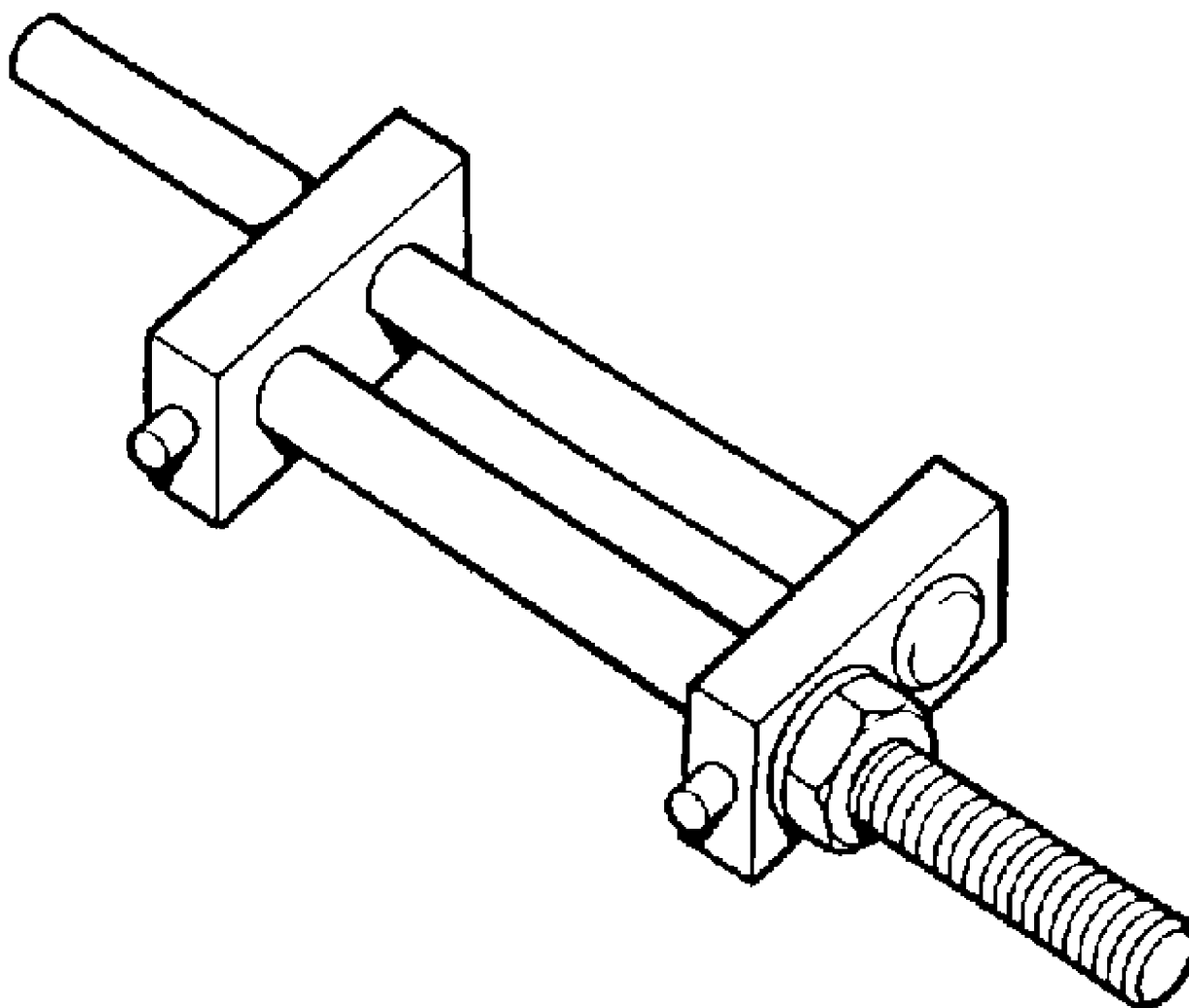
Operators Ear 80Lpa

WORKSHOP MANUAL

100T, 150T & 175T

SECTION 8 SPECIAL TOOLS

100T 150T 175T DRUM CLIP TOOL



513204000 DRUM CLIP TOOL

WORKSHOP MANUAL

100T, 150T & 175T

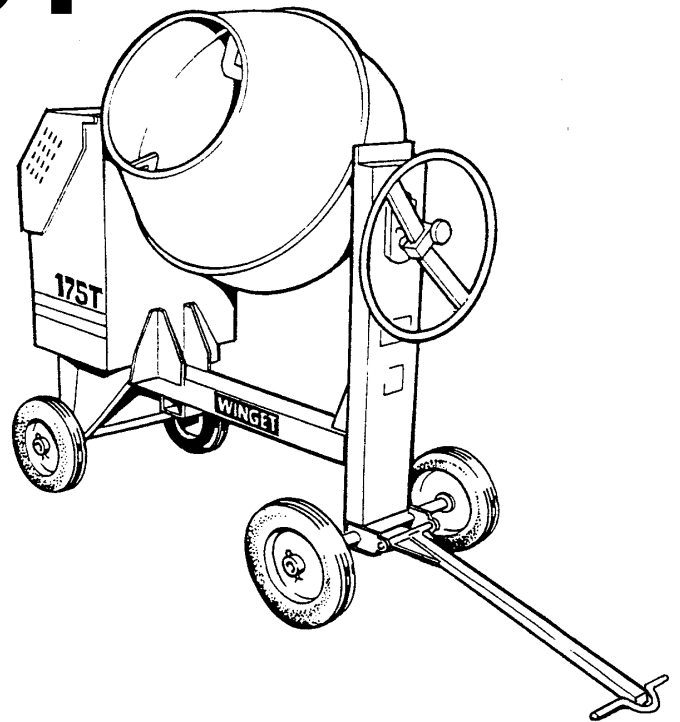
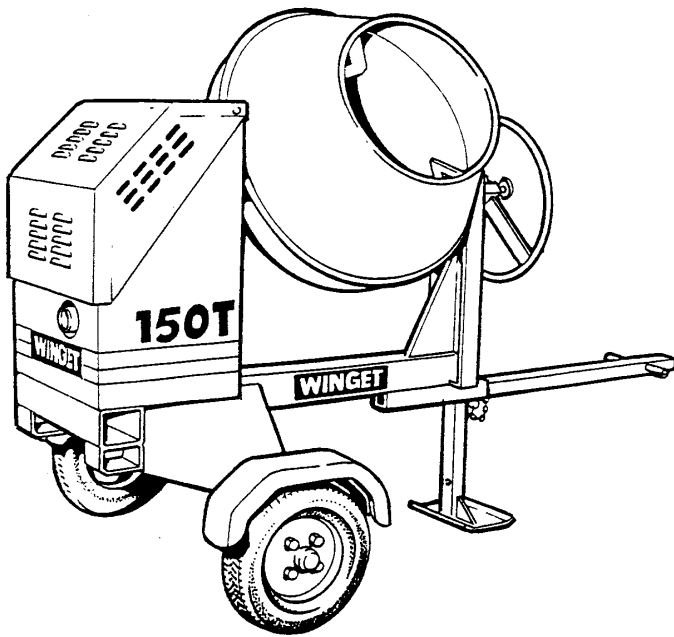
SECTION 9 PARTS LISTING

Mixers

100T

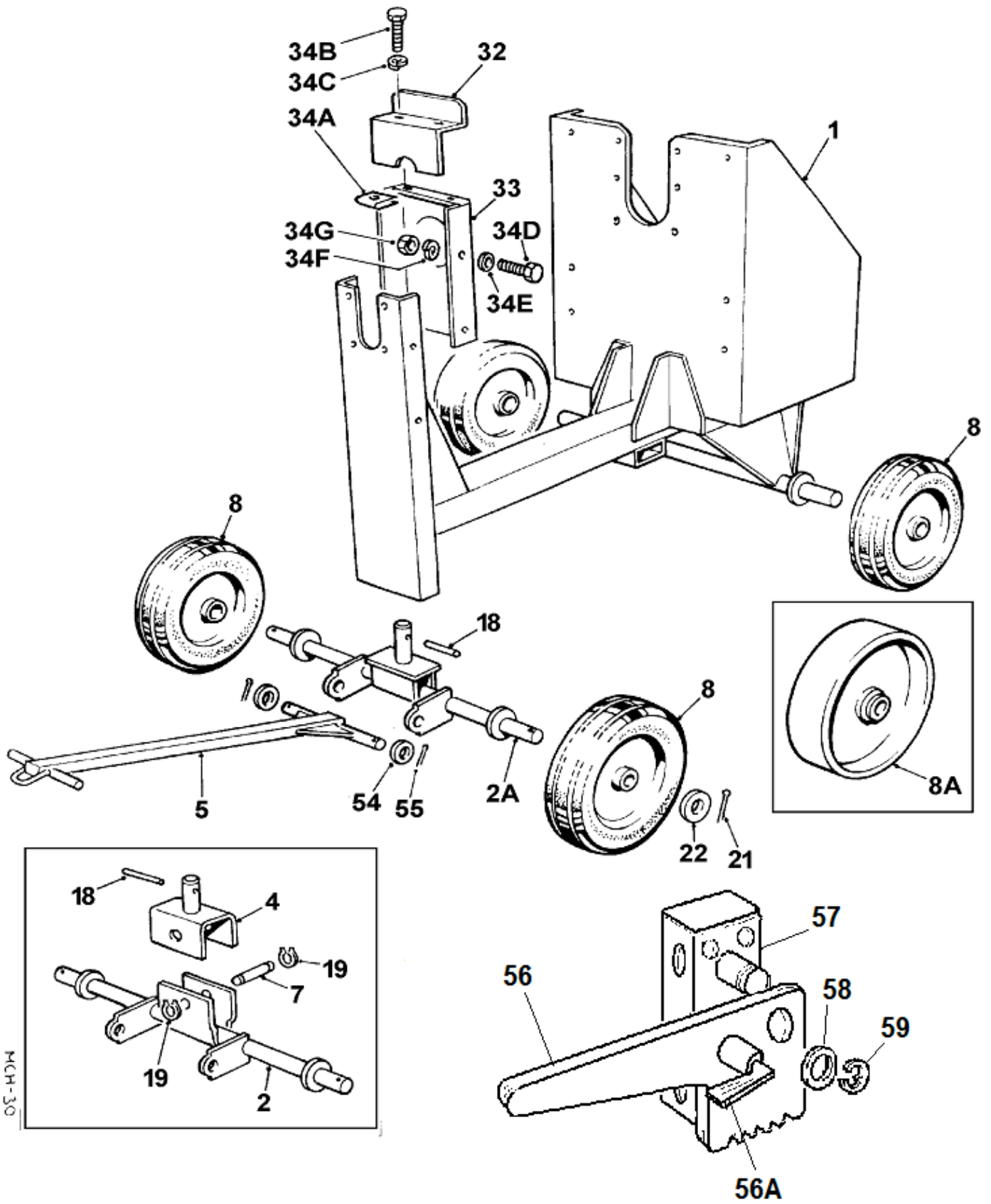
150T

175T



Mixers built FROM February 1988

| | |
|---|----------------|
| FOUR WHEEL MAINFRAME (100T & 150T) | A - 1A |
| MESH GUARDS (Honda engine) | A - 1AA |
| COVERS & GUARDS (100T & 150T) | A - 1B |
| FOUR WHEEL MAINFRAME (175T) | A - 2A |
| COVERS & GUARDS (175T) | A - 2B |
| COVERS & GUARDS (AC1-05 Electric start engine) | A - 3 |
| TWO WHEEL MAINFRAME (100T & 150T) | A - 4 |
| TWO WHEEL MAINFRAME (175T) | A - 5 |
| DRUM | B - 1A |
| TRUNNION & TILT WHEEL | B - 1B |
| DRUM DRIVE | B - 1C |
| LISTER - PETTER LT1/LV1-32 (100T & 150T) | C - 1 |
| LISTER - PETTER LT1/LV1-10 (175T) | C - 1A |
| ELECTRIC DRIVE (100T) | C - 2A |
| ELECTRIC DRIVE (150T) | C - 2B |
| ELECTRIC DRIVE (175T) | C - 2C |
| START SWITCHES (electric drive) | C - 3 |
| LISTER - PETTER AC1 (electric start) | C - 4 |
| YANMAR L40/L48ARE-SE/L48N5SJ1 (electric start) | C - 5 |
| STARTING CIRCUIT, Yanmar L40/L48 ARE-SE/L48N5SJ1 | C - 6 |
| STOP CABLE, Yanmar L48N5SJ1 | C-6A |
| HONDA GX160K1 (hand start) | C - 7 |
| DECALS & PLATES | D - 1 |
| SPECIAL TOOLS | D - 3 |
| NUMERICAL INDEX, from February 1988 | INDEX |

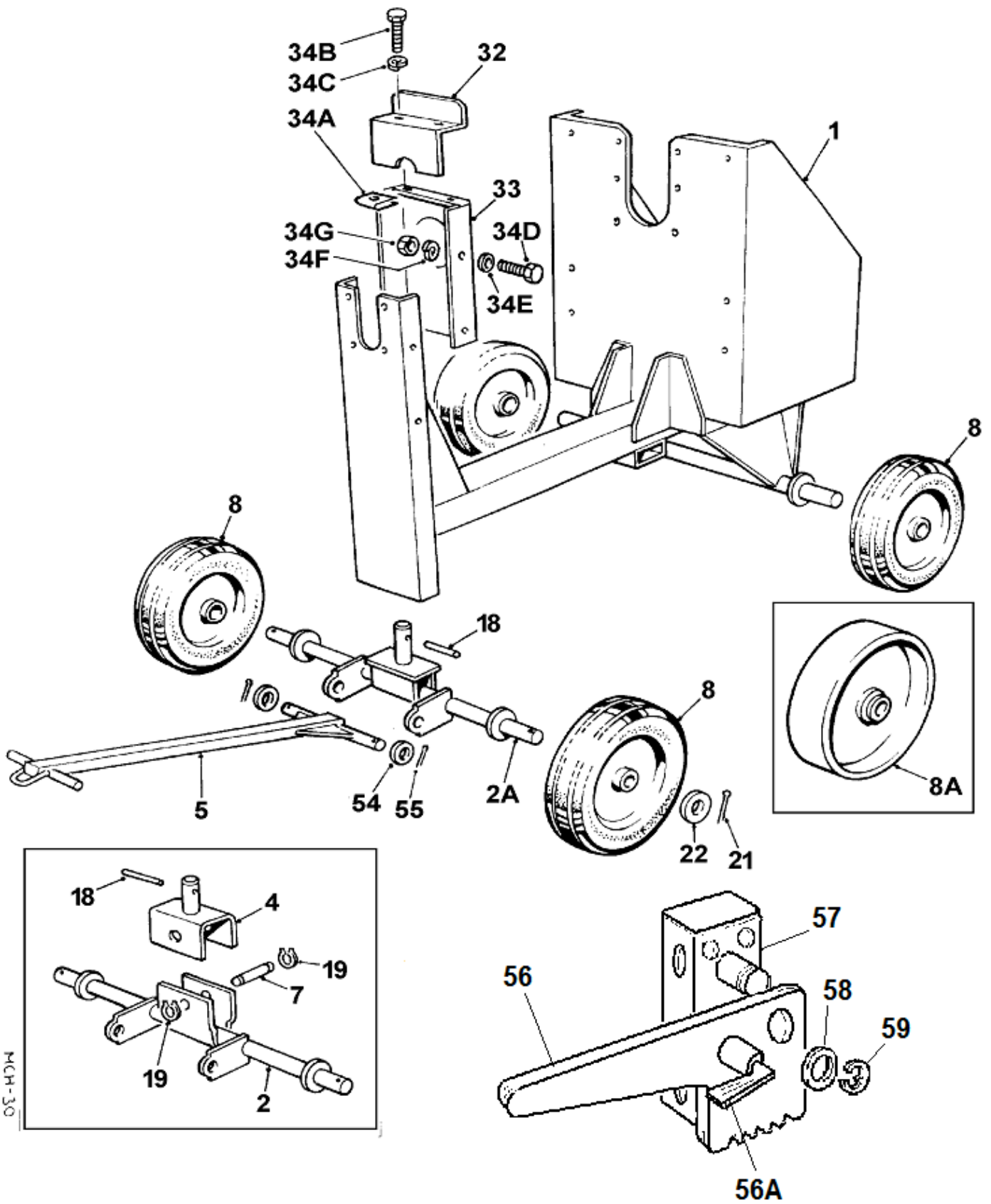


MCH-30

FOUR WHEEL MAINFRAME & TOW BAR

A - 1A

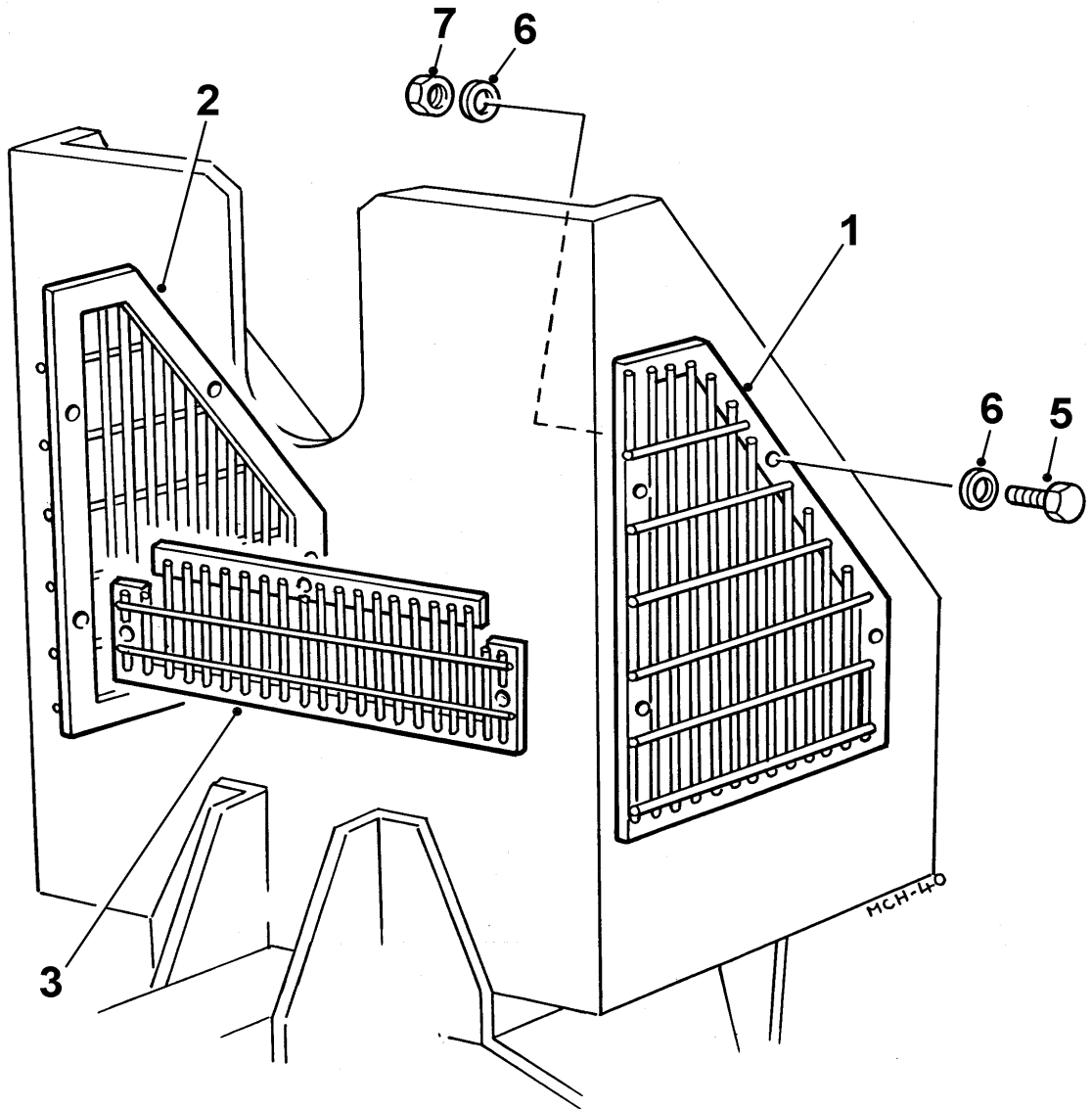
| Item | Part no | Serial no | Description | Qty |
|--------------------------|-----------|--------------------|---|-----|
| 1 | 513340900 | | MAINFRAME, 100T (<i>Not Honda eng.</i>) | 1 |
| 1 | 513363900 | | MAINFRAME, 100T (<i>With Honda eng.</i>) | 1 |
| 1 | 513341000 | | MAINFRAME, 150T | 1 |
| 2 | 513341100 | / 05641 | AXLE, front, 100T | 1 |
| 2A | 513358100 | 05642 / | AXLE, front, 100T | 1 |
| 2 | 513341100 | / 01725 | AXLE, front, 150T | 1 |
| 2A | 513358100 | 01726 / | AXLE, front, 150T | 1 |
| 4 | 513154500 | / 05641 | SWIVEL, front axle, 100T | 1 |
| 4 | 513154500 | / 01725 | SWIVEL, front axle, 150T | 1 |
| 5 | 513341200 | | TOWBAR | 1 |
| 7 | 513155000 | / 05641 | PIN, pivot, front axle, 100T | 1 |
| 7 | 513155000 | / 01725 | PIN, pivot, front axle, 150T | 1 |
| 8 | 475106000 | 100T /06312 | WHEEL, cushion tyre, 355mm (14") dia | 4 |
| 8 | 475106000 | 150T /02311 | WHEEL, cushion tyre, 355mm (14") dia | 4 |
| 8 | 475115000 | 06313/ 100T | WHEEL, cushion tyre, 405mm dia | 4 |
| 8 | 475115000 | 02312/ 150T | WHEEL, cushion tyre, 405mm dia | 4 |
| Alternative wheel | | | | |
| 8A | 513198500 | | WHEEL, steel, 400x100mm (16" x 4") (Obsolete, no longer available) | 4 |
| 18 | 353830650 | | PIN, spirol | 1 |
| 19 | 132412010 | / 05641 | CIRCLIP, 100T | 2 |
| 19 | 132412010 | / 01725 | CIRCLIP, 150T | 2 |
| 20 | 10S09 | | WASHER, flat | 4 |
| 21 | 44S05G | | PIN, split | 4 |
| - | 513198400 | | GUARD, tilt wheel, assembly | 1 |
| 32 | 513198402 | | GUARD, upper | 1 |
| 33 | 513198401 | | GUARD, lower | 1 |
| 34A | 332719000 | | NUT, captive | 2 |
| 34B | 11S02B | | SCREW, set | 2 |
| 34C | 17S03 | | WASHER, spring | 2 |
| 34D | 66S03CC | | SCREW, set | 4 |
| 34E | 10S03 | | WASHER, flat | 4 |
| 34F | 41S05 | | WASHER, spring | 4 |
| 34G | 104S03 | | Nut | 4 |
| 54 | 10S17 | | WASHER, flat | 2 |
| 55 | 44S03D | | PIN, split | 2 |



MCH-30

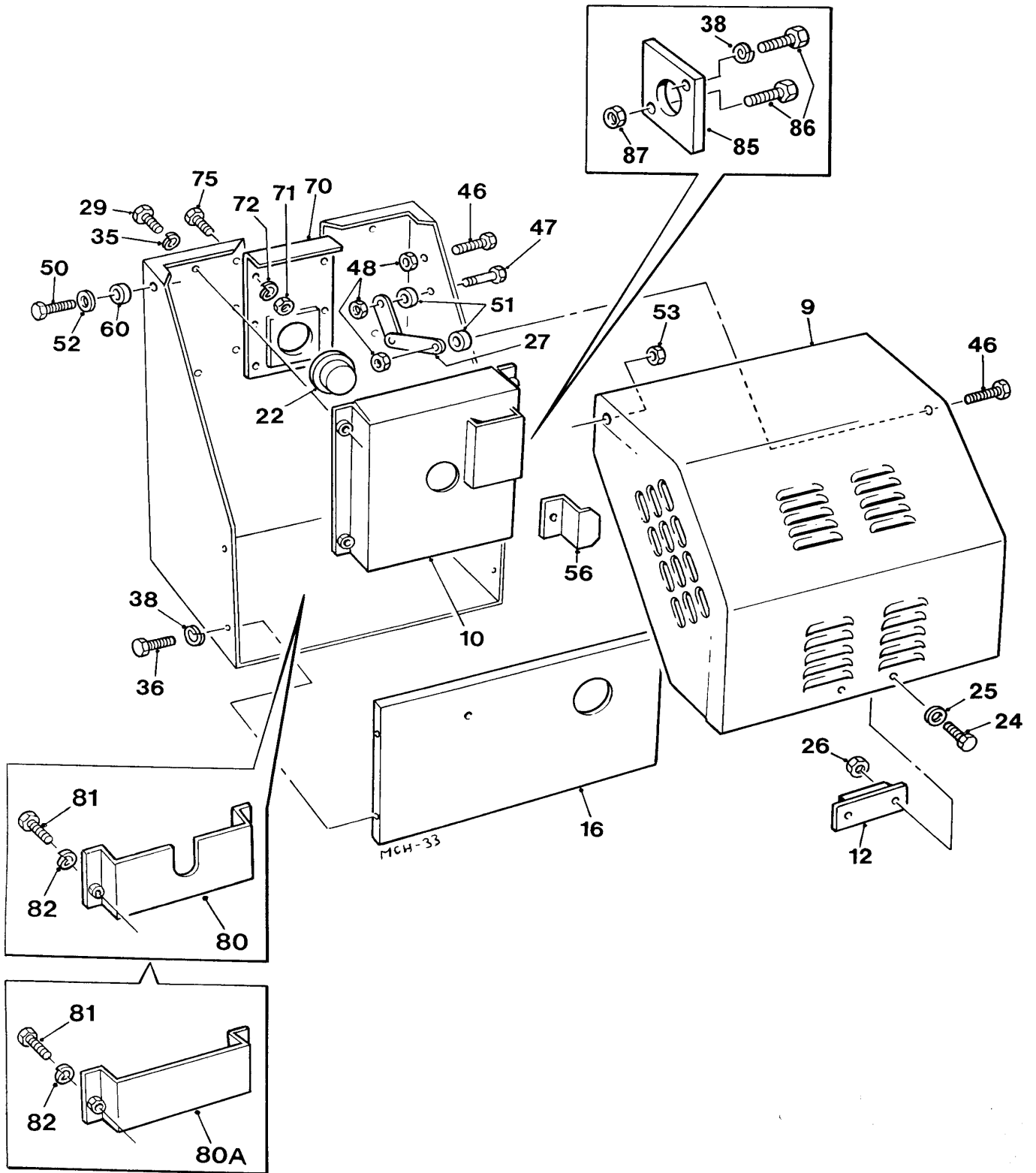
FOUR WHEEL MAINFRAME & TOW BAR**A - 1A**

| Item | Part no | Serial no | Description | Qty |
|-------------|----------------|------------------|---------------------------------|------------|
| | | 11195/ 05637/ | 100T 150T | |
| 56 | 513370700 | | LEVER, handbrake, assembly | 1 |
| 56A | 513370800 | | CATCH, sprung | 1 |
| 57 | 513370600 | | PIVOT, bracket | 1 |
| 57A | 11S04C | | SCREW, set, not illustrated | 2 |
| 57B | 17S05 | | WASHER, spring, not illustrated | 2 |
| 57C | 267S06 | | WASHER, flat, not illustrated | 2 |
| 58 | 10S18 | | WASHER, flat | 1 |
| 59 | 132412010 | | CIRCLIP | 1 |



MESH GUARDS**A - 1AA**

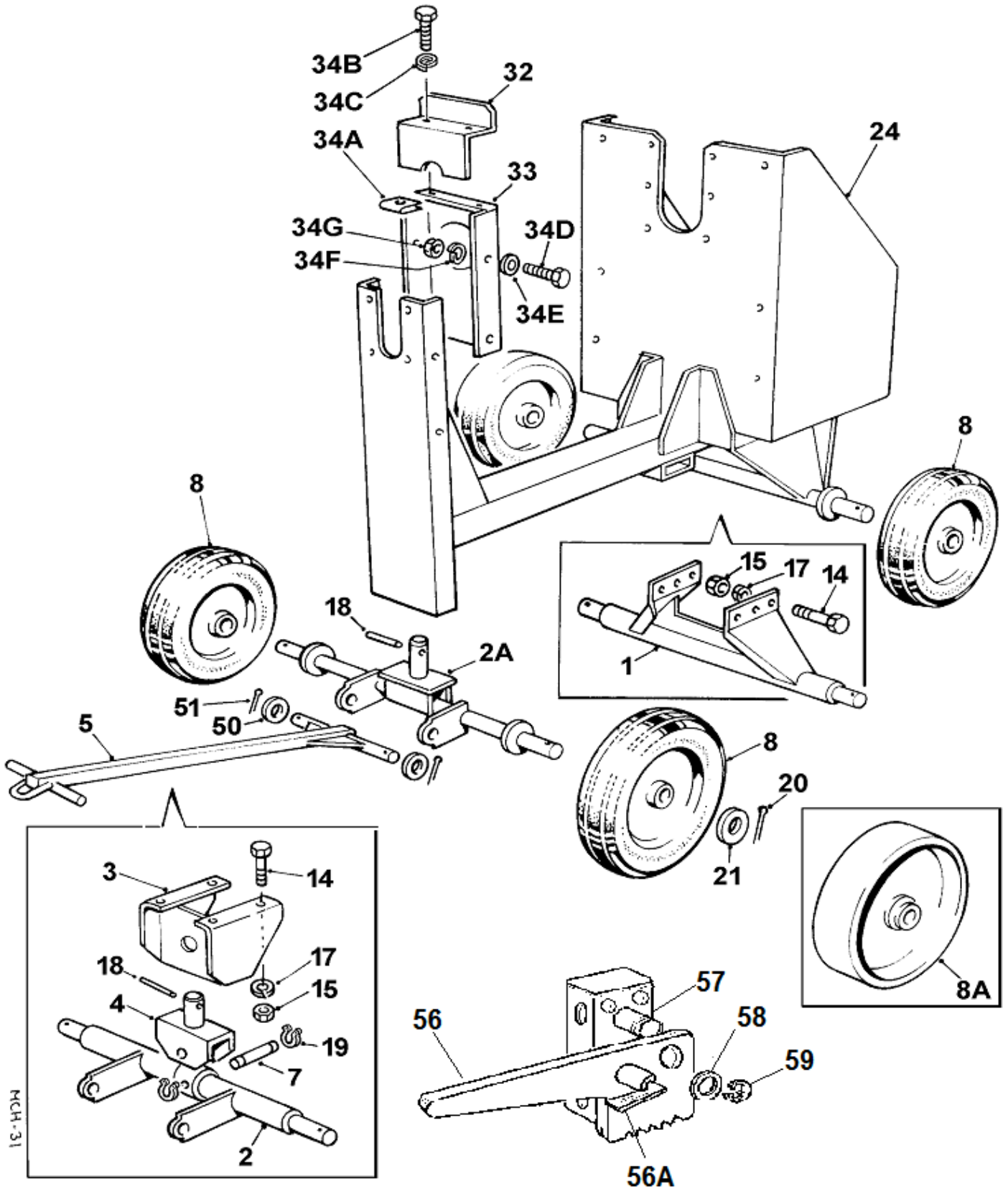
| Item | Part no | Serial no | Description | Qty |
|-------------|----------------|------------------|--------------------|------------|
| 1 | 513364300 | | GUARD, mesh, L.H. | 1 |
| 2 | 513364400 | | GUARD, mesh, R.H. | 1 |
| 3 | 513364500 | | GUARD, mesh, rear | 1 |
| 5 | 11S02B | | SCREW, set | 11 |
| 6 | 267S04 | | WASHER, flat | 22 |
| 7 | 61S02 | | NUT, self locking | 11 |



COVERS & GUARDS

A - 1B

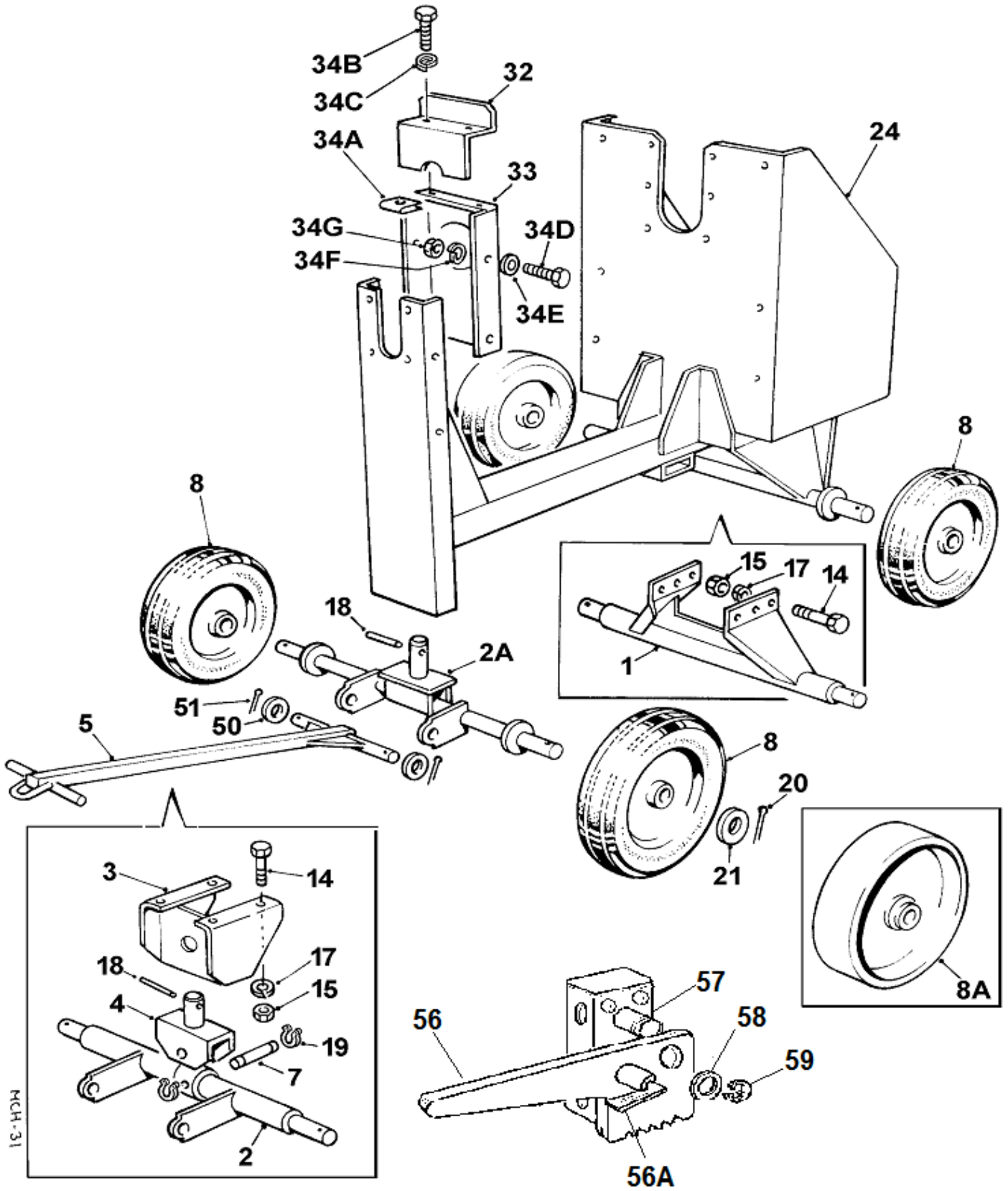
| Item | Part no | Serial no | Description | Qty |
|------|-----------|-----------|---|-----|
| 9 | 513341300 | | LID, engine housing | 1 |
| 10 | 513341400 | | GUARD, chain/belt | 1 |
| 12 | V2003109 | | STOP, rubber (<i>screw-in bobbin</i>) | 2 |
| 12 | 513205300 | | STOP, rubber (<i>two screw block</i>) | 1 |
| 16 | 513341500 | | PLATE, 100T , (<i>Not Honda engine</i>) | 1 |
| 16 | 513364100 | | PLATE, 100T , (<i>With Honda engine</i>) | 1 |
| 16 | 513341600 | | PLATE, 150T | 1 |
| 22 | 241859000 | | PLUG, polythene | 1 |
| 24 | 11S02A | | SCREW, set | 2 |
| 25 | 267S04 | | WASHER, flat | 2 |
| 26 | 61S02 | | NUT, Binx, self-locking | 2 |
| 27 | 513287200 | | STAY, housing lid | 1 |
| 29 | 11S02B | | SCREW, set | 4 |
| 35 | 17S03 | | WASHER, spring | 4 |
| 36 | 11S02B | | SCREW, set | 4 |
| 38 | 17S03 | | WASHER, spring | 4 |
| 46 | 28S02E | | SCREW, set | 2 |
| 47 | 6S02E | | BOLT | 1 |
| 48 | 87S02 | | NUT, binx, self-locking | 3 |
| 50 | 11S04E | | SCREW, set | 2 |
| 51 | 513340800 | | SPACER | 2 |
| 52 | 267S06 | | WASHER, flat | 4 |
| 53 | 7S04 | | NUT | 2 |
| 56 | 513285000 | / 05641 | BRACKET, starting handle, 100T | 1 |
| 56 | 513285000 | / 01725 | BRACKET, starting handle, 150T | 1 |
| 56 | | | <i>(Not used with Yanmar or Honda engines)</i> | |
| 60 | 555170000 | | SPACER | 2 |
| 70 | 513151800 | | BRACKET, trunnion | 1 |
| 71 | 104S03 | | NUT | 6 |
| 72 | 41S05 | | WASHER, spring | 6 |
| 75 | 66S03CC | | SCREW, set | 6 |
| 80 | 513355800 | | GUARD, (<i>electric motors only</i>) | 1 |
| 80A | 513362400 | | # GUARD, (150T with Yanmar eng. only) | 1 |
| 81 | 11S02A | | SCREW, set | 2 |
| 82 | 17S03 | | WASHER, spring | 2 |
| | | 06737 / | # 100T (<i>with Yanmar & Honda engines only</i>) | |
| | | 02719 / | # 150T (<i>with Yanmar engines only</i>) | |
| 85 | 513362600 | / | # PLATE | 1 |
| 86 | 11S02D | / | # SCREW, set | 2 |
| 87 | 61S02 | / | # NUT, Binx | 1/2 |



FOUR WHEEL MAINFRAME & TOW BAR

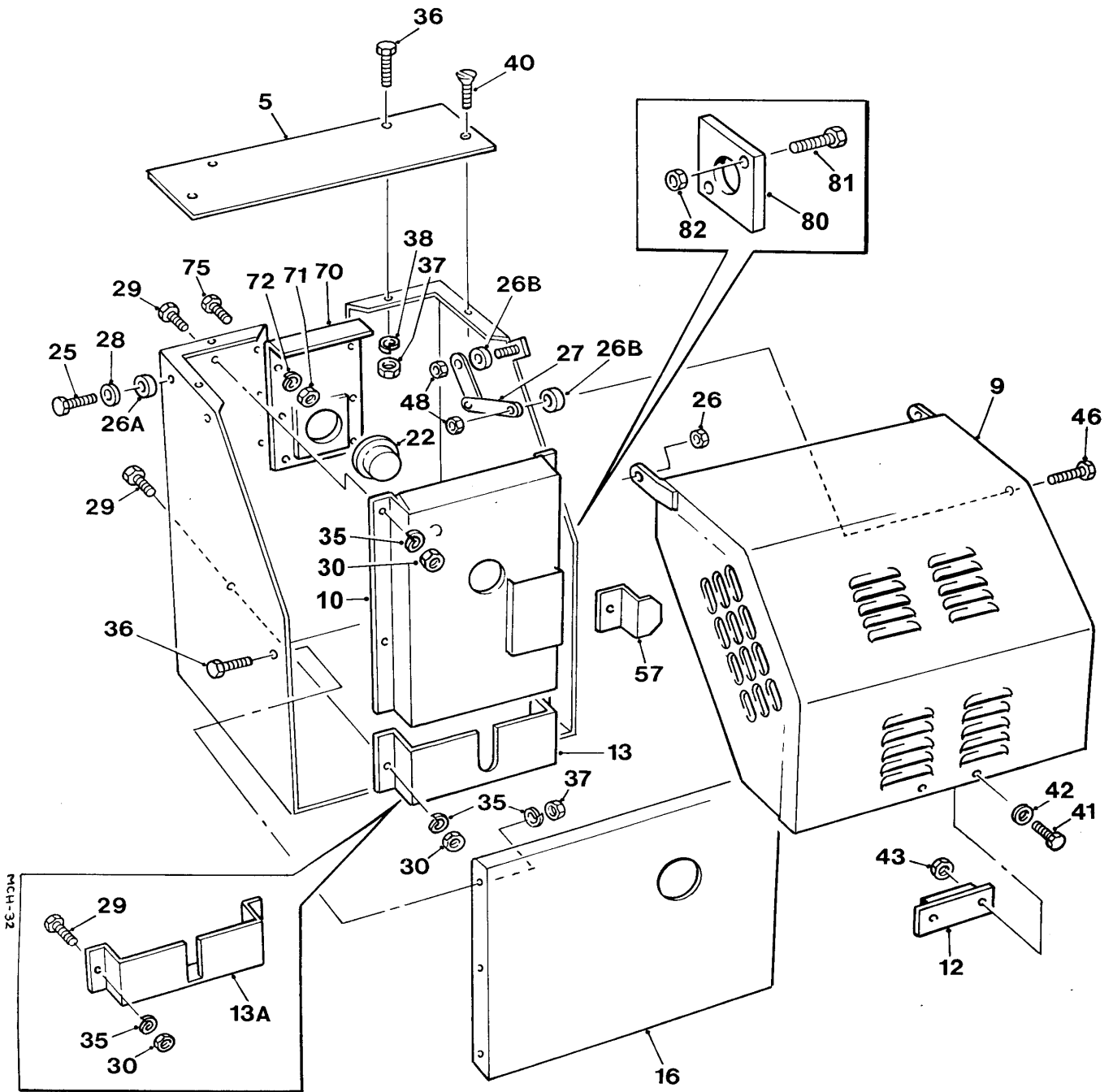
A - 2A

| Item | Part no | Serial no | Description | Qty |
|--------------------------|-----------|-----------|---|-----|
| 1 | 513275200 | / 01725 | AXLE, rear | 1 |
| 2 | 513203400 | / 01725 | AXLE, front | 1 |
| 2A | 513358100 | 01726 / | AXLE, front | 1 |
| 3 | 513274900 | / 01725 | BRACKET, front axle swivel | 1 |
| 4 | 513154500 | / 01725 | SWIVEL, front axle | 1 |
| 5 | 513341200 | | TOWBAR | 1 |
| 7 | 513155000 | / 01725 | PIN, pivot, front axle | 1 |
| 8 | 475106000 | / 02277 | WHEEL, cushion tyre, 355mm (14") dia | 4 |
| 8 | 475115000 | 02282 / | WHEEL, cushion tyre, 405mm (16") dia | 4 |
| Alternative wheel | | | | |
| 8A | 513198500 | | WHEEL, steel, 400x100mm (16" x4") | 4 |
| 14 | 69S05E | | BOLT | 10 |
| 15 | 192S05 | | NUT | 10 |
| 17 | 10S04 | | WASHER, flat | 10 |
| 18 | 353830650 | | PIN, spirol | 1 |
| 19 | 132412010 | / 01725 | CIRCLIP | 2 |
| 20 | 44S05G | | PIN, split | 4 |
| 21 | 10S09 | | WASHER, flat | 4 |
| 24 | 513269400 | | MAINFRAME | 1 |
| - | 513198400 | | GUARD, tilt wheel, assembly | 1 |
| 32 | 513198402 | | GUARD, upper | 1 |
| 33 | 513198401 | | GUARD, lower | 1 |
| 34A | 332719000 | / June-96 | NUT, captive (Replaced by nuts welded to guard) | 2 |
| 34B | 11S02B | | SCREW, set | 2 |
| 34C | 17S03 | | WASHER, spring | 2 |
| 34D | 66S03CC | | SCREW, set | 4 |
| 34E | 10S03 | | WASHER, flat | 4 |
| 34F | 41S05 | | WASHER, spring | 4 |
| 34G | 104S03 | | NUT | 4 |
| 50 | 10S17 | | WASHER, flat | 2 |
| 51 | 44S03D | | PIN, split | 2 |



FOUR WHEEL MAINFRAME & TOW BAR**A - 2A**

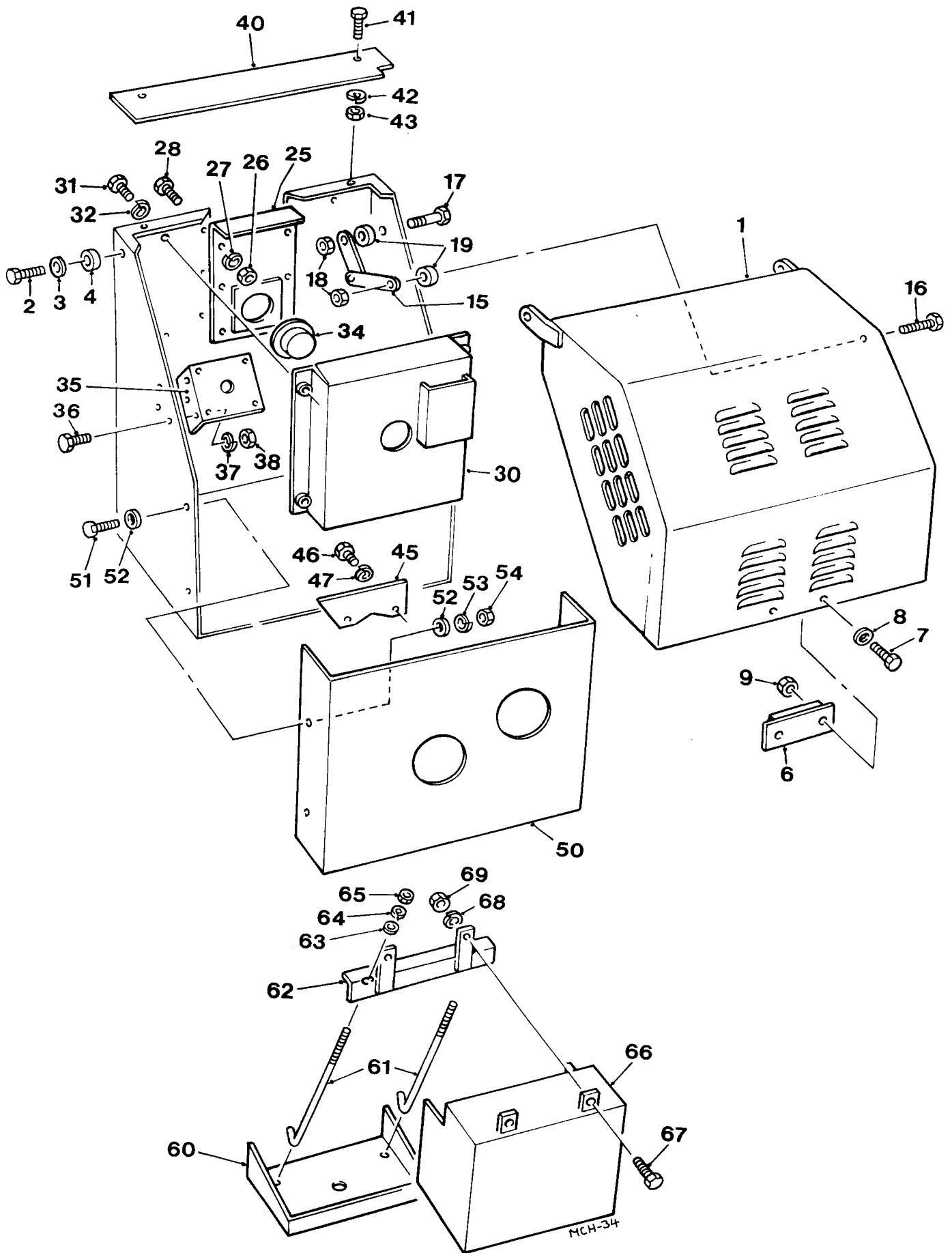
| Item | Part no | Serial no | Description | Qty |
|-------------|----------------|------------------|---------------------------------|------------|
| | | 05604/ | 175T | |
| 56 | 513370700 | | LEVER, handbrake, assembly | 1 |
| 56A | 513370800 | | CATCH, sprung | 1 |
| 57 | 513370600 | | PIVOT, bracket | 1 |
| 57A | 11S04C | | SCREW, set, not illustrated | 2 |
| 57B | 17S05 | | WASHER, spring, not illustrated | 2 |
| 57C | 267S06 | | WASHER, flat, not illustrated | 2 |
| 58 | 10S18 | | WASHER, flat | 1 |
| 59 | 132412010 | | CIRCLIP | 1 |



COVERS & GUARDS

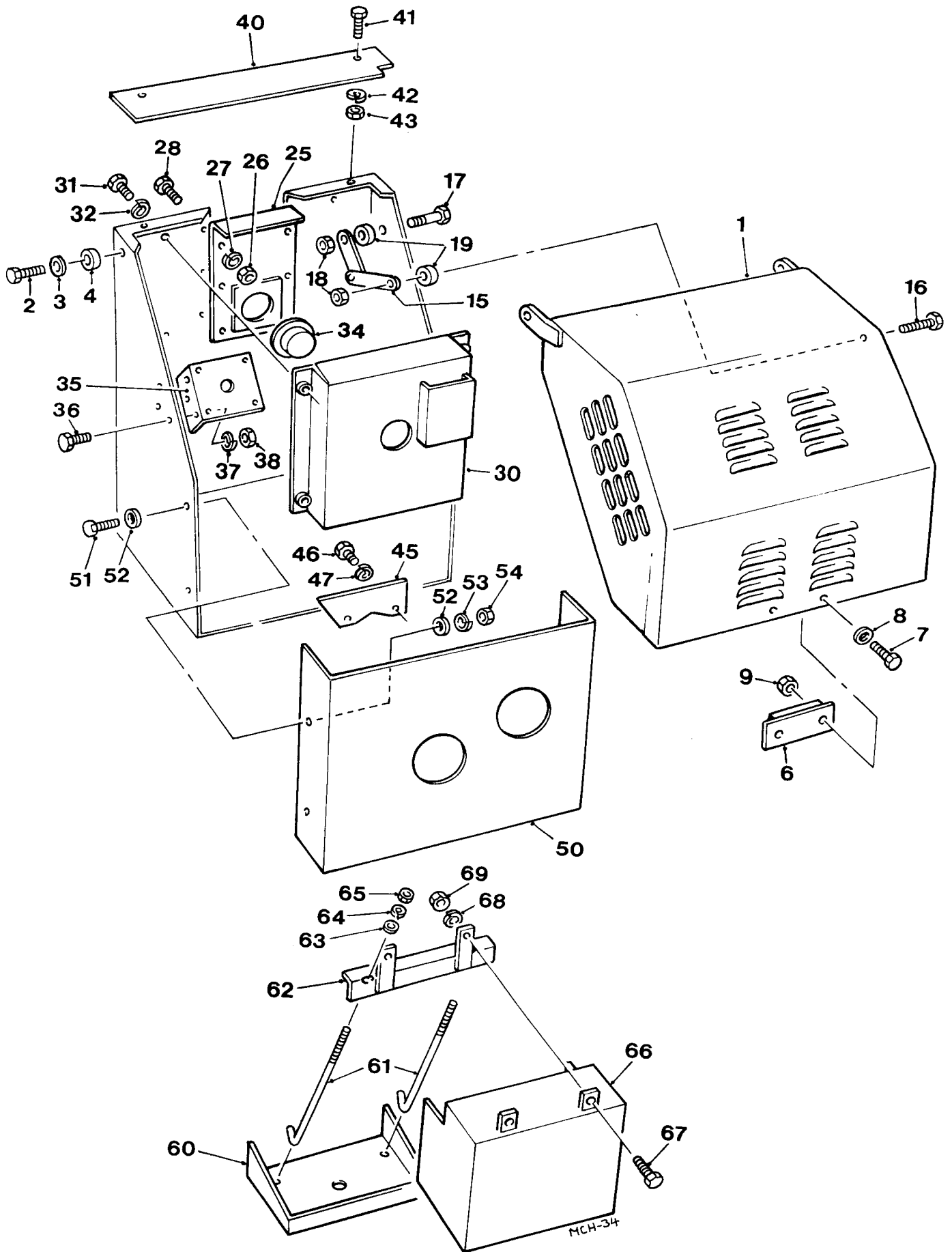
A - 2B

| Item | Part no | Serial no | Description | Qty |
|------|-----------|-----------|--|-----|
| 5 | 513287000 | | TOP PLATE, engine housing | 1 |
| 9 | 513286800 | | LID, engine housing | 1 |
| 10 | 513248700 | | GUARD, chain | 1 |
| 12 | V2003109 | | STOP, rubber (round screw-in bobbin) | 1 |
| 12 | 513205300 | | STOP, rubber (two screw block) | 1 |
| 13 | 513266900 | | GUARD, sprocket, diesel engine | 1 |
| 13A | 513205600 | | GUARD, sprocket, electric motor | 1 |
| 16 | 513270300 | | PLATE, closing | 1 |
| 22 | 241859000 | | PLUG, polythene | 1 |
| 25 | 11S04E | | SCREW, set | 2 |
| 26 | 7S04 | | NUT | 2 |
| 26A | 555170000 | | SPACER | 2 |
| 26B | 513340800 | | SPACER | 2 |
| 27 | 513287200 | | STAY, housing lid | 1 |
| 28 | 267S06 | | WASHER, flat | 2 |
| 29 | 66S03CC | | SCREW, set | 6 |
| 30 | 104S03 | | NUT | 6 |
| 35 | 41S05 | | WASHER, spring | 12 |
| 36 | 11S02A | | SCREW, set | 2 |
| 36A | 66S03CC | | SCREW, set | 6 |
| 37 | 7S02 | | NUT | 4 |
| 37A | 104S03 | | NUT | 6 |
| 38 | 17S03 | | WASHER, spring | 4 |
| 40 | 52S02C | | SCREW, c'sunk socket head | 2 |
| 41 | 11S02A | | SCREW, set | 2 |
| 42 | 267S04 | | WASHER, flat | 2 |
| 43 | 61S02 | | NUT, Binx, self-locking | 2 |
| 46 | 6S02E | | BOLT | 1 |
| 48 | 87S02 | | NUT, binx | 2 |
| 57 | 513285000 | | BRACKET, starting handle | 1 |
| 70 | 513151800 | | BRACKET, trunnion | 1 |
| 71 | 104S03 | | NUT | 6 |
| 72 | 41S05 | | WASHER, spring | 6 |
| 75 | 66S03CC | | SCREW, set | 6 |
| 80 | 513362600 | 02719 / | PLATE, (<i>with Yanmar engines</i>) | 1 |
| 81 | 11S02C | 02719 / | SCREW, set, (<i>with Yanmar engines</i>) | 2 |
| 82 | 61S02 | 02719 / | NUT, Binx, (<i>with Yanmar engines</i>) | 2 |



COVERS & GUARDS (Lister-Petter AC1-05 Electric Start) A - 3

| Item | Part no | Serial no | Description | Qty |
|------|-----------|-----------|-----------------------|-----|
| 1 | 513286800 | | LID, engine housing | 1 |
| 2 | 11S04C | | SCREW, set | 2 |
| 3 | 267S06 | | WASHER, flat | 2 |
| 4 | 555170000 | | SPACER | 2 |
| 6 | 513205300 | | STOP, rubber | 1 |
| 7 | 11S02A | | SCREW | 2 |
| 8 | 267S04 | | WASHER, flat | 2 |
| 9 | 61S02 | | NUT, Binx | 2 |
| 15 | 513287200 | | STAY, housing lid | 1 |
| 16 | 6S02E | | BOLT | 1 |
| 17 | 28S02E | | SCREW, set | 1 |
| 18 | 87S02 | | NUT, Binx | 2 |
| 19 | 513340800 | | SPACER | 2 |
| 25 | 513151800 | | BRACKET, trunnion | 1 |
| 26 | 104S03 | | NUT | 6 |
| 27 | 41S05 | | WASHER, spring | 6 |
| 28 | 66S03CC | | SCREW, set | 6 |
| 30 | 513341400 | | GUARD, chain | 1 |
| 31 | 11S02A | | SCREW, set | 4 |
| 32 | 17S03 | | WASHER, spring | 4 |
| 34 | 241859000 | | PLUG, polythene | 1 |
| 35 | 513359200 | | BRACKET, start switch | 1 |
| 36 | 11S03A | | SCREW, set | 3 |
| 37 | 17S04 | | WASHER | 3 |
| 38 | 7S03 | | NUT | 3 |
| 40 | 513358900 | | PLATE, top infill | 1 |
| 41 | 11S02A | | SCREW, set | 2 |
| 42 | 17S03 | | WASHER, spring | 2 |
| 43 | 7S02 | | NUT | 2 |
| 45 | 513359100 | | PLATE, belt guard | 1 |
| 46 | 66S03C | | SCREW, set | 1 |
| 47 | 41S05 | | WASHER, spring | 1 |
| 50 | 513358400 | | PLATE, closing | 1 |
| 51 | 11S02A | | SCREW, set | 4 |
| 52 | 267S04 | | WASHER, flat | 8 |
| 53 | 17S03 | | WASHER, spring | 4 |
| 54 | 7S02 | | NUT | 4 |

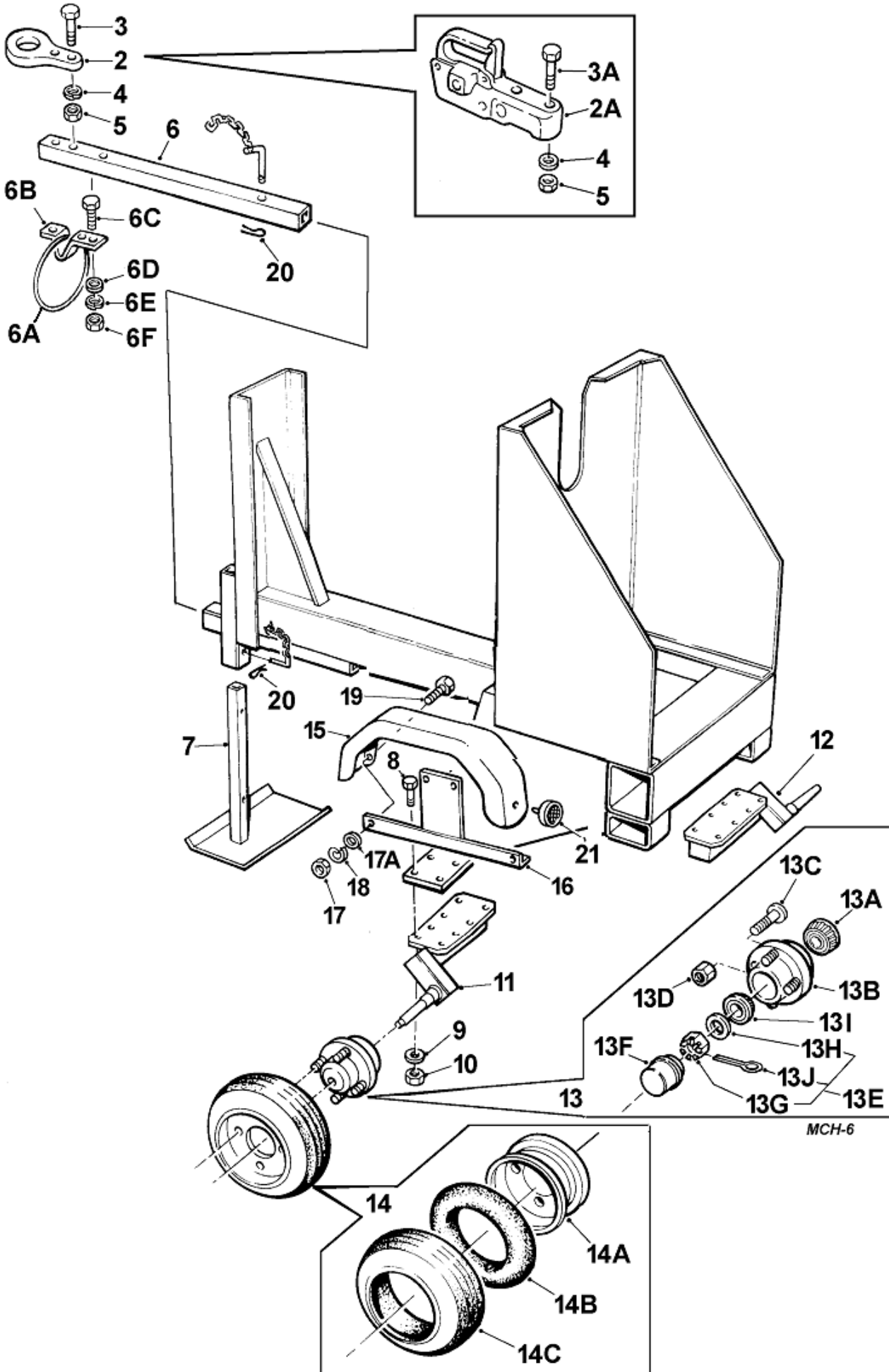


COVERS & GUARDS (Lister-Petter AC1-05 Electric Start) **A - 3**

| Item | Part no | Serial no | Description | Qty |
|------|---------|-----------|-------------|-----|
|------|---------|-----------|-------------|-----|

Continued>>>

| | | | | |
|----|-----------|--|--------------------------------------|---|
| 60 | 513358500 | | BRACKET, battery (welded to chassis) | 1 |
| 61 | V2004120 | | ROD | 2 |
| 62 | V2004055 | | CLAMP | 1 |
| 63 | 267S04 | | WASHER, flat | 2 |
| 64 | 17S03 | | WASHER, spring | 2 |
| 65 | 7S04 | | NUT | 2 |
| 66 | 513358600 | | COVER, battery | 1 |
| 67 | 11S04B | | SCREW, set | 2 |
| 68 | 17S05 | | WASHER, spring | 2 |
| 69 | 7S04 | | NUT | 2 |



TWO WHEEL MAINFRAME & TOW BAR

A - 4

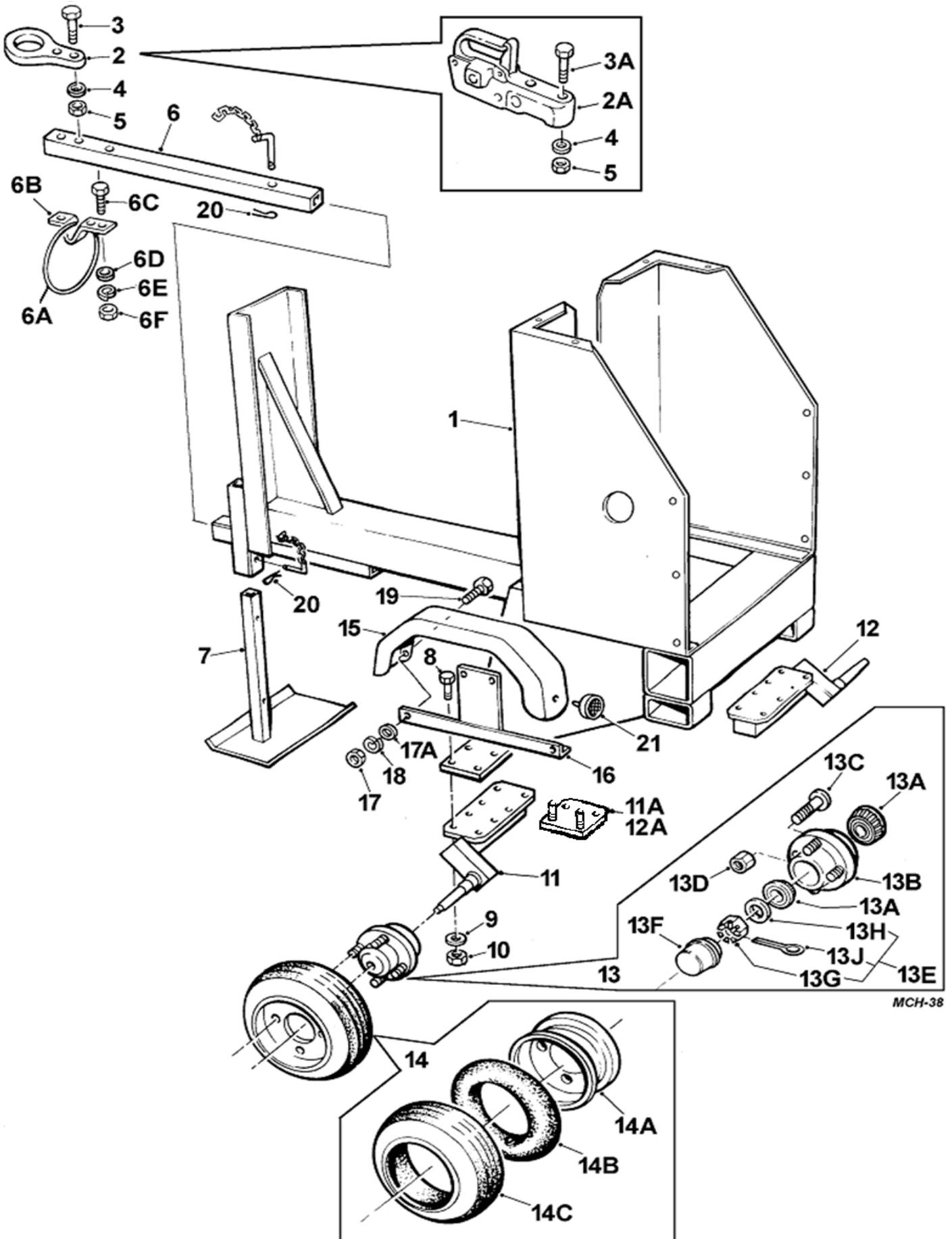
| Item | Part no | Date | Description | Qty |
|------|-----------|----------|--|----------|
| - | 513342200 | | MAINFRAME, assembly, 100T | 1 |
| - | 513342300 | | MAINFRAME, assembly, 150T | 1 |
| 1 | 513344200 | | MAINFRAME, 100T | 1 |
| 1 | 513344300 | | MAINFRAME, 150T | 1 |
| 2 | 513344000 | | EYE, towing | 1 |
| 2A | 513364700 | Nov-03 / | COUPLING, towing | 1 |
| 3 | 8S04E | | BOLT | 2 |
| 3A | 8S04L | Nov-03 / | BOLT | 2 |
| 4 | 267S06 | | WASHER, spring | 2 |
| 5 | 59S03 | | NUT | 2 |
| 6 | 513343800 | | ARM, towing, adjustable | 1 |
| 6A | V2004765 | | CABLE, breakaway, towbar | 1 |
| 6B | V2004765A | | SUPPORT, towbar | 1 |
| 6C | 11S04C | | SCREW, set | 3 |
| 6D | 267S06 | | WASHER, flat | 3 |
| 6E | 17S05 | | WASHER, spring | 3 |
| 6F | 7S04 | | NUT | 3 |
| 7 | 513343900 | | LEG, adjustable | 1 |
| 8 | 8S03B | | BOLT | 16 |
| 9 | 267S05 | | WASHER, flat | 16 |
| 10 | 61S03 | | NUT, locking | 16 |
| 11 | 475130300 | | # SUSPENSION UNIT, L.H. | 2 |
| 12 | 475130400 | | # SUSPENSION UNIT, R.H. | 2 |
| 13 | 475130200 | | # HUB, wheel, assembly | 2 |
| 13A | V600149 | | KIT, bearing | 2 |
| 13B | V600150 | | HUB | 1 |
| 13C | V600151 | | \$ KIT, stud, imperial 3/8" UNF | set of 4 |
| 13C | V603612 | | \$ KIT, stud, metric M10 fine | set of 4 |
| 13D | V600152 | | \$ KIT, nut, imperial 3/8" UNF | set of 4 |
| 13D | V603611 | | \$ KIT, nut, metric M10 fine | set of 4 |
| | | | \$ <i>When ordering state whether "Metric" or "Imperial"</i> | |
| 13E | V600153 | | KIT, fastening | 1 |
| 13F | V600154 | | CAP | 1 |
| 13G | 216S08 | | NUT, "metric" | 1 |
| 13G | 92S07 | | NUT, "imperial" | 1 |
| 13H | 10S05 | | WASHER | 1 |
| 13I | 475117006 | | BEARING | 1 |
| 13J | 44S03C | | PIN, split | 1 |
| 14 | 475117021 | | # WHEEL, assembly | 2 |
| 14A | V600155 | | RIM, wheel | 1 |
| 14B | 475117008 | | TUBE, inner | 1 |
| 14C | 475117007 | | TYRE | 1 |

Items 11, 12, 13, & 14 are supplied as part of kit suspension. Part number 513343700

TWO WHEEL MAINFRAME & TOW BAR

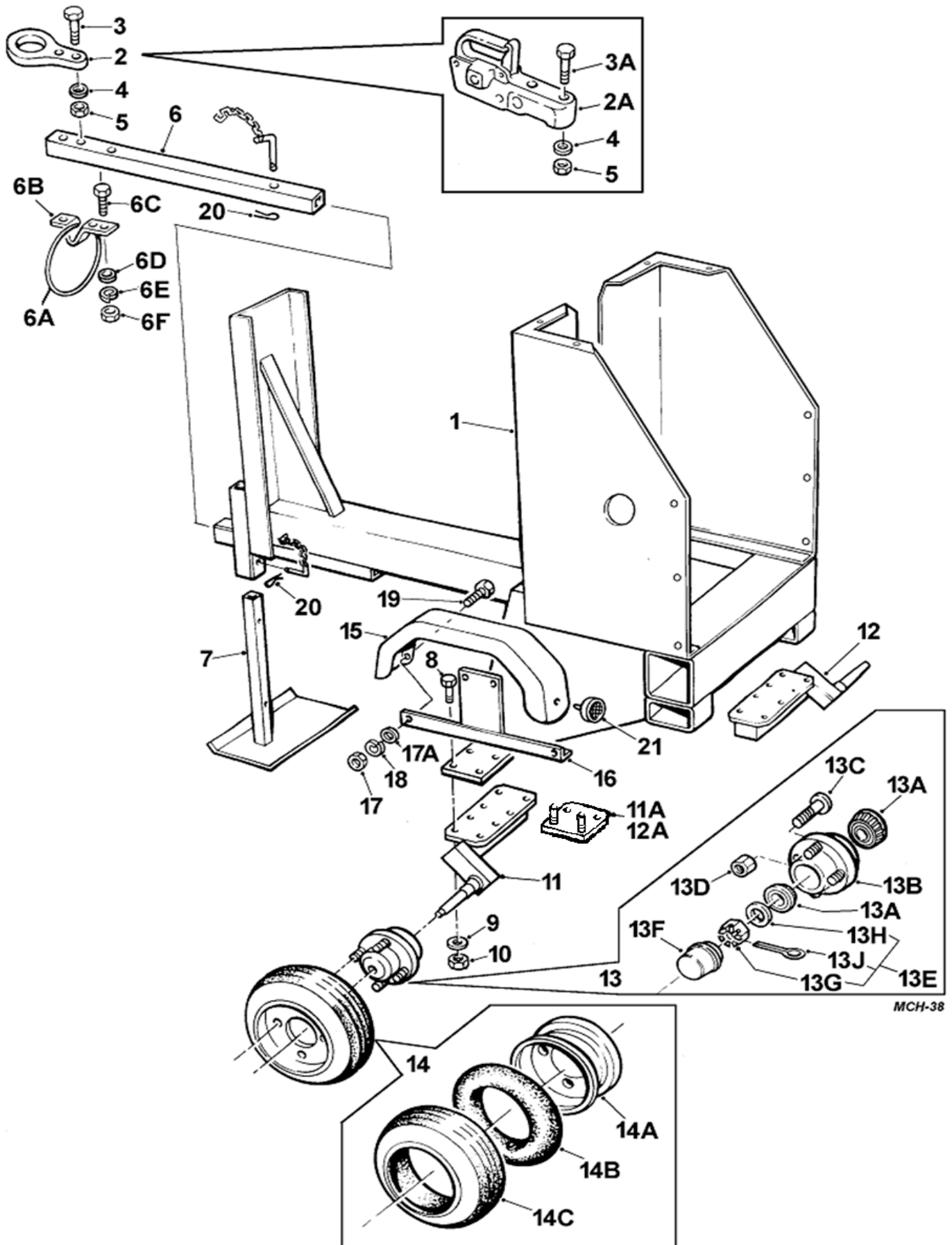
A - 4

| Item | Part no | Serial no | Description | Qty |
|--|------------|-----------------|--|-----|
| 15 | 513167900 | 804120 / | MUDGUARD | 2 |
| 16 | 513345700 | 804120 Sept '16 | BRACKET, mudguard | 2 |
| 16 | 513345700 | Sept '16 / | BRACKET, mudguard | 2 |
| 17 | 104S03 | 804120 / | NUT | 6/8 |
| 17A | V2004220 | Sept '16 / | WASHER, flat | 4 |
| 18 | 41S05 | 804120 / | WASHER, spring | 6/8 |
| 19 | 200S03E | 804120 / | SCREW, round head | 6/8 |
| 20 | 902S02 | 804120 / | PIN, lynch | 2 |
| 21 | 386102000 | 804120 / | REFLECTOR, red, non triangular, rear of mudguard, not EU from serial nos below | 2 |
| <i>Following parts are not illustrated</i> | | | | |
| <i>From serial nos 100T-09456, 150T-05103</i> | | | | |
| 22 | 386103000 | | REFLECTOR, white, non triangular front of mudguard | 2 |
| 22A | 513369300S | | BRACKET, reflector, white, straight | 2 |
| 22B | 11S01A | | SCREW, set | 4 |
| 22C | 267S03 | | WASHER, flat | 6 |
| 22D | 59S13 | | NUT, nyloc | 4 |
| 23 | 386104000 | | REFLECTOR, amber, non triangular top of mudguard | 2 |
| 23A | 513369300F | | BRACKET, reflector, amber, folded | 2 |
| 23B | 11S01A | | SCREW, set | 4 |
| 23C | 267S03 | | WASHER, flat | 6 |
| 23D | 59S13 | | NUT, nyloc | 4 |
| 24 | V2006349 | | BOARD, lighting | 1 |
| 24A | 513369700 | | BUSH, flanged, plastic | 4 |
| 25 | 513369600 | | PLATE, lighting board mounting | 1 |
| 25A | 8S04F | | BOLT, plate retaining | 2 |
| 25B | V2004220 | | WASHER, special | 4 |
| 25C | 59S03 | | NUT, nyloc | 2 |
| 26 | V2006351 | | NUT, winged | 2 |
| 27 | 267S06 | | WASHER, flat | 2 |



TWO WHEEL MAINFRAME & TOW BAR

| Item | Part no | Serial no | Description | Qty |
|---|-----------|-----------|---|-----|
| | 513345100 | 02184 / | MAINFRAME, assembly | |
| 1 | 513360200 | | MAINFRAME, 175T FT | 1 |
| 2 | 513344000 | | EYE, towing | 1 |
| 2A | 513364700 | Nov-03 / | COUPLING, towing | 1 |
| 3 | 8S04E | | BOLT | 2 |
| 3A | 8S04L | Nov-03 / | BOLT | 2 |
| 4 | 267S06 | | WASHER, spring | 2 |
| 5 | 59S03 | | NUT | 2 |
| 6 | 513343800 | | ARM, towing, adjustable | 1 |
| 6A | V2004765 | | CABLE, breakaway, towbar | 1 |
| 6B | V2004765A | | SUPPORT, towbar | 1 |
| 6C | 11S04C | | SCREW, set | 3 |
| 6D | 267S06 | | WASHER, flat | 3 |
| 6E | 17S05 | | WASHER, spring | 3 |
| 6F | 7S04 | | NUT | 3 |
| 7 | 513343900 | | LEG, adjustable | 1 |
| 8 | 11S05E | | SCREW, set | 16 |
| 8A | 11S05F | 05250/ | SCREW, set, <i>use with 11A & 12A</i> | 4 |
| 9 | 267S07 | | WASHER, flat | 16 |
| 10 | 61S05 | | NUT, locking | 16 |
| 11 | 475130500 | | SUSPENSION UNIT, L.H. | 2 |
| <i>Peak Dynamic Suspension units with a longer radius arm introduced from S/No 05250. If replacing earlier units with Peak they must be replaced in pairs</i> | | | | |
| 11A | 513370200 | 05250/ | BRACKET, mudguard LH (PEAK SUS) | 1 |
| 11B | 59S04 | 05250/ | NUT, nyloc | 2 |
| 11C | 267S07 | 05250/ | WASHER, flat | 2 |
| 12 | 475130600 | | SUSPENSION UNIT, R.H. | 2 |
| <i>Peak Dynamic Suspension units with a longer radius arm introduced from S/No 05250. If replacing earlier units with Peak they must be replaced in pairs</i> | | | | |
| 12A | 513370100 | 05250/ | BRACKET, mudguard RH (PEAK SUS) | 1 |
| 12B | 59S04 | 05250/ | NUT, nyloc | 2 |
| 12C | 267S07 | 05250/ | WASHER, flat | 2 |
| 13 | 475130800 | | HUB, wheel, assembly | 2 |
| 13A | V602718 | | KIT, bearing | 2 |
| 13B | V602719 | | HUB | 1 |
| 13C | V602721 | | KIT, stud | 4 |
| 13D | V602720 | | KIT, wheel nut | 4 |
| 13E | V600153 | | KIT, fastening | 1 |
| 13F | V602722 | | CAP | 1 |
| 13G | 216S08 | | NUT, "metric" | 1 |
| 13G | 92S07 | | NUT, "imperial" | 1 |
| 13H | 10S05 | | WASHER | 1 |
| 13J | 44S03C | | PIN, split | 1 |



| Item | Part no | Serial no | Description | Qty |
|------|-----------|-----------|---|-----|
| 13H | 10S05 | | WASHER | 1 |
| 13J | 44S03C | | PIN, split | 1 |
| 14 | 475130700 | | WHEEL, assembly, 10" | 2 |
| 14A | V602717 | | RIM, wheel, 10" | 1 |
| 14B | 475123001 | | TUBE, inner | 1 |
| 14C | 475123002 | | TYRE, 10" | 1 |
| 15 | 513361000 | | MUDGUARD, plastic | 2 |
| 16 | 513361100 | | BRACKET, mudguard | 2 |
| 17 | 104S03 | | NUT | 8 |
| 17A | V2004220 | | WASHER, "Special" | 8 |
| 18 | 41S05 | | WASHER, spring | 8 |
| 19 | 200S03E | | SCREW, round head | 8 |
| 20 | 902S02 | | PIN, lynch | 2 |
| 21 | 386102000 | | REFLECTOR, red, non triangular rear of mudguard | 2 |

Following parts are not illustrated

| | | | | |
|-----|-----------|--------|--|---|
| 21A | 386103000 | 05101/ | REFLECTOR, white, non triangular front of mudguard | 2 |
| 21B | 11S01A | 05101/ | SCREW, set, reflector mounting | 2 |
| 21C | 267S03 | 05101/ | WASHER, flat | 2 |
| 21D | 59S13 | 05101/ | NUT, nyloc | 2 |
| 22 | V2006349 | 05101/ | BOARD, lighting | 1 |
| 22A | 513369700 | 05101/ | BUSH, flanged, plastic | 4 |
| 23 | 513369600 | 05101/ | PLATE, lighting board mounting | 1 |
| 23A | 8S04F | 05101/ | BOLT, plate retaining | 2 |
| 23B | V2004220 | 05101/ | WASHER, special | 4 |
| 23C | 59S03 | 05101/ | NUT, nyloc | 2 |
| 23D | V2006351 | 05101/ | NUT, winged | 2 |
| 23E | 267S06 | 05101/ | WASHER, flat | 2 |

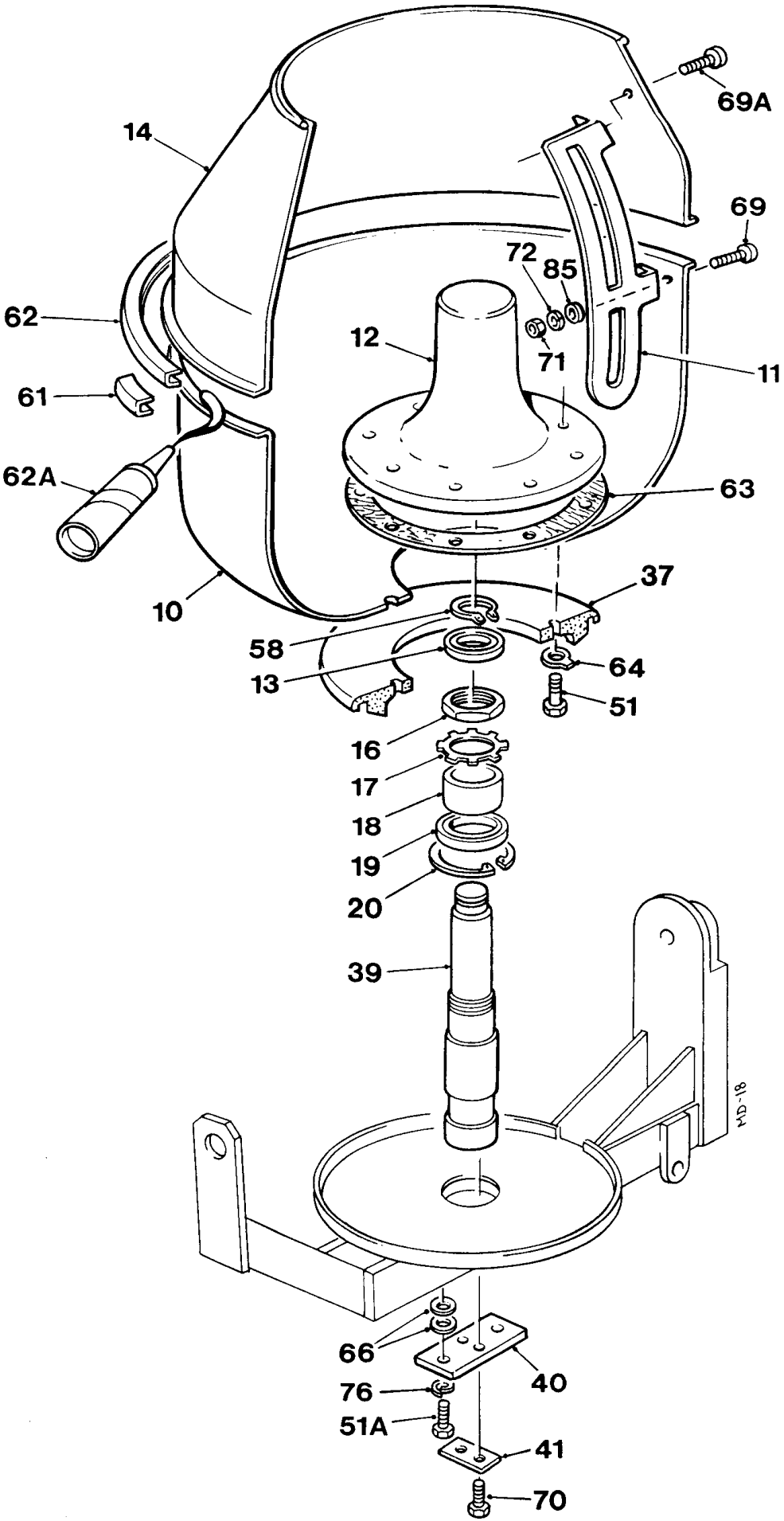
The mudguard, item no 15, part no 513361000, is normally supplied fitted with a rectangular amber side reflector, should the mudguard not be supplied with the integral reflectors the following parts may be fitted

| | | | | |
|-----|------------|--------|--|----|
| 24 | 386104000 | 05101/ | REFLECTOR, amber, non triangular top of mudguard | 2 |
| 24A | 513369300F | 05101/ | BRACKET, folded, amber reflector | 2 |
| 24B | 11S01A | 05101/ | SCREW, set | 6 |
| 24C | 267S03 | 05101/ | WASHER, flat | 10 |
| 24D | 59S13 | 05101/ | NUT, nyloc | 6 |

DRUM

B - 1A

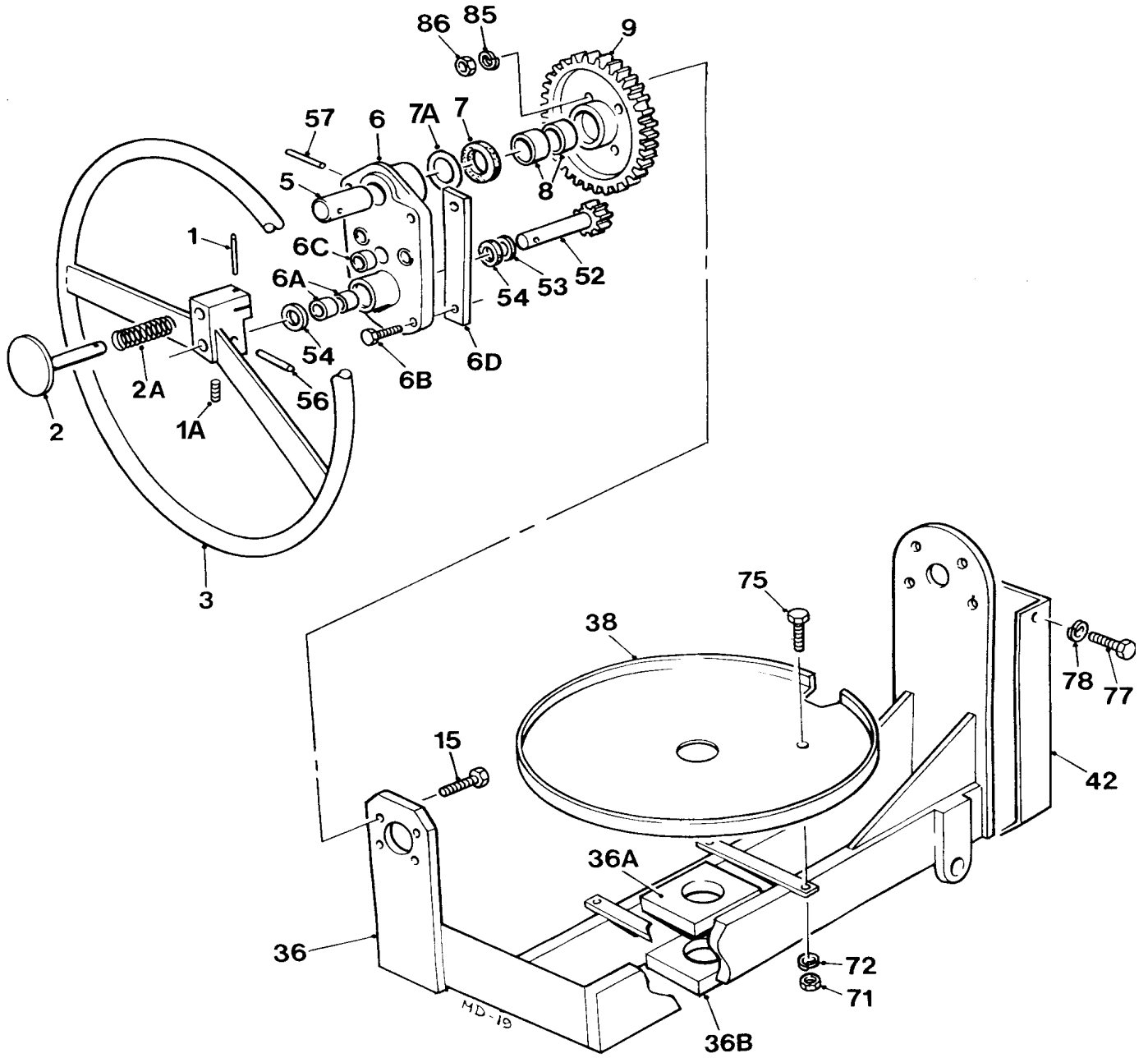
| Item | Part no | Serial no | Description | Qty |
|------|-----------|-----------|---|--------|
| 10 | 513152901 | | BASE, drum, 100T | 1 |
| 10 | 513161001 | | BASE, drum, 150T & 175T | 1 |
| 11 | 513151100 | | BLADE, 100T (<i>Not Honda engines</i>) | 2 |
| 11 | 513363100 | | BLADE, 100T (<i>With Honda engines</i>) | 2 |
| 11 | 513157500 | | BLADE, 150T & 175 | 2 |
| 12 | 513149600 | | DRUM CENTRE | 1 |
| 13 | 88S07D | | BEARING | 1 |
| 14 | 513152902 | | CONE, drum, 100T | 1 |
| 14 | 513161002 | | CONE, drum, 150T | 1 |
| 14 | 513203202 | | CONE, drum, 175T | 1 |
| 16 | 513208800 | | NUT, locking | 1 |
| 17 | 22096210 | | WASHER, locking | 1 |
| 18 | 513152300 | | DISTANCE PIECE, drum shaft | 1 |
| 19 | 88S20D | | BEARING | 1 |
| 20 | 132390000 | | CIRCLIP | 1 |
| 37 | 513150100 | | BEVEL GEAR, drum | 1 |
| 39 | 513152200 | | SHAFT, drum | 1 |
| 40 | 513152000 | | FLANGE, drum shaft | 1 |
| 41 | 513152100 | | WASHER, tab | 1 |
| 51 | 66S05D | | SCREW | 8 |
| 51A | 28S05G | | SCREW | 2 |
| 58 | 142330000 | | CIRCLIP | 1 |
| 61 | 513203900 | | BRIDGE PIECE, 100T | 1 |
| 61 | 513203800 | | BRIDGE PIECE, 150T & 175T | 1 |
| 62 | 513203600 | | CLIP, drum, 100T | 1 |
| 62 | 513203100 | | CLIP, drum, 150T & 175T | 1 |
| 62A | V2000772 | | SEALANT | tube 1 |
| 63 | 513202800 | | GASKET | 1 |
| 64 | 513199800 | | WASHER, tab | 6 |
| 66 | 10S04 | | WASHER, flat | AR |
| 69A | 200S03E | | SCREW, blade upper, 100T , obsolete, use | |
| 69A | 301S06F | | SCREW, blade upper, 100T , metric | 4 |
| 69 | 200S03G | | SCREW, blade lower, 100T , obsolete, use | |
| 69 | 301S06H | | SCREW, blade lower, 100T , metric | 4 |
| 69A | 200S03G | | SCREW, blade upper, 150T/175T obsolete, use | |
| 69A | 301S06H | | SCREW, blade upper 150T/175T metric | 4 |
| 69 | 200S03H | | SCREW, blade lower, 150T/175T obsolete, use | |
| 69 | 301S06J | | SCREW, blade lower 150T/175T metric | 4 |



14-D-18

DRUM**B - 1A**

| Item | Part no | Serial no | Description | Qty |
|-------------|----------------|------------------|---|------------|
| 70 | 28S05G | | SCREW | 2 |
| 71 | 104S03 | | NUT, imperial, obsolete, use | |
| 71 | 7S04 | | NUT, metric | 8 |
| 72 | 41S05 | | WASHER, spring, imperial, obsolete, use | |
| 72 | 17S05 | | WASHER, spring, metric | 8 |
| 76 | 41S07 | | WASHER, spring | 2 |
| 85 | 10S03 | | WASHER, flat, imperial, obsolete, use | |
| 85 | 267S06 | | WASHER, flat, metric | 8 |



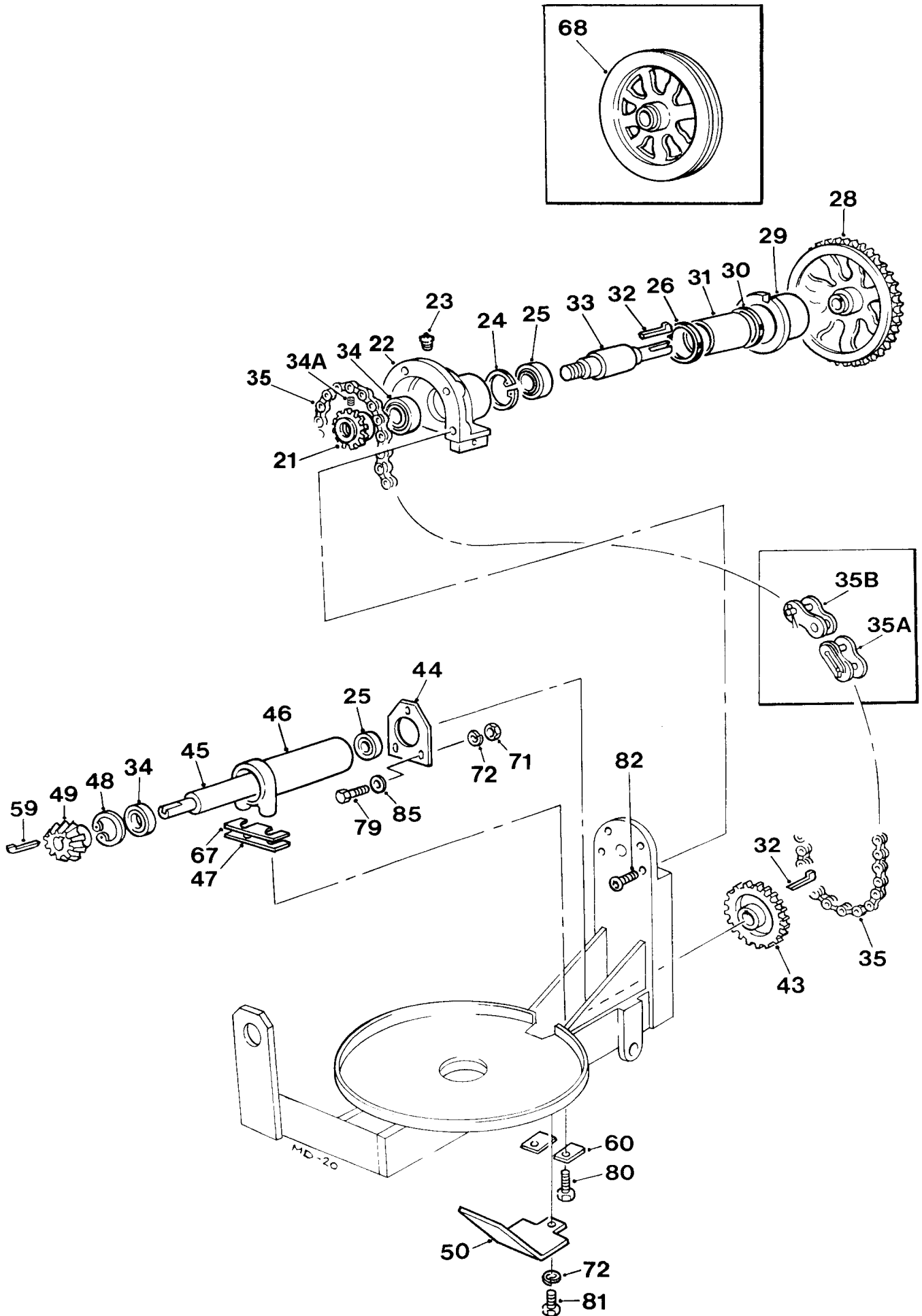
TRUNNION & TILT WHEEL

B - 1B

| Item | Part no | Serial no | Description | Qty |
|------|-----------|-----------|--------------------------------------|-----|
| 1 | 54S01A | | PIN, spirol | 1 |
| 1A | 57S06F1 | 05999 / | SCREW, grub, 100T | 1 |
| 1A | 57S06F1 | 02026 / | SCREW, grub, 150T | 1 |
| 1A | 57S06F1 | 02021 / | SCREW, grub, 175T | 1 |
| 2 | 513194400 | | PLUNGER, locking | 1 |
| 2A | 513345300 | 803866 / | SPRING, plunger, 100T | 1 |
| 2A | 513345300 | 801072 / | SPRING, plunger, 150T | 1 |
| 2A | 513345300 | 801081 / | SPRING, plunger, 175T | 1 |
| 3 | 513345400 | | HANDWHEEL | 1 |
| 5 | 513151000 | | STUB, trunnion journal | 1 |
| - | 513149400 | | BRACKET, tilting, assembly | 1 |
| 6 | - | | BRACKET, tilting (order assembly) | 1 |
| 6A | 112821000 | | BUSH | 2 |
| 6B | 103S04C | | SCREW, socket head cap | 4 |
| 6C | 114625320 | | BUSH | 3 |
| 6D | 513212300 | | RETAINING BAR, tilting bracket | 2 |
| 7 | 225520280 | | FELT SEAL | 1 |
| 7A | 10S09 | | WASHER, flat | AR |
| 8 | 112820000 | | BUSH | 2 |
| 9 | 513149300 | | GEAR, tilting | 1 |
| 15 | 6S03E | | BOLT | 4 |
| 36 | 513211400 | | TRUNNION, 100T | 1 |
| 36 | 513211500 | | TRUNNION, 150T & 175T | 1 |
| 36A | 513212000 | | PLATE, upper (welded) | 1 |
| 36B | 513212000 | | PLATE, lower (welded) | 1 |
| 38 | 513153000 | | GUARD, bevel gear | 1 |
| 42 | 513152700 | | GUARD, chain, 100T | 1 |
| 42 | 513203300 | | GUARD, chain, 150T & 175T | 1 |
| 52 | 513345600 | | PINION, tilting | 1 |
| 53 | 10S18 | | WASHER, flat | 1 |
| 54 | 225514220 | | WASHER, felt | 2 |
| 56 | 513374900 | | PIN, grooved | 1 |
| 57 | 55S07Q | | PIN, spirol | 1 |
| 71 | 104S03 | | NUT | 4 |
| 72 | 41S05 | | WASHER, spring | 4 |
| 75 | 66S03CC | | SCREW, set | 4 |
| 77 | 66S02CC | | SCREW, set | 2 |
| 78 | 41S04 | | WASHER, spring | 2 |
| 85 | 10S03 | | WASHER, flat | 4 |
| 86 | 107S14 | | NUT, 'Nyloc' self-locking | 4 |

B - 1C

100T, 150T & 175T Mixers from February 1988



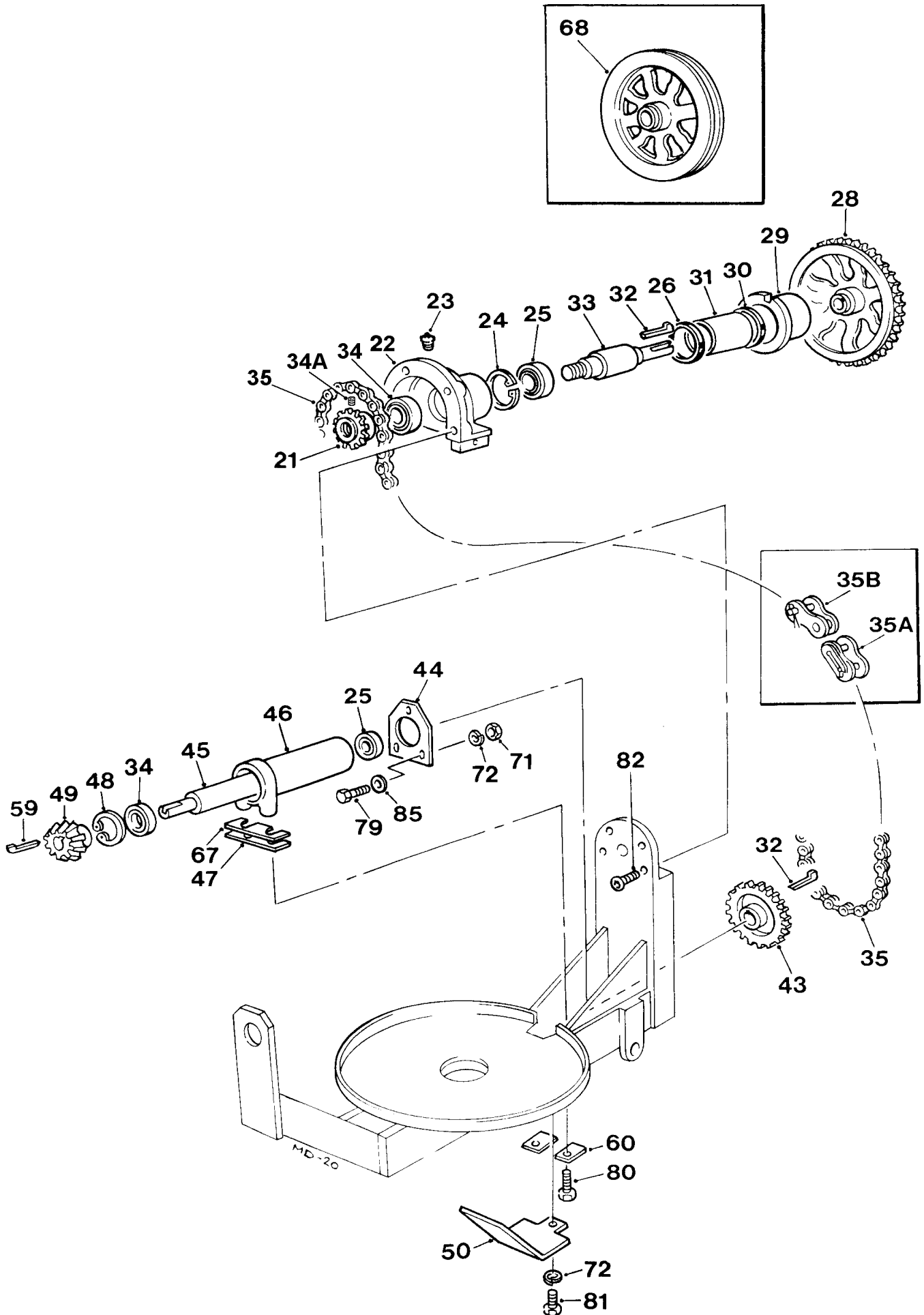
DRUM DRIVE

B - 1C

| Item | Part no | Serial no | Description | Qty |
|------|-----------|-----------|---|--------|
| 21 | 513151600 | | SPROCKET, countershaft, L.H. thread (Not Honda engines) | 1 |
| 21 | 513363200 | | SPROCKET, countershaft, R.H. thread (With Honda engines) | 1 |
| 22 | 513149700 | | JOURNAL, trunnion | 1 |
| 23 | 315803100 | | PLUG, lubricating | 1 |
| 24 | 132352000 | | CIRCLIP | 1 |
| 25 | 88S15D | | BEARING | 2 |
| 26 | 225104410 | / Jan-97 | FELT STRIP, ' Obsolete ' use 'O' ring | 2 |
| 26 | 49S41 | Jan-97 / | O' RING, 79mm I/D | 1 |
| 28 | 513150200 | | CHAINWHEEL, countershaft | 1 |
| 29 | 513150400 | | BEARING, trunnion | 1 |
| 30 | 225104410 | / Jan-97 | FELT STRIP, ' Obsolete ' use 'O' ring | 1 |
| 30 | 49S42 | Jan-97 / | O' RING, 75.5mm I/D | 1 |
| 31 | 513153100 | | BEARING | 1 |
| 32 | 300204140 | | KEY, gib head | 2 |
| 33 | 513151700 | | COUNTERSHAFT, L.H. thread (Not Honda engines) | 1 |
| 33 | 513363300 | | COUNTERSHAFT, R.H. thread (With Honda engines) | 1 |
| 34 | 88S05D | | BEARING | 2 |
| 34A | 57S04D2 | 06707 / | SCREW, grub, 100T | 1 |
| 34A | 57S04D2 | 02678 / | SCREW, grub, 150T & 175T | 1 |
| 35 | 134105056 | | CHAIN, 100T | 1 |
| 35 | 134105060 | | CHAIN, 150T & 175T | 1 |
| 35A | 134105002 | | LINK, connecting | 1 |
| 35B | 134105001 | | LINK, half | AR |
| 43 | 513150300 | | SPROCKET, bevel pinion shaft | 1 |
| 44 | 513298900 | | PLATE, adjusting | 1 |
| 45 | 513152500 | | SHAFT, bevel pinion, 100T | 1 |
| 45 | 513158700 | | SHAFT, bevel pinion, 150T & 175T | 1 |
| 46 | 513149800 | | HOUSING, pinion shaft, 100T | 1 |
| 46 | 513160700 | | HOUSING, pinion shaft, 150T & 175T | 1 |
| 47 | 513152400 | | PACKING PIECE (set of 4) | sets 2 |
| 48 | 132362000 | | CIRCLIP | 1 |
| 49 | 513278400 | | BEVEL PINION | 1 |
| 50 | 513211800 | | GUARD, bevel pinion | 1 |

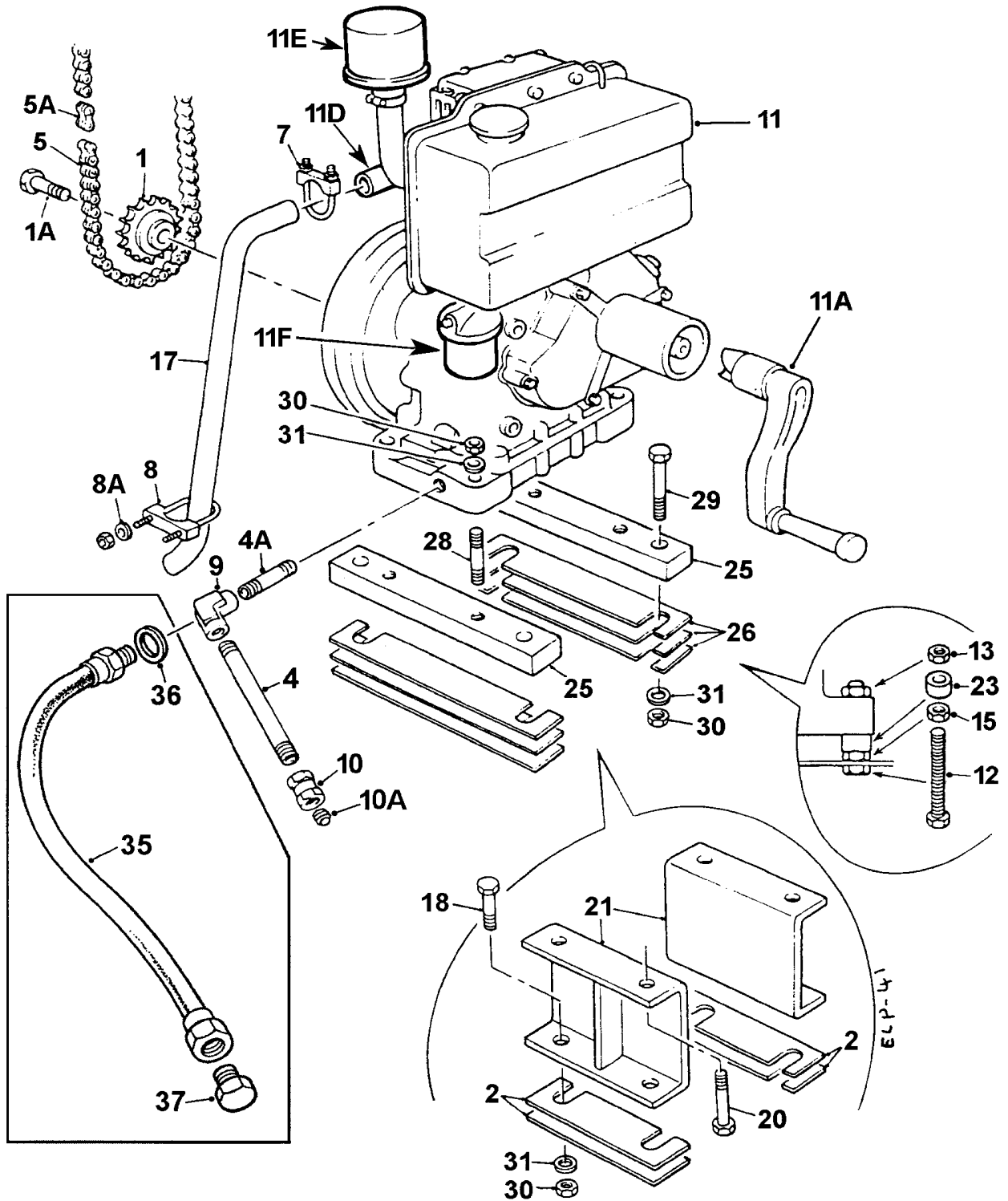
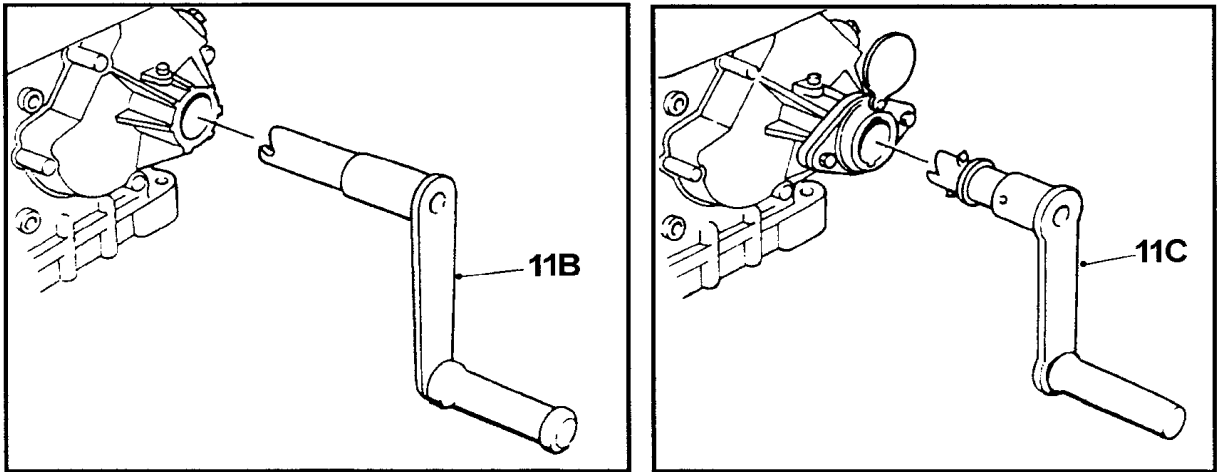
B - 1C

100T, 150T & 175T Mixers from February 1988



DRUM DRIVE**B - 1C**

| Item | Part no | Serial no | Description | Qty |
|-------------|----------------|------------------|---|------------|
| 59 | 300204140 | | KEY, gib head | 1 |
| 60 | 513211900 | | WASHER, tab | 2 |
| 67 | 513211700 | | PACKER | 1 |
| 68 | 513290700 | | PULLEY, 'V', for electric motors, Yanmar and Honda engines | 1 |
| 71 | 104S03 | | NUT | |
| 72 | 41S05 | | WASHER, spring | 4 |
| 79 | 66S03C | | SCREW | 3 |
| 80 | 66S03D | | SCREW | 2 |
| 81 | 66S03AA | | SCREW | 1 |
| 82 | 208S03F | | SCREW, c/sunk socket | 4 |
| 85 | 10S03 | | WASHER, flat | 3 |



| Item | Part no | Serial no | Description | Qty |
|------|------------|------------------|---|--------|
| 1 | 513344100 | | SPROCKET, engine, assembly | 1 |
| 1A | EL60222040 | | SCREW, retaining | 1 |
| 2 | 513127500 | | KIT, shims, 150T | pack 1 |
| — | 513127501 | | SHIM, 3mm, 150T | 6 |
| — | 513127502 | | SHIM, 1.5mm, 150T | 4 |
| — | — | Jan-95 / | SHIM, 0.7mm, 150T | 2 |
| 4 | 513278200 | (year) / 1995/96 | PIPE, 125mm long, 1/4" BSP | 1 |
| 4 | 513359800 | 1995/96 / 2003 | PIPE, 125mm long, 1/2" BSP | 1 |
| 4A | 513256500 | (year) / 1995/96 | PIPE, 60mm long, 1/4" BSP | 1 |
| 4A | 513359700 | 1995/96 / 2003 | PIPE, 60mm long, 1/2" BSP | 1 |
| 5 | 134105095 | | CHAIN, roller | 1 |
| 5A | 134105002 | | LINK, connecting | 1 |
| — | 134105001 | | LINK, half (<i>not illustrated</i>) | 1 |
| 7 | 153S01 | | CLAMP, pipe | 1 |
| 8 | 153S01 | | CLAMP, pipe | 1 |
| 8A | 267S04 | | WASHER, flat | 4 |
| 9 | 241102000 | (year) / 1995/96 | ELBOW, female, 1/4" BSP | 1 |
| 9 | 241104000 | 1995/96 / 2003 | ELBOW, female, 1/2" BSP | 1 |
| 10 | 241902000 | (year) / 1995/96 | FITTING, straight female, 1/4" BSP | 1 |
| 10 | 241904000 | 1995/96 / 2003 | FITTING, straight female, 1/2" BSP | 1 |
| 10A | 241702000 | (year) / 1995/96 | PLUG, oil drain, 1/4" BSP tapered | 1 |
| 10A | 241704000 | 1995/96 / 2003 | PLUG, oil drain, 1/2" BSP tapered | 1 |
| 11 | 354052000 | | ENGINE, Lister-Petter LT1/LV1-32 "Export" ("UK/EEC" upto 1995) | 1 |
| 11A | EL60150016 | / Jan-95 | # STARTING HANDLE | 1 |
| 11B | EL60252971 | Jan-95 / | # STARTING HANDLE, without anti kickback | 1 |
| 11 | 354054200 | Jan-95 / | ENGINE, Lister-Petter LT1/LV1-32 "UK/EEC" | 1 |
| 11C | EL375231 | Jan-95 / | # STARTING HANDLE, with anti kickback | 1 |

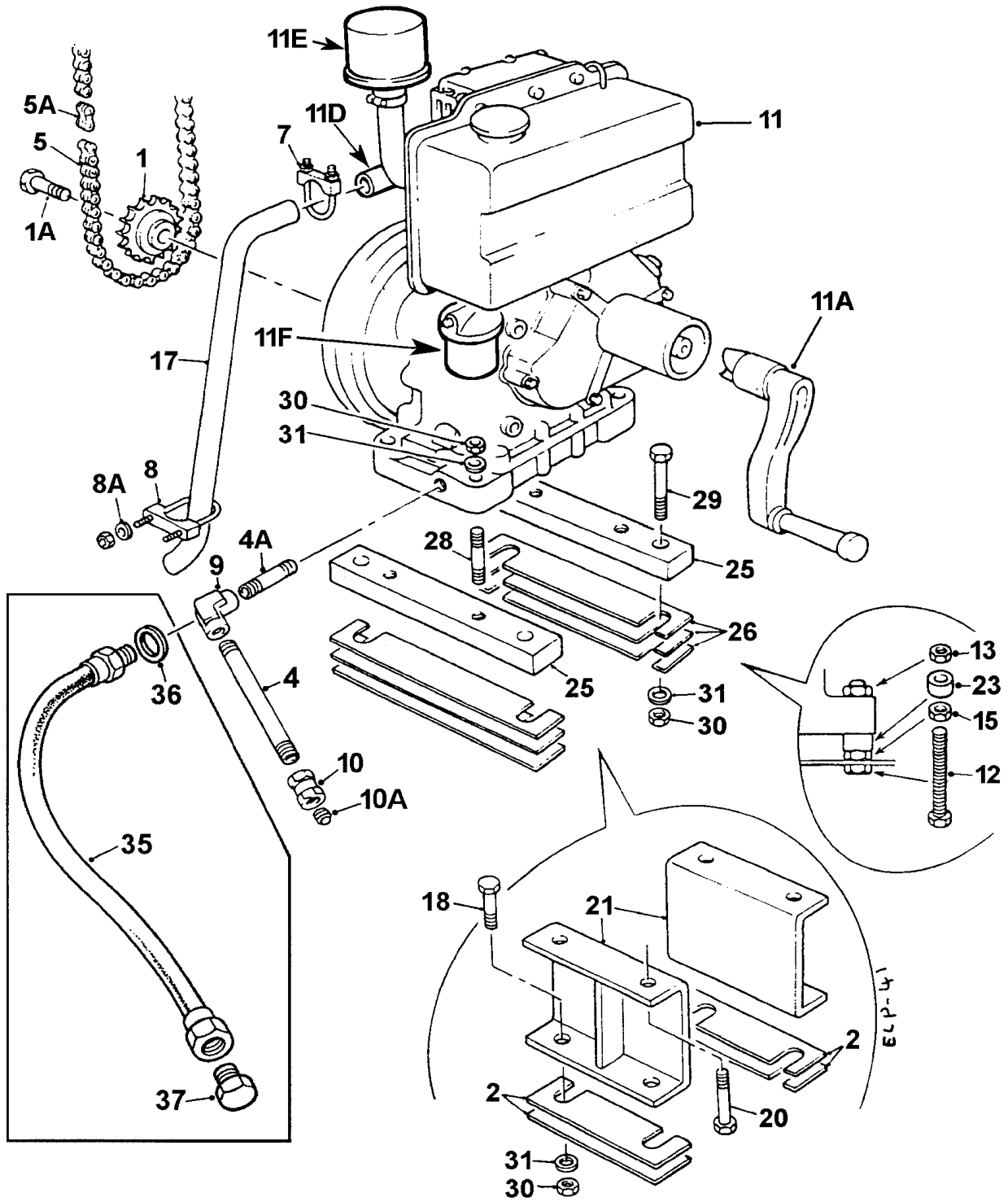
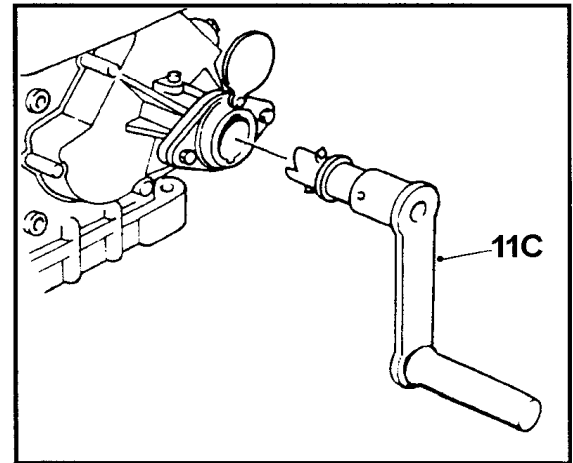
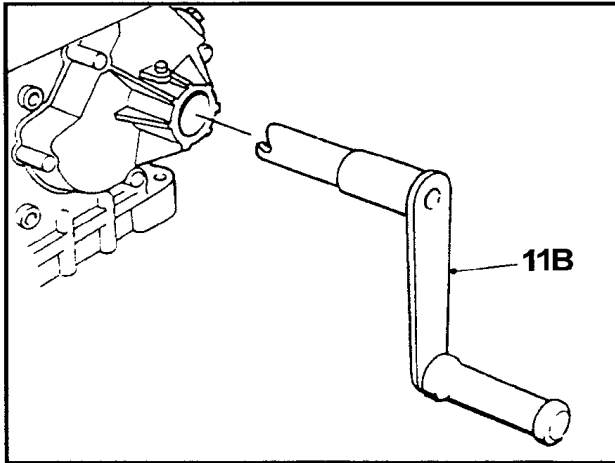
When ordering starting handles,
specify the type required

NOTE : ENGINE CHANGE Lister-Petter LT1-32 to LV1-32

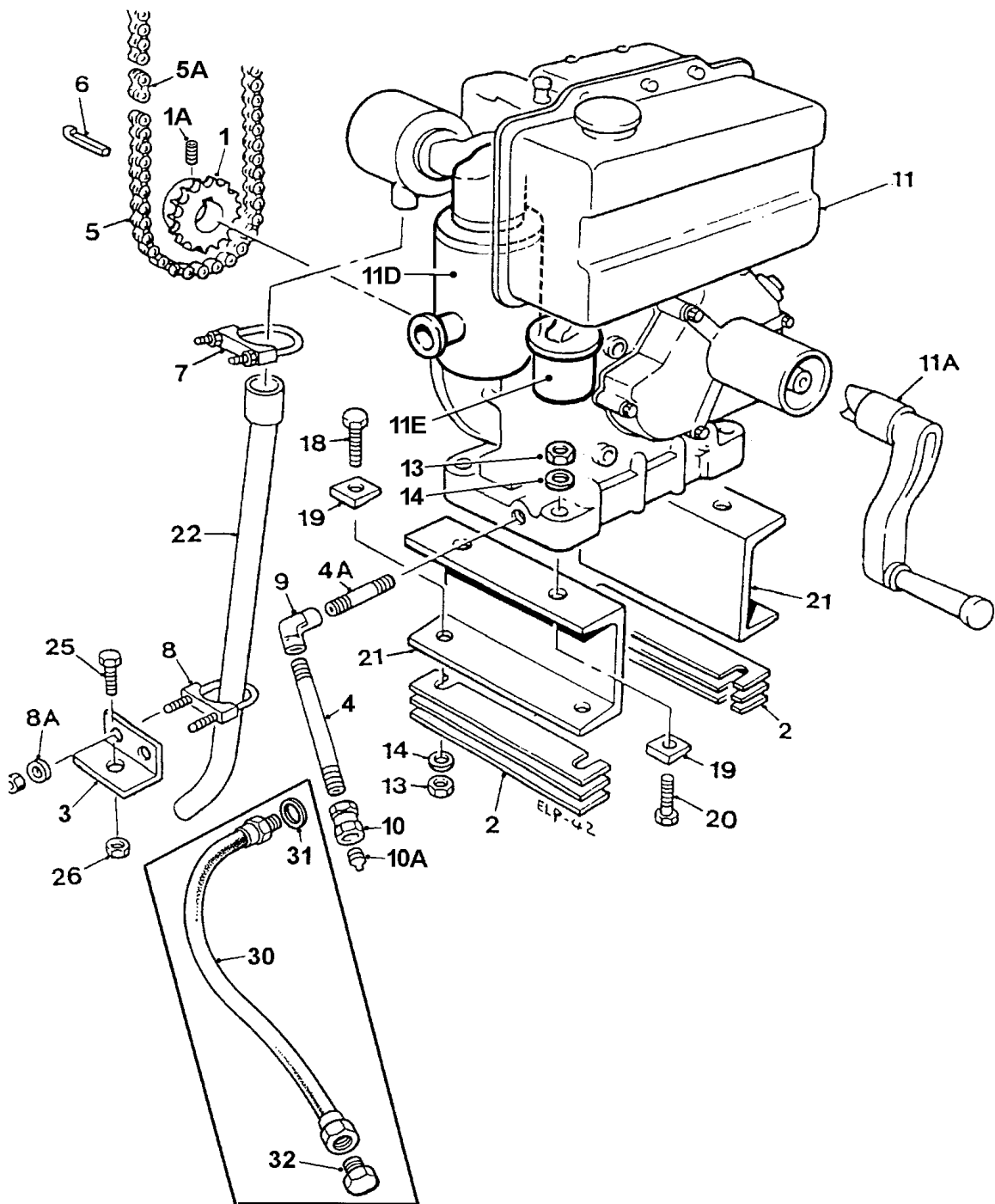
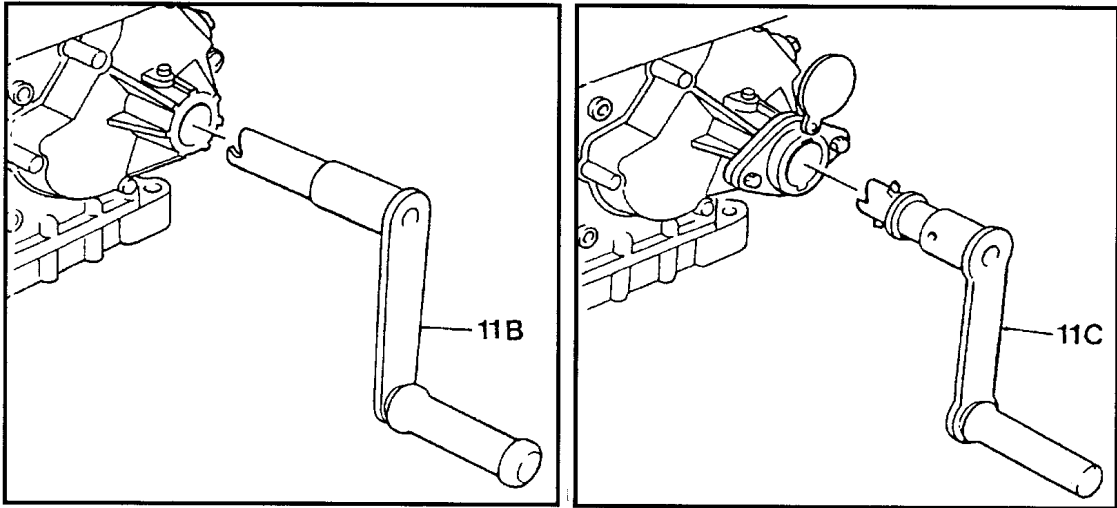
From mixer serial numbers: 100T 07978 and 150T 03813.

Early in 2005 the Lister-Petter LT1-32 was superseded by the LV1-32. The engines as complete assemblies are interchangeable as are consumable items such as filters etc. Major items such as fuel injection pump, cylinder and piston, crankshaft, and conrod are different and when ordering spares it is important to quote the engine type.

C - 1 100T & 150T Mixer *from February 1988*



| Item | Part no | Serial no | Description | Qty |
|---------------------------|------------|------------------|--|--------|
| Continued >> | | | | |
| 11D | EL60142480 | | MANIFOLD, engine exhaust (part of engine) | 1 |
| 11E | EL60142520 | | FILTER, air | 1 |
| 11F | EL20113118 | | FILTER, fuel | 1 |
| 12 | 11S05T | / 1995/96 | SCREW, set, 100T | 4 |
| 13 | 61S05 | / 1995/96 | NUT, binx "Binx", self-locking, 100T | 4 |
| 15 | 7S05 | / 1995/96 | NUT, 100T | 4 |
| 17 | 513341900 | | PIPE, exhaust, 100T | 1 |
| 17 | 513342500 | | PIPE, exhaust, 150T | 1 |
| 18 | 8S05F | | BOLT, 150T | 4 |
| 20 | 8S05H | | BOLT, 150T | 4 |
| 21 | 513343000 | | CHANNEL, engine base, 150T | 2 |
| 23 | 513340500 | (year) / 1995/96 | SPACER, 100T | |
| 25 | 513266700 | 1995/96 / | BASE BLOCK, engine, 100T | 4 |
| 26 | 513248400 | 1995/96 / | KIT,shims, 100T | pack 1 |
| — | 513248401 | 1995/96 / | SHIM, 10G. 100T | 6 |
| — | 513248402 | 1995/96 / | SHIM, 16G. 100T | 4 |
| — | 513248403 | 1995/96 / | SHIM, 14G. 100T | 2 |
| — | 513248404 | 1995/96 / | SHIM, 18G. 100T | 2 |
| — | — | Dec-96 / | SHIM, 22G. 100T | 2 |
| 28 | V601339 | 1995/96 / | STUD, 100T | 4 |
| 29 | 8S05H | 1995/96 / | BOLT, 100T | 4 |
| 30 | 61S05 | | NUT, "Binx", self-locking | 8 |
| 31 | 267S07 | | WASHER, flat | 8 |
| 35 | 513362800 | 2003 / (year) | HOSE, sump oil drain | 1 |
| 36 | 100S04 | 2003 / | SEAL, bonded | 1 |
| 37 | 127S04 | 2003 / | PLUG, blanking | 1 |



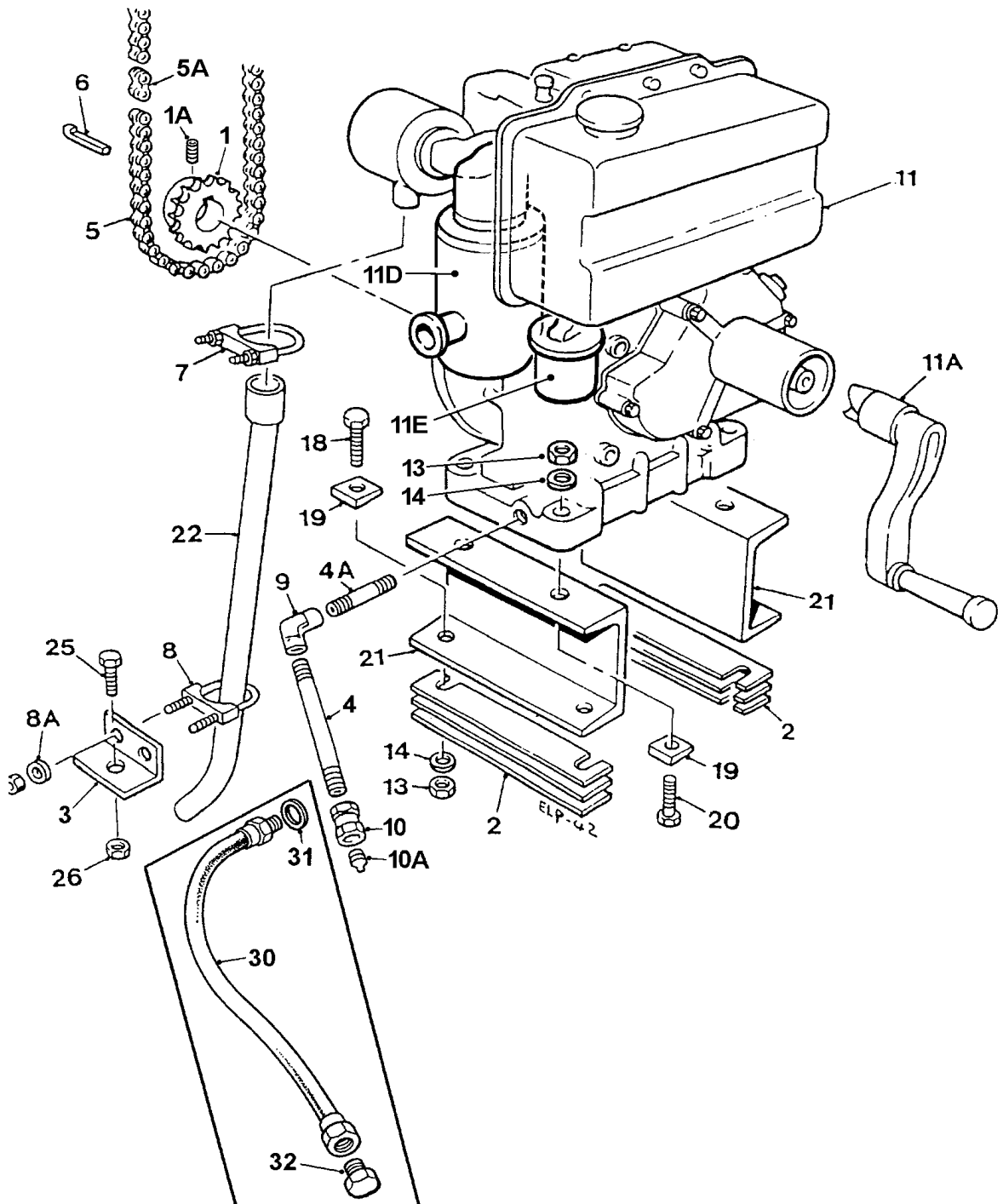
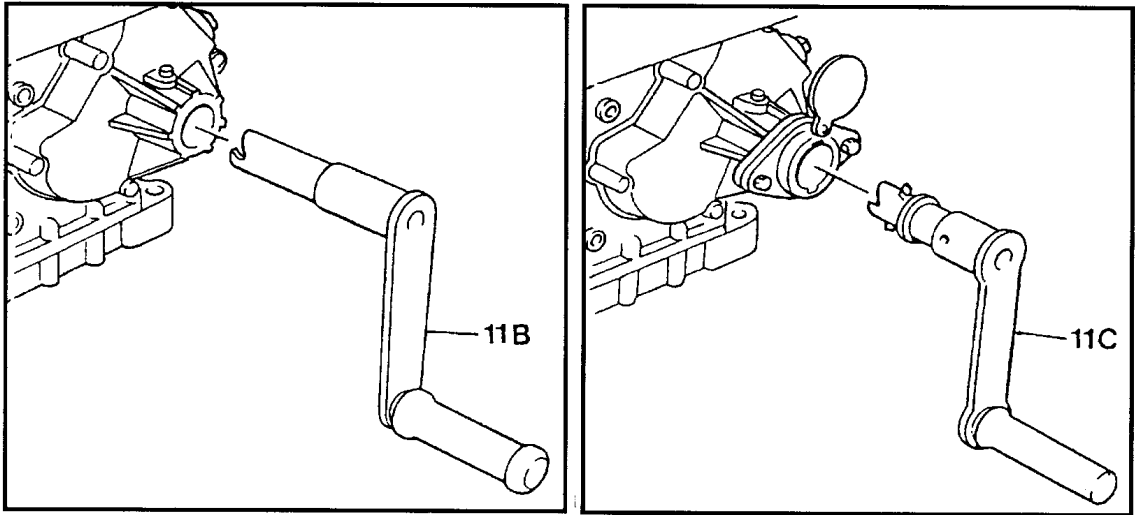
| Item | Part no | Serial no | Description | Qty |
|------|------------|------------------|--|--------|
| 1 | 513248300 | | SPROCKET, engine | 1 |
| 1A | 57S05D2 | 02679 / | SCREW, grub | 1 |
| 2 | 513248400 | | SHIMS | pack 1 |
| 3 | 513266800 | | BRACKET, exhaust | 1 |
| 4 | 513278200 | (year) / 1995/96 | PIPE, 125mm long, 1/4" BSP | 1 |
| 4 | 513359800 | 1995/96 / 2003 | PIPE, 125mm long, 1/2" BSP | 1 |
| 4A | 513256500 | (year) / 1995/96 | PIPE, 60mm long, 1/4" BSP | 1 |
| 4A | 513359700 | 1995/96 / 2003 | PIPE, 60mm long, 1/2" BSP | 1 |
| 5 | 134105095 | | CHAIN, roller | 1 |
| 5A | 134105002 | | LINK | 1 |
| — | 134105001 | | LINK, half (<i>not illustrated</i>) | 1 |
| 6 | 300204160 | | KEY, gib head | 1 |
| 7 | 354051005 | | CLAMP, exhaust | 1 |
| 8 | 153S01 | | CLAMP, exhaust | 1 |
| 8A | 267S04 | | WASHER, flat | 2 |
| 9 | 241102000 | (year) / 1995/96 | ELBOW, female, 1/4" BSP | 1 |
| 9 | 241104000 | 1995/96 / 2003 | ELBOW, female, 1/2" BSP | 1 |
| 10 | 241902000 | (year) / 1995/96 | FITTING, straight female, 1/4" BSP | 1 |
| 10 | 241904000 | 1995/96 / | FITTING, straight female, 1/2" BSP | 1 |
| 10A | 241702000 | (year) / 1995/96 | PLUG, oil drain, 1/4" BSP tapered | 1 |
| 10A | 241704000 | 1995/96 / 2003 | PLUG, oil drain, 1/2" BSP tapered | 1 |
| 11 | 354051000 | | ENGINE, Lister-Petter LT1/LV1-10 "Export" ("UK/EEC" up to 1995) | 1 |
| 11A | EL60150016 | / Jan-95 | # STARTING HANDLE | 1 |
| 11B | EL60252971 | Jan-95 / | # STARTING HANDLE, without anti kickback | 1 |
| 11 | 354054100 | Jan-95 / | ENGINE, Lister-Petter LT1/LV1-10 "UK/EEC" | |
| 11C | EL375231 | Jan-95 / | # STARTING HANDLE, with anti kickback # When ordering starting handles specify the type required. | 1 |
| 11D | EL60131350 | | FILTER, air | 1 |
| 11E | EL20113118 | | FILTER, fuel | 1 |

NOTE : ENGINE CHANGE Lister-Petter LT1-10 to LV1-10

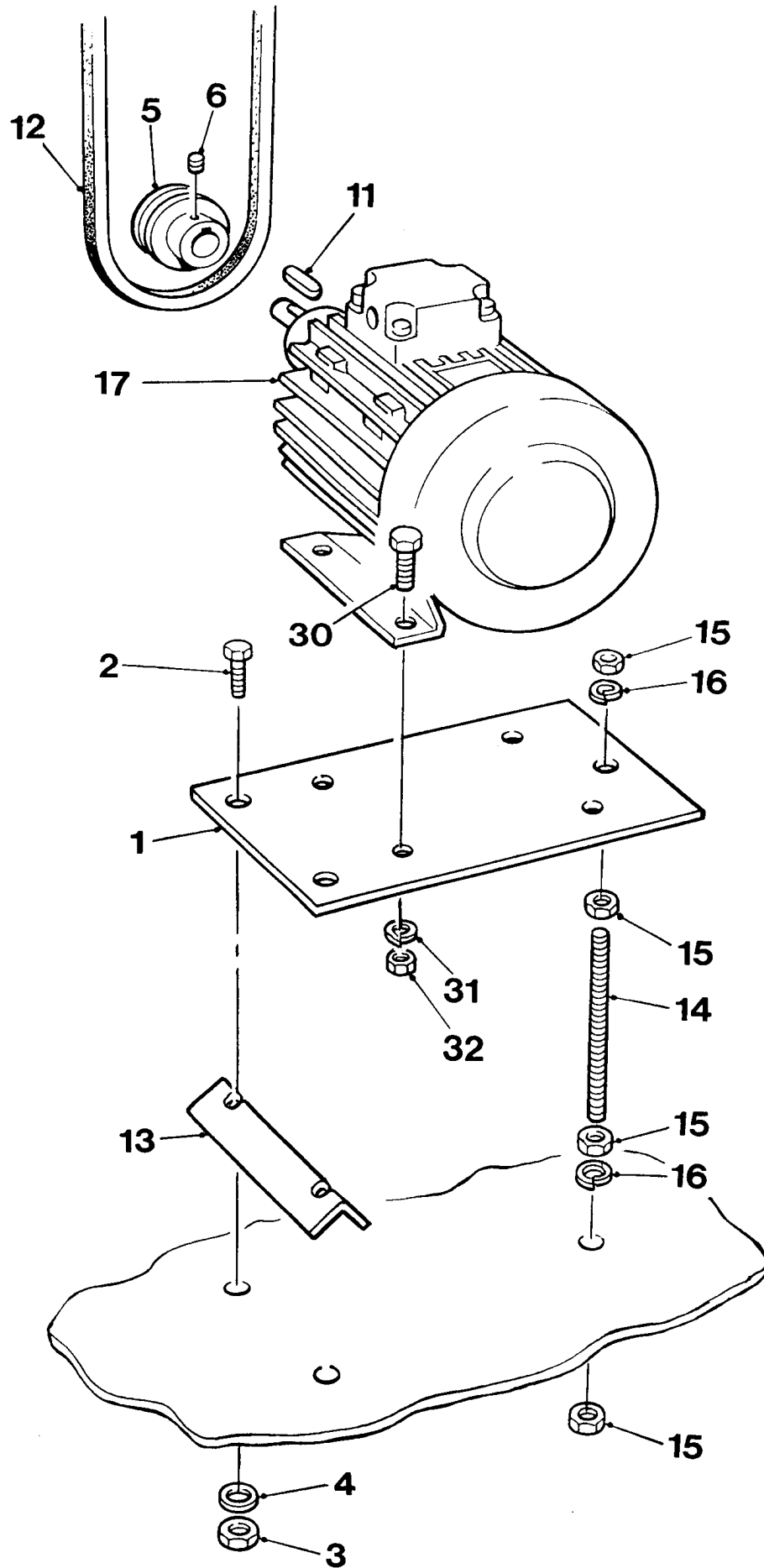
Late in 2003 the Lister-Petter LT1-10 was superseded by the LV1-10. The engines as complete assemblies are interchangeable as are consumable items such as filters etc. Major items such as fuel injection pump, cylinder and piston, crankshaft, and conrod are different and when ordering spares it is important to quote the engine type.

C - 1A

175T Mixer from February 1988

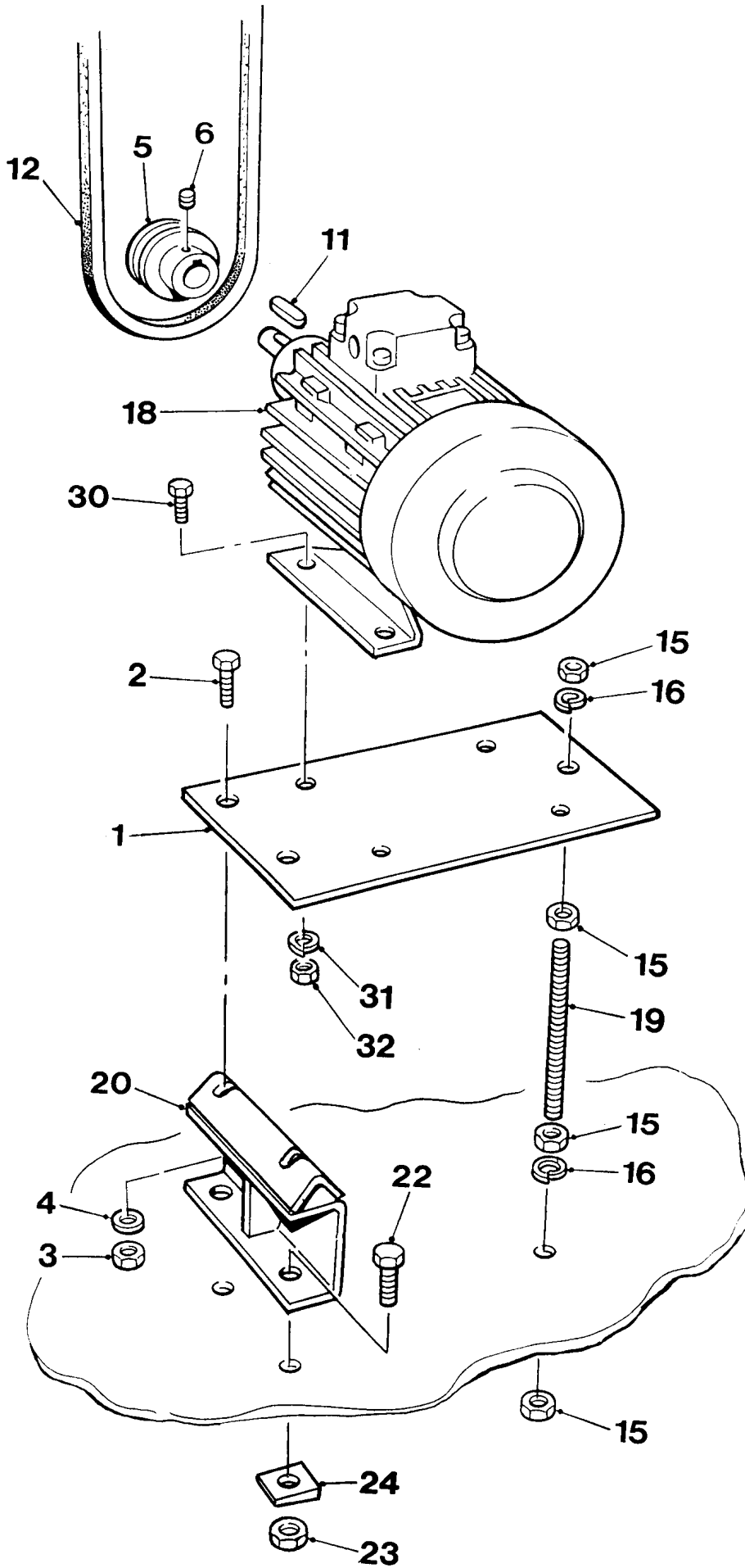


| Item | Part no | Serial no | Description | Qty |
|-------------|----------------|------------------|---------------------------|------------|
| 13 | 61S05 | | NUT, "Binx", self-locking | 8 |
| 14 | 267S07 | | WASHER, flat | 8 |
| 18 | 8S05E | | BOLT | 4 |
| 19 | 105S05 | | WASHER, taper | 8 |
| 20 | 8S05J | | BOLT | 4 |
| 21 | 513267400 | | CHANNEL, engine base, | 2 |
| 22 | 513267500 | | PIPE, exhaust | 1 |
| 25 | 66S05A | | SCREW, set | 1 |
| 26 | 192S05 | | NUT, "Binx", self-locking | 1 |
| 30 | 513362800 | 2003 / (year) | HOSE, sump oil drain | 1 |
| 31 | 100S04 | 2003 / | SEAL, bonded | 1 |
| 32 | 127S04 | 2003 / | PLUG, blanking | 1 |



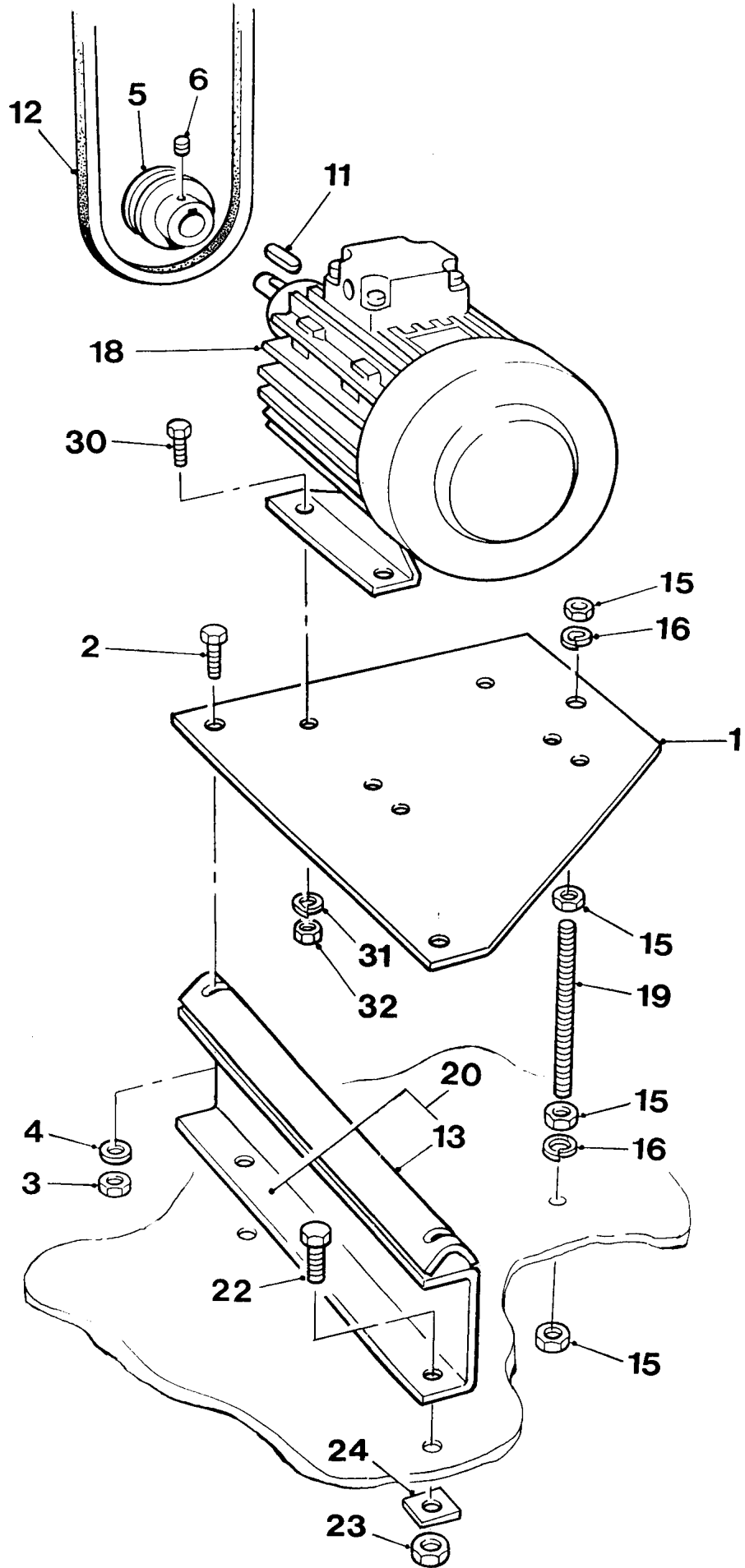
ELECTRIC (240/110 volt) drive assembly**C - 2A**

| Item | Part no | Serial no | Description | Qty |
|-------------|----------------|------------------|--------------------------------------|------------|
| 1 | 513342100 | | PLATE, motor mounting | 1 |
| 2 | 8S05H | | BOLT | 2 |
| 3 | 61S05 | | NUT, "Binx" | 2 |
| 4 | 267S07 | | WASHER, flat | 2 |
| 5 | 513290600 | | PULLEY, 'V' | 1 |
| 6 | 57S04D2 | | SCREW, grub | 1 |
| 11 | 304710840 | | KEY, parallel | 1 |
| 12 | 397400300 | | BELT, 'V' | 1 |
| 13 | 513342000 | | ANGLE, motor adjusting | 1 |
| 14 | 513333100 | | STUD | 1 |
| 15 | 7S05 | | NUT | 4 |
| 16 | 17S06 | | WASHER, spring | 2 |
| 17 | 202493500 | | MOTOR, electric, 240v, .75kW (1hp) | 1 |
| 17 | 202493600 | | MOTOR, electric, 110v, 1.1kW (1.5hp) | 1 |
| 30 | 66S03A | | SCREW, set | 4 |
| 31 | 41S05 | | WASHER, spring | 4 |
| 32 | 104S03 | | NUT | 4 |



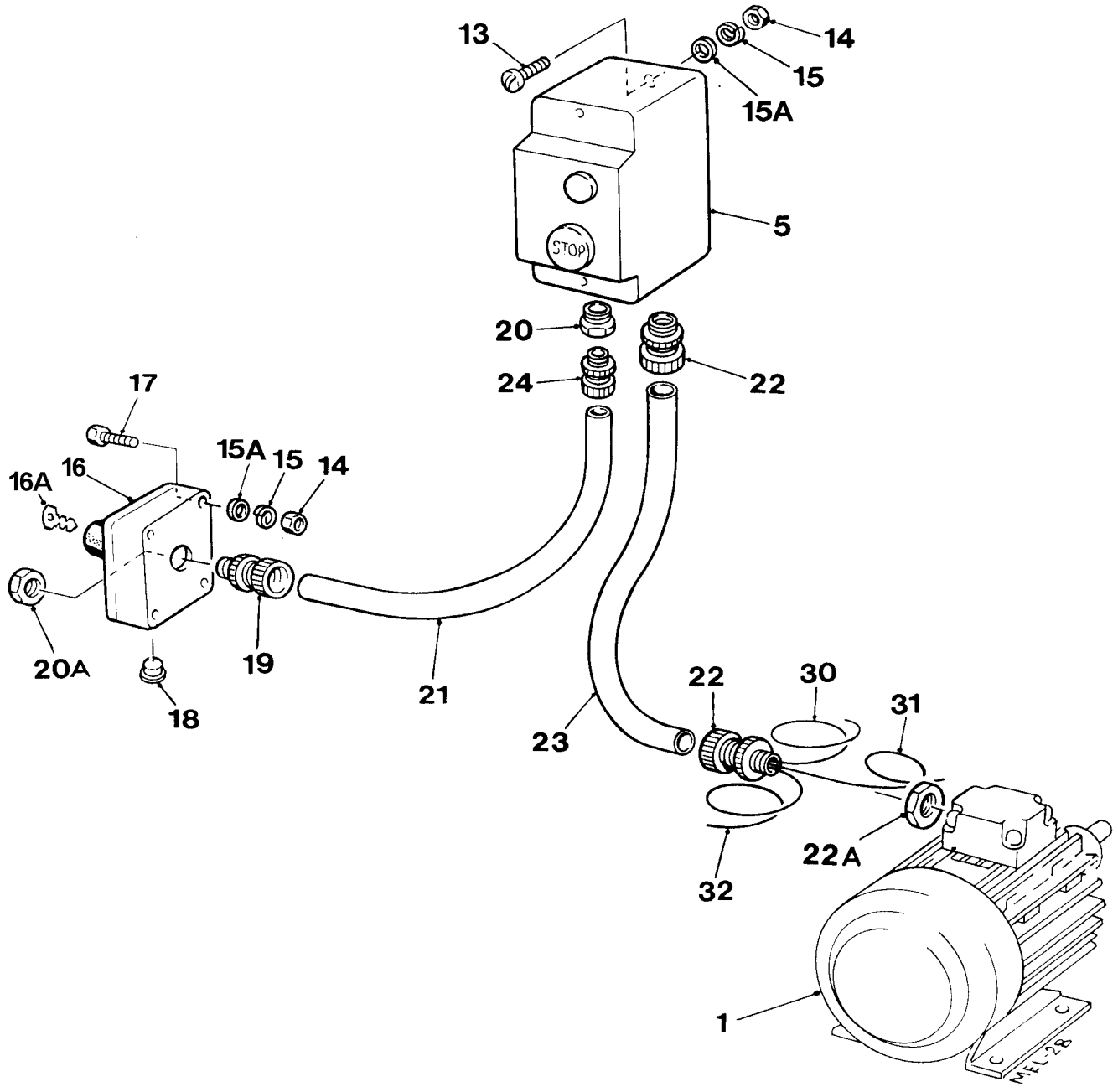
ELECTRIC (240/110 volt) drive assembly**C - 2B**

| Item | Part no | Serial no | Description | Qty |
|-------------|----------------|------------------|--------------------------------------|------------|
| 1 | 513342100 | / Feb-90 | PLATE, motor mounting | 1 |
| 1 | 513350000 | Feb-90 / | PLATE, motor mounting | 1 |
| 2 | 8S05H | | BOLT | 2 |
| 3 | 61S05 | | NUT, self-locking "Binx" | 2 |
| 4 | 267S07 | | WASHER, flat | 2 |
| 5 | 513290600 | | PULLEY, 'V' | 1 |
| 6 | 57S04D2 | | SCREW, grub | 1 |
| 11 | 304710840 | | KEY, parallel | 1 |
| 12 | 397400300 | | BELT, 'V' | 1 |
| 13 | — | | | |
| 15 | 7S05 | | NUT | 4 |
| 16 | 17S06 | | WASHER, spring | 2 |
| 18 | 202493700 | | MOTOR, electric, 240v, 1.1kW (1.5hp) | 1 |
| 18 | 202493800 | | MOTOR, electric, 110v, 1.1kW (1.5hp) | 1 |
| 19 | 513333100 | | STUD | 1 |
| 20 | 513343400 | | CHANNEL, motor mounting, | 1 |
| 22 | 8S05D | | BOLT | 2 |
| 23 | 61S05 | | NUT, self-locking, "Binx" | 2 |
| 24 | 105S05 | | WASHER, taper | 2 |
| 30 | 66S03A | | SCREW, set | 4 |
| 31 | 41S05 | | WASHER, spring | 4 |
| 32 | 104S03 | | NUT | 4 |



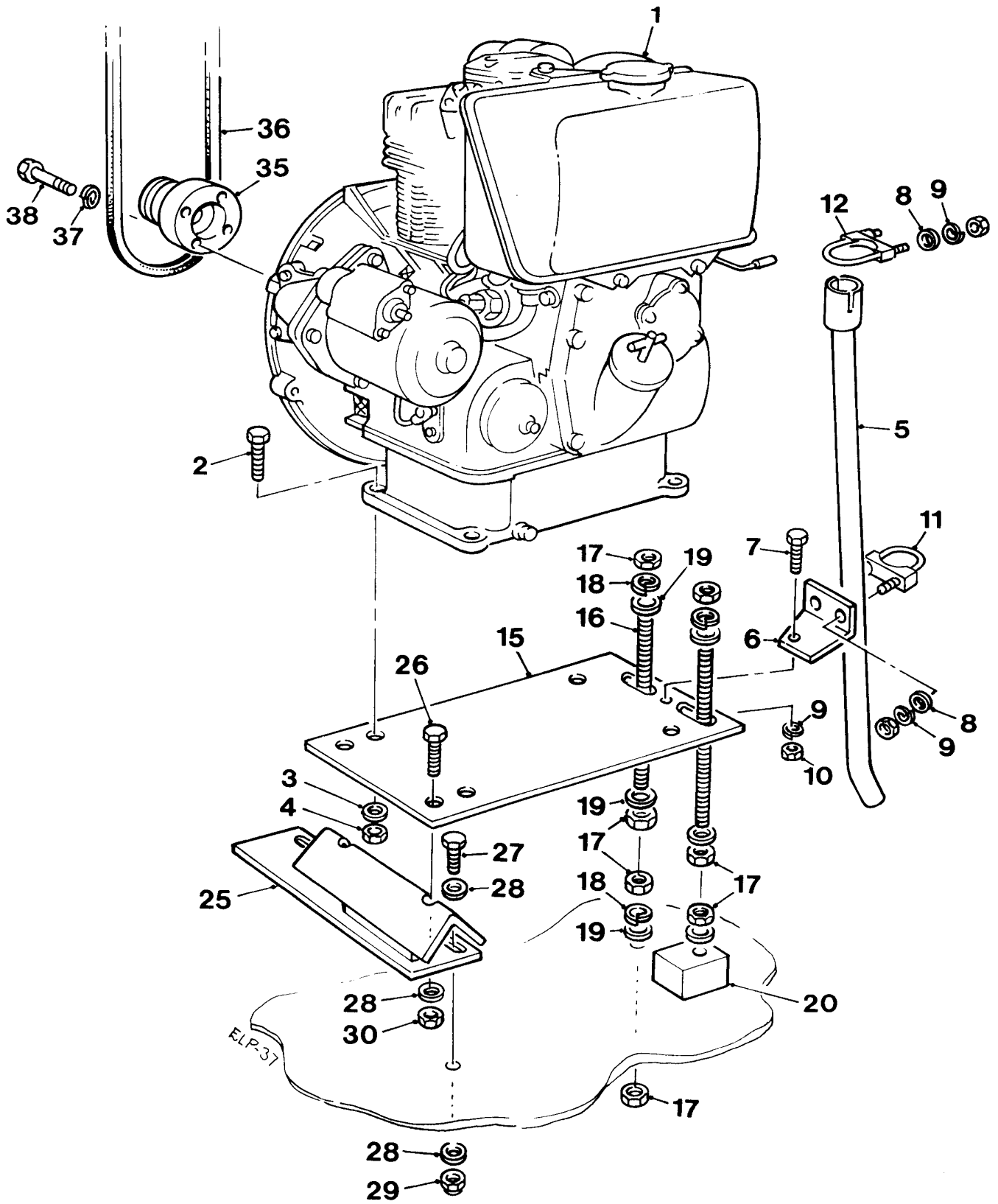
ELECTRIC (240/110 volt) drive assembly**C - 2C**

| Item | Part no | Serial no | Description | Qty |
|-------------|----------------|------------------|--|------------|
| 1 | 513290400 | | PLATE, motor mounting | 1 |
| 2 | 8S05H | | BOLT | 2 |
| 3 | 61S05 | | NUT, self-locking "Binx" | 2 |
| 4 | 267S07 | | WASHER, flat | 2 |
| 5 | 513290600 | | PULLEY, 'V' | 1 |
| 6 | 57S04D2 | | SCREW, socket head | 1 |
| 11 | 304710840 | | KEY, parallel | 1 |
| 12 | 397400300 | | BELT, 'V' | 1 |
| 13 | 513290300 | | ANGLE, (<i>Welded part of item 20</i>) | 1 |
| 15 | 7S05 | | NUT | 4 |
| 16 | 17S06 | | WASHER, spring | 2 |
| 18 | 202493700 | | MOTOR, electric, 240v, 1.1kw (1.5hp) | 1 |
| 18 | 202493800 | | MOTOR, electric, 110v, 1.1kw (1.5hp) | 1 |
| 19 | 513333100 | | STUD | 1 |
| 20 | 513290500 | | CHANNEL, motor mount, (<i>Includes item 13</i>) | 1 |
| 22 | 8S05D | | BOLT | 2 |
| 23 | 61S05 | | NUT, self-locking, "Binx" | 4 |
| 24 | 105S05 | | WASHER, taper | 2 |
| 30 | 66S03A | | SCREW, set | 4 |
| 31 | 41S05 | | WASHER, spring | 4 |
| 32 | 104S03 | | NUT | 4 |



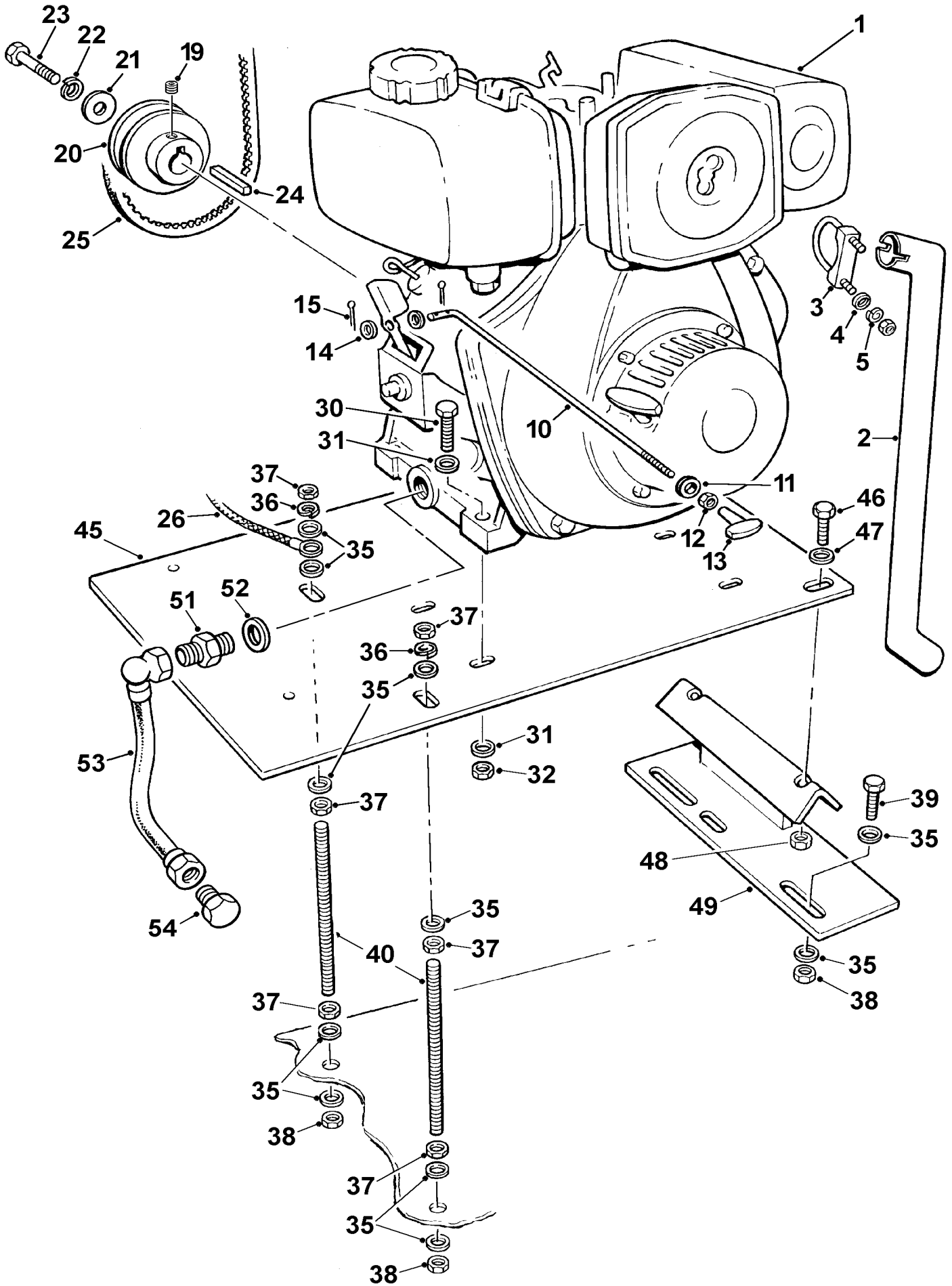
START SWITCHES, electric drive

| Item | Part no | Date | Description | Qty |
|------------------|------------|----------|--|---------|
| 1 | | | ELECTRIC MOTOR (see Index page) | 1 |
| 5 | 208398600 | | STARTER, Danfoss 240v, 100T, 150T & 175T | 1 |
| | 208398500 | | CASE, starter | 1 |
| | 192928000 | | CONTACTOR | 1 |
| | 207818001 | | RELAY, overload | 1 |
| 5 | 208398800 | | STARTER, Danfoss 110v, 100T | 1 |
| | 208398500 | | CASE, starter | 1 |
| | 192928000 | | CONTACTOR | 1 |
| | 207818003 | | RELAY, overload | 1 |
| 5 | 208398900 | | STARTER, Danfoss 110v, 150T & 175T | 1 |
| | 208398500 | | CASE, starter | 1 |
| | 192928000 | | CONTACTOR | 1 |
| | 207818004 | | RELAY, overload | 1 |
| 13 | 16S06C | | SCREW, cheese head | 2 |
| 14 | 7S01 | | NUT | 4 |
| 15 | 17S02 | | WASHER, spring | 4 |
| 15A | 267S03 | | WASHER, flat | 4 |
| 16 | 208870000 | / Oct-04 | # SWITCH, stop, assembly # OBSOLETE: use 208880000 | 1 |
| 16A | V602651 | / Oct-04 | KEY, stop switch | 1 |
| 16 | 208880000 | Oct-04 / | SWITCH, stop, assembly | 1 |
| | 208880000A | Oct-04 / | MUSHROOM key reset, c/w keys | 1 |
| | 208880000B | Oct-04 / | CONTACTOR | 1 |
| | 208880000C | Oct-04 / | ENCLOSURE | 1 |
| 16A | V603623 | Oct-04 / | KEY, stop switch | 2 |
| 17 | 11S01C | / Oct-04 | SCREW, set | 2 |
| 17 | 11S01D | Oct-04 / | SCREW, set | |
| 18 | 133470000 | | PLUG, stop switch casing | 1 |
| 19 | 131270000 | | COUPLING, 16mm | 1 |
| 20 | 131570016 | | SOCKET, reducing | 1 |
| 20A | 133266050 | | NUT, backing | 1 |
| 21 | 131766010 | | CONDUIT, 16mm | 1 |
| 22 | 131271000 | | COUPLING, 20mm | 2 |
| 22A | 133272000 | | NUT, backing | 1 |
| 23 | 131770010 | | CONDUIT, 20mm | 1 |
| 24 | 131270000 | | COUPLING, 16mm | 1 |
| 110 volts | | | | |
| 30 | 30788101 | | WIRE, black | 1 meter |
| 31 | 30788102 | | WIRE, red | 1 meter |
| 32 | 30788103 | | WIRE, green/yellow | 1 meter |
| 240 volts | | | | |
| 30 | 144750000 | | WIRE, black | 1 meter |
| 31 | 144700100 | | WIRE, red | 1 meter |
| 32 | 144700200 | | WIRE, green/yellow | 1 meter |



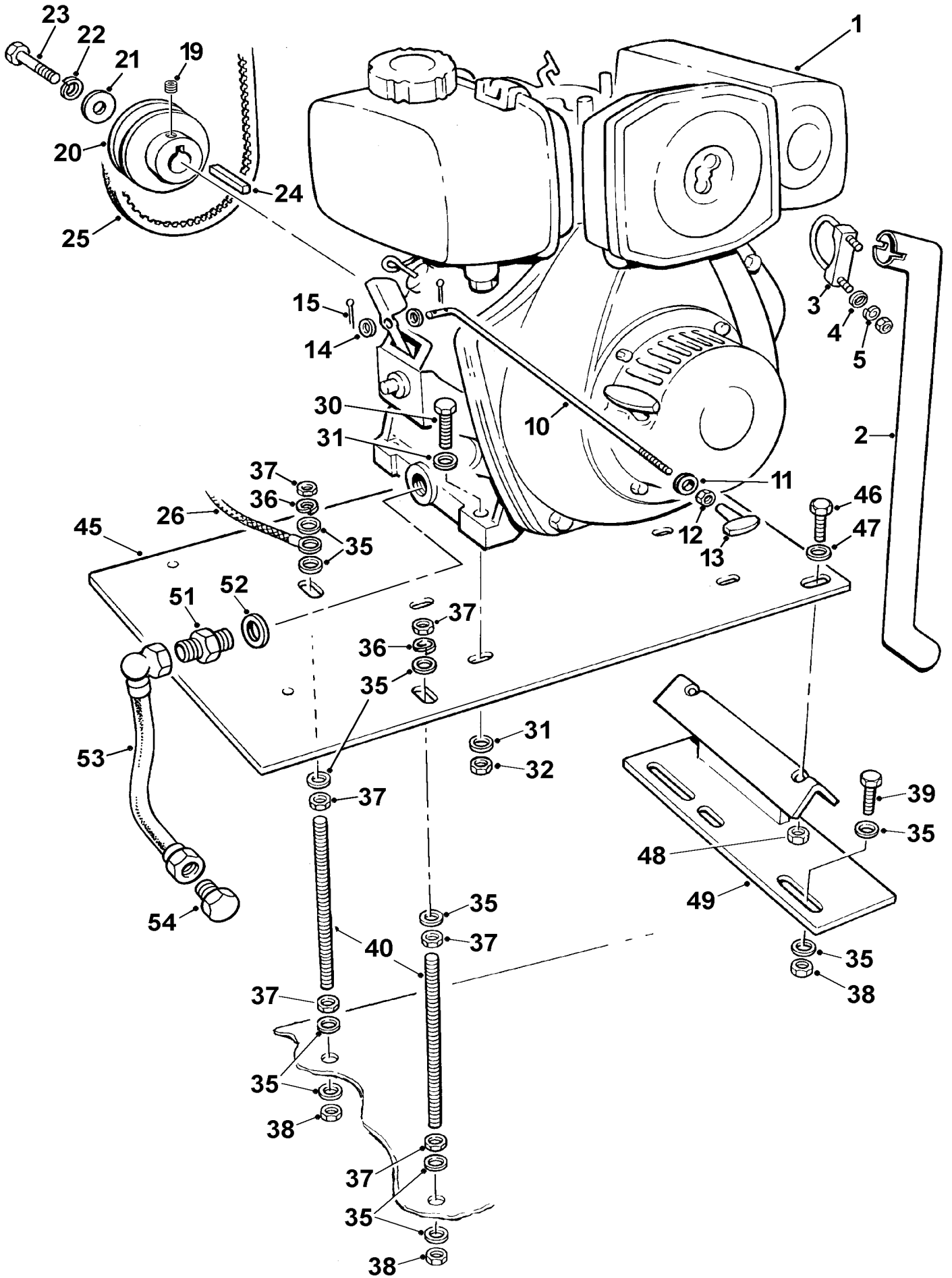
LISTER-PETTER AC1 (electric start)**C - 4**

| Item | Part no | Serial no | Description | Qty |
|-------------|----------------|------------------|----------------------------|------------|
| 1 | V2004253 | | ENGINE, Lister/Petter AC1 | 1 |
| 2 | 11S04F | | SCREW, set | 4 |
| 3 | 267S06 | | WASHER, flat | 4 |
| 4 | 61S04 | | NUT, self- locking "Binx" | 4 |
| 5 | 513267500 | | PIPE, exhaust | 1 |
| 6 | 513359300 | | BRACKET, exhaust | 1 |
| 7 | 11S03C | | SCREW, set | 1 |
| 8 | 267S05 | | WASHER, flat | 4 |
| 9 | 17S04 | | WASHER, spring | 5 |
| 10 | 7S03 | | NUT | 1 |
| 11 | 153S01 | | CLAMP | 1 |
| 12 | 153S03 | | CLAMP | 1 |
| 15 | 513358700 | | PLATE, engine mounting | 1 |
| 16 | 513333100 | | STUD | 2 |
| 17 | 7S05 | | NUT | 7 |
| 18 | 17S06 | | WASHER, spring | 3 |
| 19 | 267S07 | | WASHER, flat | 6 |
| 20 | 513359000 | | PLATE (welded to chassis) | 1 |
| 25 | 513358800 | | SUPPORT | 1 |
| 26 | 11S04F | | SCREW, set | 2 |
| 27 | 11S04D | | SCREW, set | 2 |
| 28 | 267S06 | | WASHER, flat | 6 |
| 29 | 59S03 | | NUT, self- locking "Nyloc" | 2 |
| 30 | 61S04 | | NUT, self- locking "Binx" | 2 |
| 35 | 513358300 | | PULLEY, special | 1 |
| 36 | 397400100 | | BELT | 1 |
| 37 | 41S04 | | WASHER, spring | 4 |
| 38 | 6S02E | | BOLT | 4 |



Engine & mounts

| Item | Part no | Serial no | Description | Qty |
|---|-----------|-----------|---|-----|
| NOTE: For Battery, start switch & loom, see page C-6 | | | | |
| | | 06737 / | 100T | |
| | | 02719 / | 150T & 175T | |
| 1 | V2005210 | | ENGINE, Yanmar L40A/L48A/L48N | 1 |
| From Serial nos 09571-100T & 05135-150T/175T L48A replaced by L48N, Engines are interchangeable, check model before ordering filters etc | | | | |
| 2 | 513361600 | | PIPE, exhaust | 1 |
| 3 | 153S02 | | CLAMP, exhaust | 1 |
| 4 | 267S05 | | WASHER, flat | 2 |
| 5 | 17S04 | | WASHER, spring | 2 |
| 10 | 513362100 | / 07364 | ROD, engine stop, 100T | 1 |
| 10 | 513362100 | / 03347 | ROD, engine stop, 150T | 1 |
| 10 | 513362300 | / 03305 | ROD, engine stop, 175T | 1 |
| <i># Deleted with the above RODS (Item 10)</i> | | | | |
| 11 | 254820000 | / # | GROMMET, open (<i>Fitted in eng. cover</i>) | 1 |
| 12 | 7S02 | / # | NUT | 1 |
| 13 | V2005213 | / # | HANDLE, 'T', engine stop | 1 |
| 14 | 267S04 | / # | WASHER, flat | 2 |
| 15 | 44S02B | / # | PIN, split | 2 |
| 19 | 57S04D2 | | SCREW, grub | 1 |
| 20 | V2005220 | | PULLEY | 1 |
| 21 | V2004220 | | WASHER, 'Special' | 1 |
| 22 | 17S04 | | WASHER, spring | 1 |
| 23 | 8S03D | | BOLT | 1 |
| 24 | 305110550 | | KEY, parallel | 1 |
| 25 | 397400200 | | BELT, 'V', 100T | 1 |
| 25 | 397400600 | | BELT, 'V', 150T & 175T | 1 |
| 26 | | | CABLE, negative (<i>See page C-6</i>) | 1 |
| 30 | 8S03D | | BOLT | 4 |
| 31 | 267S05 | | WASHER, flat | 8 |
| 32 | 61S03 | | NUT, self- locking "Binx" | 4 |
| 35 | 267S07 | | WASHER, flat | 13 |
| 36 | 17S06 | | WASHER, spring | 2 |
| 37 | 7S05 | | NUT | 6 |
| 38 | 61S05 | | NUT, self- locking "Binx" | 4 |
| 39 | 11S05D | | SCREW, set | 2 |
| 40 | 513333100 | | STUD | 2 |

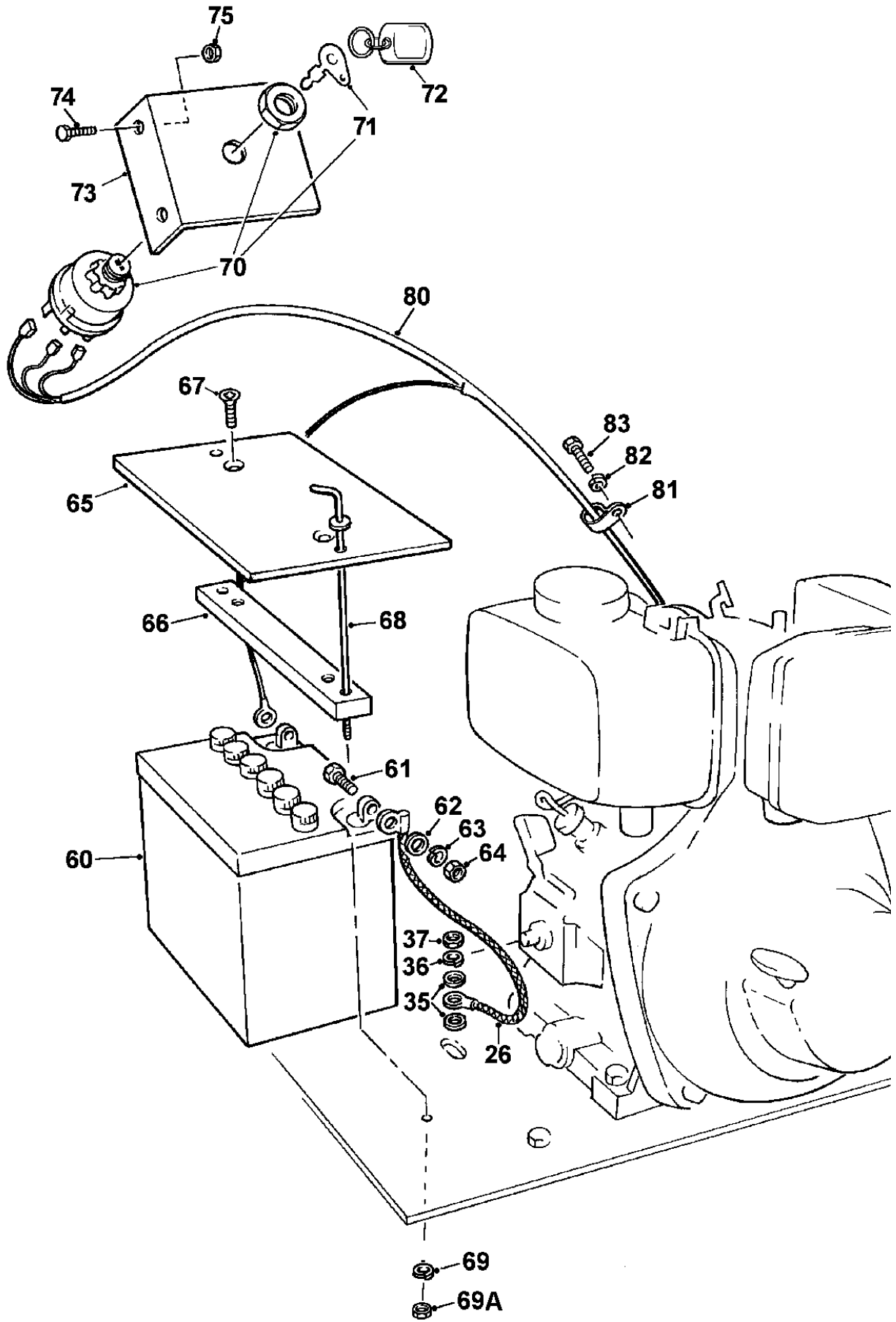


Engine & mounts

| Item | Part no | Serial no | Description | Qty |
|------|-----------|-----------|----------------------------------|-----|
| 45 | 513361800 | | PLATE, engine mounting | 1 |
| 46 | 8S04D | | BOLT | 2 |
| 47 | V2004220 | | WASHER, flat | 2 |
| 48 | 61S04 | | NUT, self- locking "Binx" | 2 |
| 49 | 513358800 | | SUPPORT, bracket | 1 |
| 51 | 325S04 | \$ / | ADAPTOR, male/male | 1 |
| 52 | 298S05 | \$ / | SEAL, bonded | 1 |
| 53 | 31S02LL | \$ / | HOSE, hydraulic | 1 |
| 54 | 127S03 | \$ / | PLUG, blanking, engine oil drain | 1 |

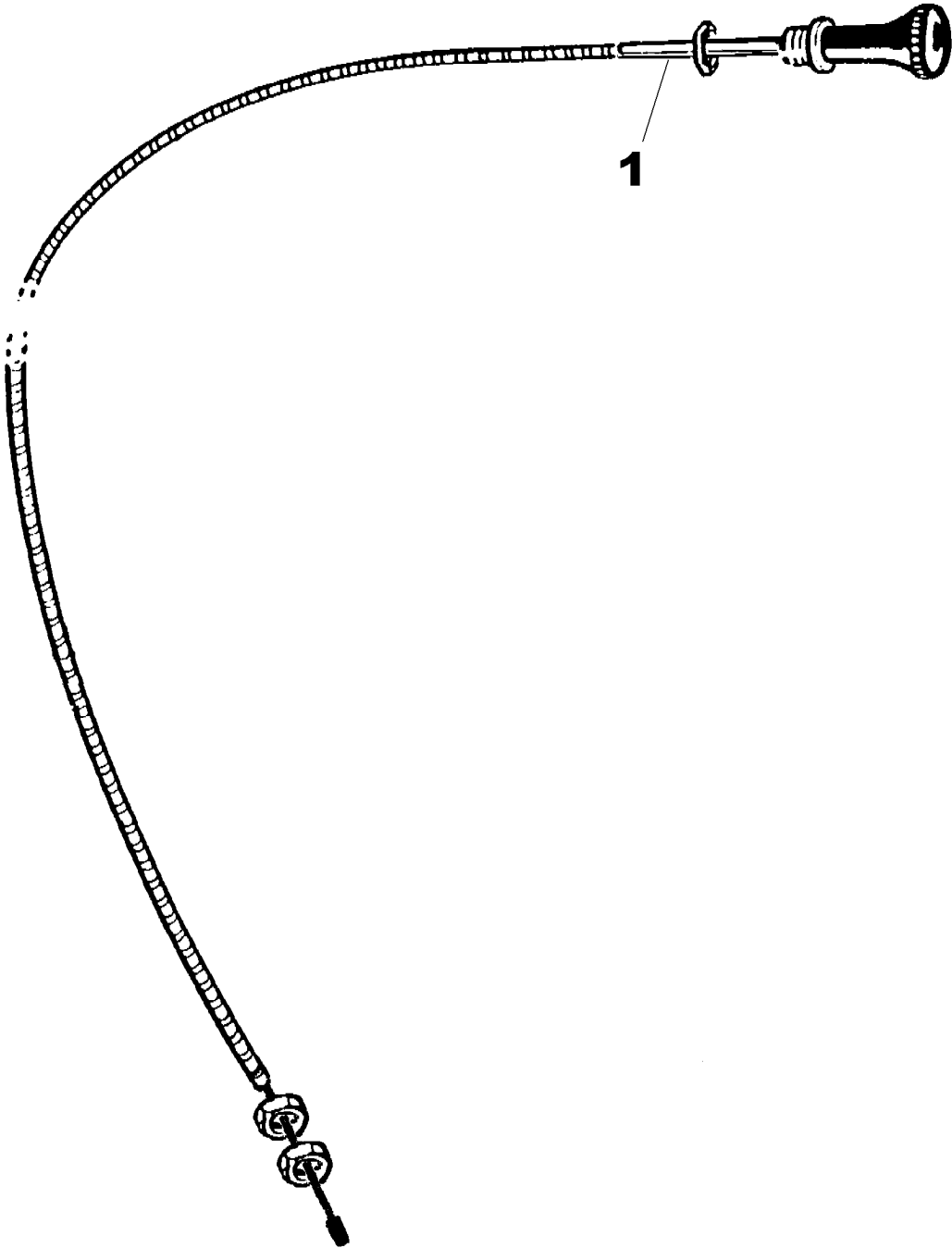
\$ *From mixer serial numbers*

07373 / **100T**
03347 / **150T**
03387 / **175T**



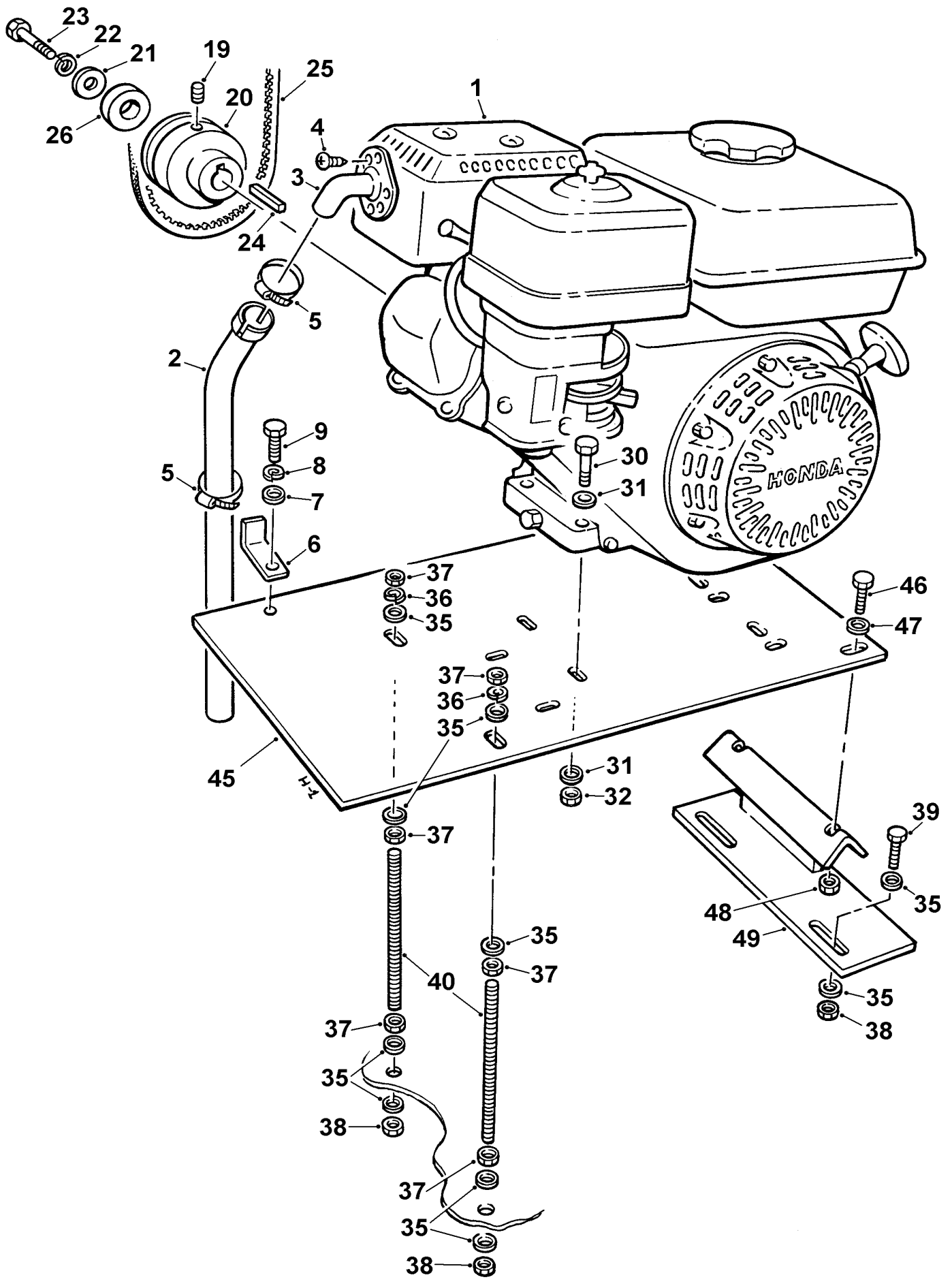
Battery, start switch & loom

| Item | Part no | Serial no | Description | Qty |
|------|-----------|--------------------|---------------------------------------|-----|
| | | 06737 / 02719 / | 100T 150T & 175T | |
| 26 | V2005211 | | CABLE, negative | 1 |
| 35 | 267S07 | | WASHER, flat | 2 |
| 36 | 17S06 | | WASHER, spring | 1 |
| 37 | 7S05 | | NUT | 1 |
| 60 | 109S11 | | BATTERY, 12 volt | 1 |
| 61 | 11S02B | | SCREW, set | 2 |
| 62 | 267S04 | | WASHER, flat | 2 |
| 63 | 17S03 | | WASHER, spring | 2 |
| 64 | 7S02 | | NUT | 2 |
| 65 | 513362000 | | COVER, battery | 1 |
| 66 | 513361900 | | CLAMP, battery | 1 |
| 67 | 52S02E | | SCREW, counter sunk | 2 |
| 68 | 513361700 | | ROD, battery clamp | 2 |
| 69 | 17S03 | | WASHER, spring | 2 |
| 69A | 7S02 | | NUT | 2 |
| 70 | V2003561 | | SWITCH, start, c/w key | 1 |
| 71 | V601179 | | KEY | 2 |
| 72 | V2003540 | | KEY RING | 1 |
| 73 | 513359200 | | BRACKET, start switch | 1 |
| 74 | 11S03A | | SCREW, set | 2 |
| 75 | 61S03 | | NUT, self-locking, 'Binx' | 2 |
| 80 | 513362200 | | LOOM | 1 |
| 81 | V2005209 | | CLIP, 'P' | 1 |
| 82 | 17S04 | | WASHER, spring | 1 |
| 83 | 11S03A | | SCREW, set | 1 |



YANMAR L48N5SJ1 (electric start)**C - 6A****Emergency stop cable**

| Item | Part no | Serial no | Description | Qty |
|-------------|----------------|------------------|-------------------------|------------|
| | | 11195 / | 100T | |
| | | 05637 / | 150T | |
| | | 05604 / | 175T | |
| 1 | 513370900 | | CABLE, emergency stop | 1 |
| 2 | 267S04 | | WASHER, flat | 2 |
| 3 | V2006398 | | TIE, Cable, panel mount | 1 |



HONDA GX160K1 (hand start)
Engine & mounts

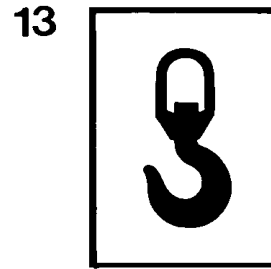
C - 7

| Item | Part no | Serial no | Description | Qty |
|-------------|----------------|------------------|---------------------------|------------|
| 1 | 354073260 | 07395 / | ENGINE, Honda GX160K1 | 1 |
| 2 | 513363600 | | PIPE, exhaust | 1 |
| 3 | 513363700 | | ELBOW, exhaust | 1 |
| 4 | 214S03 | | SCREW, self tapping | 2 |
| 5 | 97S05 | | CLIP, pipe | 2 |
| 6 | 513363800 | | BRACKET, exhaust | 1 |
| 7 | 267S04 | | WASHER, flat | 1 |
| 8 | 17S03 | | WASHER, spring | 1 |
| 9 | 11S02A | | SCREW, set | 1 |
| 19 | 57S04D2 | | SCREW, grub | 1 |
| 20 | 513363000 | | PULLEY | 1 |
| 21 | V2004220 | | WASHER, 'Special' | 1 |
| 22 | 17S04 | | WASHER, spring | 1 |
| 23 | 11S03D | | SCREW, set | 1 |
| 24 | 305110550 | | KEY, parallel | 1 |
| 25 | 397400400 | | BELT, 'V', (100T) | 1 |
| 26 | 513363400 | | SPACER | 1 |
| 30 | 8S03D | | BOLT | 4 |
| 31 | 267S05 | | WASHER, flat | 8 |
| 32 | 61S03 | | NUT, self- locking "Binx" | 4 |
| 35 | 267S07 | | WASHER, flat | 13 |
| 36 | 17S06 | | WASHER, spring | 2 |
| 37 | 7S05 | | NUT | 6 |
| 38 | 61S05 | | NUT, self- locking "Binx" | 4 |
| 39 | 11S05D | | SCREW, set | 2 |
| 40 | 513333100 | | STUD | 2 |
| 45 | 513361800 | | PLATE, engine mounting | 1 |
| 46 | 8S04D | | BOLT | 2 |
| 47 | 267S06 | | WASHER, flat | 2 |
| 48 | 61S04 | | NUT, self- locking "Binx" | 2 |
| 49 | 513364600 | | SUPPORT, bracket | 1 |

2

| | | | |
|----------------|------------|--|-------|
| WINGET | | WINGET LIMITED P.O. Box 47, Southport, Merseyside, L34 6JW Tel: 01204 475161 Fax: 01204 475176 | |
| Model | _____ | | |
| Serial No. | _____ | | |
| Engine No. | _____ | | |
| Capacity | Mass (kg) | _____ | |
| SRO No. | Power (kW) | _____ | |
| Year Of Manuf. | Eng. (rpm) | Drum (rpm) | _____ |

V200337
A Siskin Group Company



3

DANGER

KEEP ENGINE HOUSING
LID CLOSED WHEN
ENGINE IS RUNNING

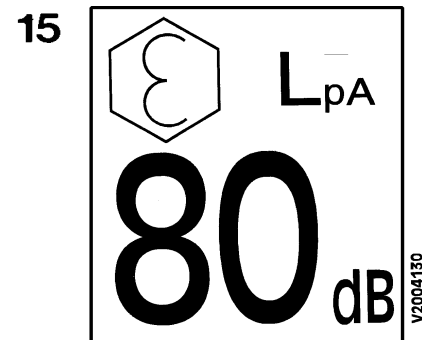


4

SAFETY WARNING

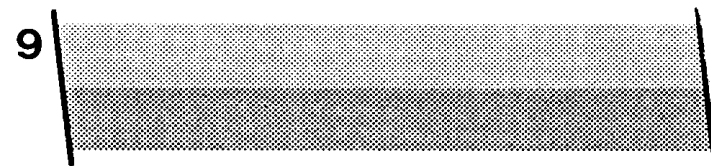
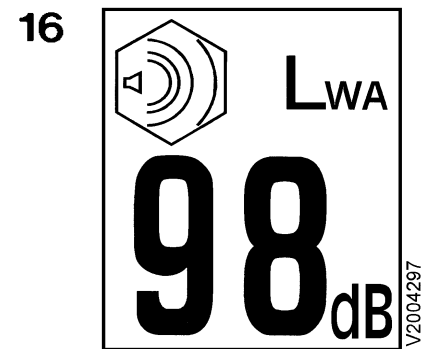
- 1 Before starting this machine, the operator should be familiar with the operating instructions issued by the manufacturer.
- 2 The manufacturer's rated capacity must never be exceeded.
- 3 Before carrying out any maintenance, servicing, or greasing, always ensure that the engine has been switched off. Never work on a machine while it is running.

W504694600



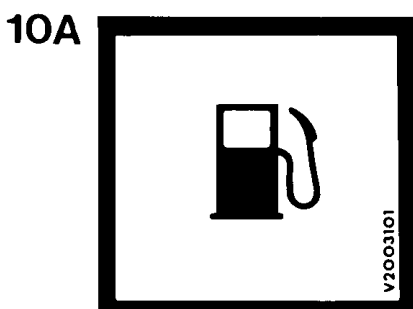
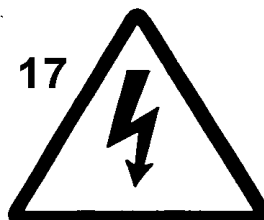
8

WINGET



10

DIESEL FUEL



18

FAILURE TO FOLLOW THE MANUFACTURERS INSTRUCTIONS WHEN STARTING THE ENGINE, MAY CAUSE DAMAGE TO THE MACHINE

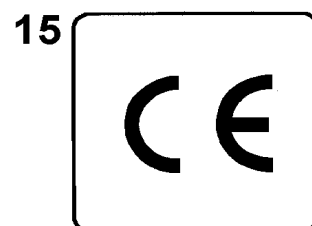
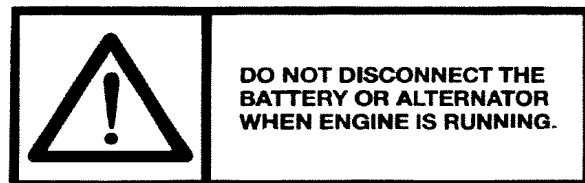
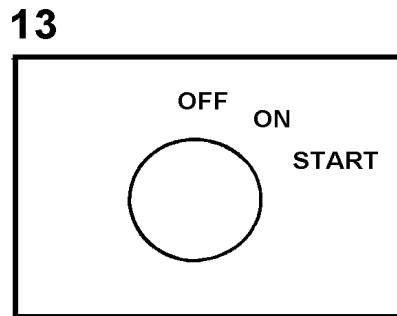
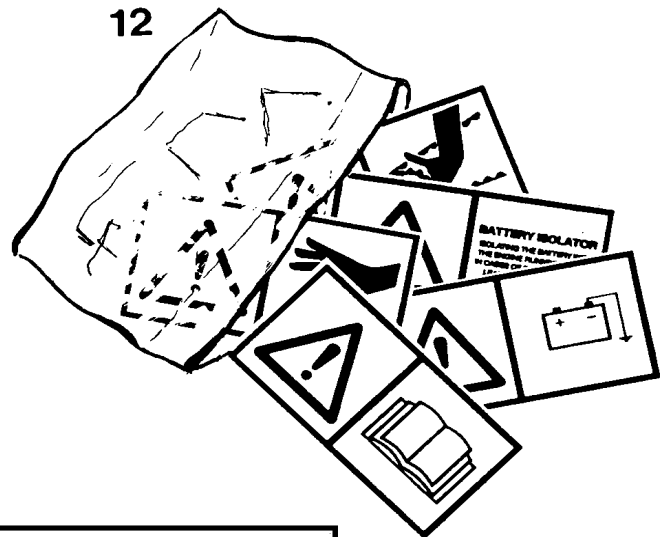
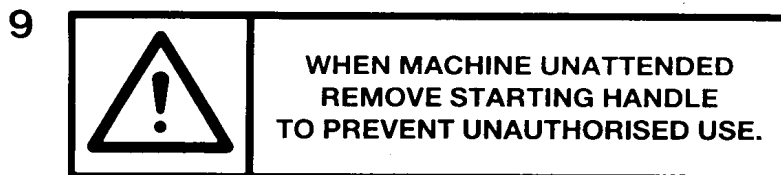
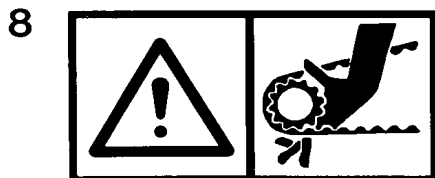
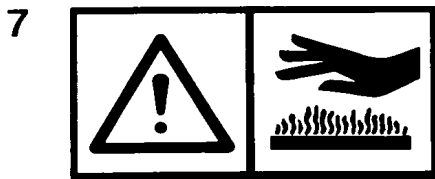
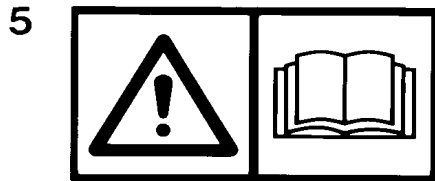
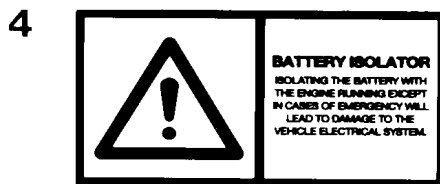
DECALS & PLATES**D - 1**

| Item | Part no | Serial no | Description | Qty |
|-------------|----------------|------------------|---|------------|
| | | | | 1 |
| 2 | V2003037 | | PLATE, serial | 1 |
| — | 101S05B | | RIVET. pop | 4 |
| 3 | 504600900 | | DECAL, "Engine housing lid closed" | 1 |
| 4 | 504694600 | | DECAL, "Safety Warning" | 1 |
| 8 | V2003039 | | DECAL, "WINGET" logo, | 3 |
| 9 | V2003038 | | DECAL, stripe, 2 colour | AR |
| 10 | — | | DECAL, diesel fuel (<i>OBSOLETE: use item 10A</i>) | |
| 10A | V2003101 | | DECAL, "Diesel fuel" | 1 |
| 13 | V2003665 | | DECAL, "Sling point" | 1 |
| 14 | V2003598 | | DECAL, "British made" | 1 |
| 15 | V2004130 | | DECAL, "LPA 80" | 1 |
| 16 | V2004297 | | DECAL, "LWA 98" | 1 |
| 17 | V2004307 | | DECAL, "Electrical hazard" | 1 |
| 18 | V2005208 | | DECAL, "Engine starting procedure" | |

1 **100 T**

2 **150 T**


3 **175 T**




DECALS & PLATES**D - 2**

| Item | Part no | Serial no | Description | Qty |
|-------------|----------------|------------------|---|------------|
| 1 | V2003105 | | DECAL, "100T", Black | 2 |
| 1 | V602436 | | DECAL, "100T" White (<i>Not illustrated</i>) | - |
| 2 | V2003106 | | DECAL, "150T" Black | 2 |
| 2 | V602437 | | DECAL, "150T" White (<i>Not illustrated</i>) | - |
| 3 | V2003107 | | DECAL, "175T" Black | 2 |
| 3 | V602438 | | DECAL, "175T" White (<i>Not illustrated</i>) | - |
| 4 | V2004227 | | DECAL, "Battery isolator" | 1 |
| 5 | V2004229 | | DECAL, "Operators handbook" | 1 |
| 6 | V2004235 | | DECAL, "Negative earth" | 1 |
| 7 | V2004282 | | DECAL, "Hot surface" | 1 |
| 8 | V2004281 | | DECAL, "Chain drive" | 1 |
| 9 | V2004288 | | DECAL, "Remove start handle" | 1 |
| 10 | V2004289 | | DECAL, "Keep hands clear of drum" | 1 |
| 11 | V2004302 | | DECAL, Engine stop" | 1 |
| 12 | V601906 | | KIT, decals, 100T, 150T, 175T Each kit contains all of the decals required for one machine. | 1 |
| 13 | V2005218 | | DECAL "Key switch" | 1 |
| 14 | V2004796 | | DECAL "Do not disconnect battery" | 1 |
| 15 | V2004223 | | DECAL "CE mark" | 1 |


1

| | |
|---|--|
|  | <p>IN COLD WEATHER, IF THE ENGINE IS HARD TO START, REMOVE THE RUBBER PLUG ON THE ROCKER COVER AND ADD NO MORE THAN 2cc OF ENGINE OIL BEFORE STARTING AS RECOMMENDED IN THE ENGINE OPERATORS HANDBOOK. ALWAYS REFIT THE RUBBER PLUG.</p> <p>V2005276</p> |
|---|--|


2

| | |
|---|--|
|  | <p>LWA</p> <p>101 dB</p> <p>V2005311</p> |
|---|--|

3

| | |
|---|---|
|  | <p>LpA</p> <p>85 dB</p> <p>V2004131</p> |
|---|---|

4

| | |
|---|---|
|  | <p>THE RECOIL STARTER SHOULD ONLY BE USED AS AN "EMERGENCY" MEANS OF STARTING THE ENGINE AND SHOULD BE USED WITH CARE. BE AWARE THAT STARTING THE ENGINE WITH THE RECOIL DUE TO THE ABSENCE OF THE START KEY OR BATTERY OR BECAUSE THE BATTERY IS DISCHARGED WILL RESULT IN DAMAGE TO THE ALTERNATOR.</p> <p>V2005214</p> |
|---|---|

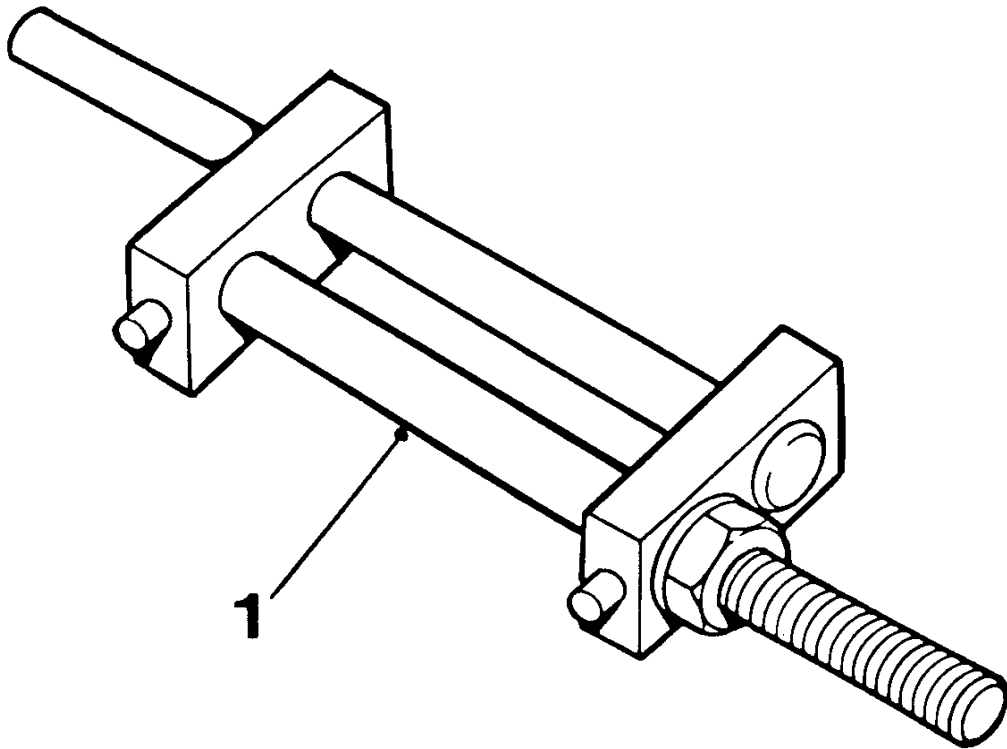


6

| | |
|---|--|
|  | <p>IMPORTANT!</p> <p>TO AVOID INJURY OR MACHINE DAMAGE DO NOT ENGAGE LOCKING PLUNGER WHILST HANDWHEEL IN MOTION</p> |
|---|--|

DECALS & PLATES**D - 2A**

| Item | Part no | Serial no | Description | Qty |
|-------------|----------------|------------------|--------------------------------|------------|
| 1 | V2005276 | | DECAL, " Engine cold starting" | 1 |
| 2 | V2005311 | | DECAL, "LWA 101" | 1 |
| 3 | V2004131 | | DECAL, "LPA 85" | 1 |
| 4 | V2005214 | | DECAL, "The recoil starter" | 1 |
| 5 | FSE357 | | DECAL, "ENGINE STOP" | 1 |
| 6 | V2005630 | | DECAL, "Locking Plunger" | 1 |



SPECIAL TOOLS

| Item | Part no | Serial no | Description | Qty |
|-------------|----------------|------------------|--------------------|------------|
| 1 | 513204000 | | CLAMP, drum clip | 1 |

NUMERICAL INDEX

Built from February 1988

| Part no. | Page | Part no. | Page | Part no. | Page | Part no. | Page |
|-----------------|---------------|-----------------|---------------|-----------------|---------------|-----------------|---------------|
| 22096210 | B - 1A | 208398800 | C - 3 | 397400300 | C - 5 | 513152700 | B - 1B |
| 30788101 | C - 3 | 208398900 | C - 3 | 411411275 | C - 2A | 513152901 | B - 1A |
| 30788102 | C - 3 | 208870000 | C - 3 | 475106000 | A - 1A | 513152902 | B - 1A |
| 30788103 | C - 3 | 225104410 | B - 1C | 475106000 | A - 2A | 513153000 | B - 1B |
| 112820000 | B - 1B | 225514220 | B - 1B | 475115000 | A - 2A | 513153100 | B - 1C |
| 112821000 | B - 1B | 225520280 | B - 1B | 475117006 | A - 4 | 513154500 | A - 1A |
| 114625320 | B - 1B | 241102000 | C - 1 | 475117007 | A - 4 | 513154500 | A - 2A |
| 131270000 | C - 3 | 241102000 | C - 1A | 475117008 | A - 4 | 513155000 | A - 1A |
| 131271000 | C - 3 | 241104000 | C - 1 | 475123001 | A - 5 | 513155000 | A - 2A |
| 131570016 | C - 3 | 241104000 | C - 1A | 475123002 | A - 5 | 513157500 | B - 1A |
| 131766010 | C - 3 | 241702000 | C - 1 | 475130100 | A - 4 | 513158700 | B - 1C |
| 131770010 | C - 3 | 241702000 | C - 1A | 475130200 | A - 4 | 513160700 | B - 1C |
| 132352000 | B - 1C | 241704000 | C - 1 | 475130300 | A - 4 | 513161001 | B - 1A |
| 132362000 | B - 1C | 241704000 | C - 1A | 475130400 | A - 4 | 513161002 | B - 1A |
| 132390000 | B - 1A | 241859000 | A - 1B | 475130500 | A - 5 | 513167900 | A - 4 |
| 132412010 | A - 1A | 241859000 | A - 2B | 475130600 | A - 5 | 513194400 | B - 1B |
| 132412010 | A - 2A | 241859000 | A - 3 | 475130700 | A - 5 | 513198400 | A - 1A |
| 133266050 | C - 3 | 241902000 | C - 1 | 475130800 | A - 5 | 513198400 | A - 2A |
| 133470000 | C - 3 | 241902000 | C - 1A | 504600900 | D - 1 | 513198401 | A - 1A |
| 134105001 | B - 1C | 241904000 | C - 1 | 504694600 | D - 1 | 513198401 | A - 2A |
| 134105001 | C - 1 | 241904000 | C - 1A | 513127500 | C - 1 | 513198402 | A - 1A |
| 134105001 | C - 1A | 254820000 | C - 5 | 513127501 | C - 1 | 513198402 | A - 2A |
| 134105002 | B - 1C | 300204140 | B - 1C | 513127502 | C - 1 | 513198500 | A - 1A |
| 134105002 | C - 1 | 300204160 | C - 1A | 513149300 | B - 1B | 513198500 | A - 2A |
| 134105002 | C - 1A | 304710840 | C - 2A | 513149400 | B - 1B | 513199800 | B - 1A |
| 134105056 | B - 1C | 304710840 | C - 2B | 513149600 | B - 1A | 513202800 | B - 1A |
| 134105060 | B - 1C | 304710840 | C - 2C | 513149700 | B - 1C | 513203100 | B - 1A |
| 134105095 | C - 1 | 305110550 | C - 5 | 513149800 | B - 1C | 513203202 | B - 1A |
| 134105095 | C - 1A | 315803100 | B - 1C | 513150100 | B - 1A | 513203300 | B - 1B |
| 142330000 | B - 1A | 332719000 | A - 1A | 513150200 | B - 1C | 513203400 | A - 2A |
| 144700100 | C - 3 | 332719000 | A - 2A | 513150300 | B - 1C | 513203600 | B - 1A |
| 144700200 | C - 3 | 353830650 | A - 1A | 513150400 | B - 1C | 513203800 | B - 1A |
| 144750000 | C - 3 | 353830650 | A - 2A | 513151000 | B - 1B | 513203900 | B - 1A |
| 192928000 | C - 3 | 354051000 | C - 1A | 513151100 | B - 1A | 513204000 | D - 3 |
| 202493500 | C - 2A | 354051005 | C - 1A | 513151600 | B - 1C | 513205300 | A - 1B |
| 202493600 | C - 2A | 354052000 | C - 1 | 513151700 | B - 1C | 513205300 | A - 2B |
| 202493700 | C - 2B | 354054100 | C - 1A | 513151800 | A - 1B | 513205300 | A - 3 |
| 202493700 | C - 2C | 354054200 | C - 1 | 513151800 | A - 2B | 513205600 | A - 2B |
| 202493800 | C - 2B | 386102000 | A - 4 | 513151800 | A - 3 | 513208800 | B - 1A |
| 202493800 | C - 2C | 386102000 | A - 5 | 513152000 | B - 1A | 513211400 | B - 1B |
| 207818001 | C - 3 | 397400100 | C - 2A | 513152100 | B - 1A | 513211500 | B - 1B |
| 207818003 | C - 3 | 397400100 | C - 2B | 513152200 | B - 1A | 513211700 | B - 1C |
| 207818004 | C - 3 | 397400100 | C - 2C | 513152300 | B - 1A | 513211800 | B - 1C |
| 208398500 | C - 3 | 397400100 | C - 4 | 513152400 | B - 1C | 513211900 | B - 1C |
| 208398600 | C - 3 | 397400200 | C - 5 | 513152500 | B - 1C | 513212000 | B - 1B |

| <i>Part no.</i> | <i>Page</i> | <i>Part no.</i> | <i>Page</i> | <i>Part no.</i> | <i>Page</i> | <i>Part no.</i> | <i>Page</i> |
|-----------------|---------------|-----------------|---------------|-----------------|---------------|-----------------|---------------|
| 513212300 | B - 1B | 513340800 | A - 1B | 513358700 | C - 4 | 105S05 | C - 2C |
| 513248300 | C - 1A | 513340800 | A - 2B | 513358800 | C - 4 | 107S14 | B - 1B |
| 513248400 | C - 1 | 513340800 | A - 3 | 513358800 | C - 5 | 109S11 | C - 6 |
| 513248400 | C - 1A | 513340900 | A - 1A | 513358900 | A - 3 | 10S03 | A - 1A |
| 513248401 | C - 1 | 513340500 | C - 1 | 513359000 | C - 4 | 10S03 | A - 2A |
| 513248402 | C - 1 | 513341000 | A - 1A | 513359100 | A - 3 | 10S03 | B - 1A |
| 513248403 | C - 1 | 513341100 | A - 1A | 513359200 | A - 3 | 10S03 | B - 1B |
| 513248404 | C - 1 | 513341200 | A - 1A | 513359200 | C - 6 | 10S03 | B - 1C |
| 513248700 | A - 2B | 513341200 | A - 2A | 513359300 | C - 4 | 10S04 | A - 2A |
| 513256500 | C - 1 | 513341300 | A - 1B | 513359700 | C - 1 | 10S04 | B - 1A |
| 513256500 | C - 1A | 513341400 | A - 1B | 513359700 | C - 1A | 10S05 | A - 4 |
| 513266700 | C - 1 | 513341400 | A - 3 | 513359800 | C - 1 | 10S09 | A - 1A |
| 513266800 | C - 1A | 513341500 | A - 1B | 513359800 | C - 1A | 10S09 | A - 2A |
| 513266900 | A - 2B | 513341600 | A - 1B | 513360200 | A - 5 | 10S09 | B - 1B |
| 513267400 | C - 1A | 513341900 | C - 1 | 513361000 | A - 5 | 10S17 | A - 1A |
| 513267500 | C - 1A | 513342000 | C - 2A | 513361100 | A - 5 | 10S17 | A - 2A |
| 513267500 | C - 4 | 513342100 | C - 2A | 513361600 | C - 5 | 10S18 | B - 1B |
| 513269400 | A - 2A | 513342100 | C - 2B | 513361700 | C - 6 | 11S01C | C - 3 |
| 513270300 | A - 2B | 513342200 | A - 4 | 513361800 | C - 5 | 11S02A | A - 1B |
| 513274900 | A - 2A | 513342300 | A - 4 | 513361900 | C - 6 | 11S02A | A - 2B |
| 513275200 | A - 2A | 513342500 | C - 1 | 513362000 | C - 6 | 11S02A | A - 3 |
| 513278200 | C - 1 | 513343000 | C - 1 | 513362100 | C - 5 | 11S02B | A - 1A |
| 513278200 | C - 1A | 513343400 | C - 2B | 513362200 | C - 6 | 11S02B | A - 2A |
| 513278400 | B - 1C | 513343800 | A - 4 | 513362300 | C - 5 | 11S02B | C - 6 |
| 513285000 | A - 1B | 513343800 | A - 5 | 513362400 | A - 1B | 11S03A | A - 3 |
| 513285000 | A - 1B | 513343900 | A - 4 | 555170000 | A - 1B | 11S03A | C - 6 |
| 513285000 | A - 2B | 513343900 | A - 5 | 555170000 | A - 2B | 11S03C | C - 4 |
| 513286800 | A - 2B | 513344000 | A - 4 | 555170000 | A - 3 | 11S03D | C - 5 |
| 513286800 | A - 3 | 513344000 | A - 5 | V2003037 | D - 1 | 11S04B | A - 3 |
| 513287000 | A - 2B | 513344100 | C - 1 | 103S04C | B - 1B | 11S04C | A - 3 |
| 513287200 | A - 1B | 513344200 | A - 4 | 104S03 | A - 1A | 11S04C | A - 4 |
| 513287200 | A - 2B | 513344300 | A - 4 | 104S03 | A - 1B | 11S04C | A - 5 |
| 513287200 | A - 3 | 513345100 | A - 5 | 104S03 | A - 2A | 11S04D | C - 4 |
| 513290300 | C - 2C | 513345300 | B - 1B | 104S03 | A - 2B | 11S04E | A - 1B |
| 513290400 | C - 2C | 513345400 | B - 1B | 104S03 | A - 3 | 11S04E | A - 2B |
| 513290500 | C - 2C | 513345600 | B - 1B | 104S03 | A - 4 | 11S04F | C - 4 |
| 513290600 | C - 2A | 513345700 | A - 4 | 104S03 | A - 5 | 11S05D | C - 5 |
| 513290600 | C - 2B | 513350000 | C - 2B | 104S03 | B - 1A | 11S05E | A - 5 |
| 513290600 | C - 2C | 513355800 | A - 1B | 104S03 | B - 1B | 11S05T | C - 1 |
| 513290700 | B - 1C | 513358100 | A - 1A | 104S03 | B - 1C | 153S01 | C - 1 |
| 513298900 | B - 1C | 513358100 | A - 2A | 104S03 | C - 2A | 153S01 | C - 1A |
| 513333100 | C - 2B | 513358300 | C - 4 | 104S03 | C - 2B | 153S01 | C - 4 |
| 513333100 | C - 2C | 513358400 | A - 3 | 104S03 | C - 2C | 153S02 | C - 5 |
| 513333100 | C - 4 | 513358500 | A - 3 | 105S05 | C - 1A | 153S03 | C - 4 |
| 513333100 | C - 5 | 513358600 | A - 3 | 105S05 | C - 2B | 15S01A | D - 1 |

| <i>Part no.</i> | <i>Page</i> | <i>Part no.</i> | <i>Page</i> | <i>Part no.</i> | <i>Page</i> | <i>Part no.</i> | <i>Page</i> |
|-----------------|-------------|-----------------|-------------|-----------------|-------------|-----------------|-------------|
| 16S06C | C - 3 | 267S06 | A - 5 | 57S04D2 | B - 1C | 6S02D | A - 1B |
| 17S02 | C - 3 | 267S06 | C - 4 | 57S04D2 | C - 2A | 6S02D | A - 3 |
| 17S03 | A - 1A | 267S06 | C - 5 | 57S04D2 | C - 2B | 6S02E | C - 4 |
| 17S03 | A - 1B | 267S07 | A - 5 | 57S04D2 | C - 2C | 6S03E | B - 1B |
| 17S03 | A - 2A | 267S07 | C - 1 | 57S04D2 | C - 5 | 7S01 | C - 3 |
| 17S03 | A - 2B | 267S07 | C - 1A | 57S05D2 | C - 1A | 7S02 | A - 2B |
| 17S03 | A - 3 | 267S07 | C - 2A | 57S06F1 | B - 1B | 7S02 | A - 3 |
| 17S03 | C - 5 | 267S07 | C - 2B | 59S03 | A - 4 | 7S02 | C - 5 |
| 17S03 | C - 6 | 267S07 | C - 2C | 59S03 | A - 5 | 7S02 | C - 6 |
| 17S04 | A - 3 | 267S07 | C - 4 | 59S03 | C - 4 | 7S03 | A - 3 |
| 17S04 | C - 4 | 267S07 | C - 5 | 61S02 | A - 1B | 7S03 | C - 4 |
| 17S04 | C - 5 | 267S07 | C - 6 | 61S02 | A - 2B | 7S04 | A - 1B |
| 17S04 | C - 6 | 28S02E | A - 1B | 61S02 | A - 3 | 7S04 | A - 2B |
| 17S05 | A - 3 | 28S02E | A - 2B | 61S02 | C - 6 | 7S04 | A - 3 |
| 17S05 | A - 4 | 28S02E | A - 3 | 61S03 | A - 4 | 7S04 | A - 4 |
| 17S05 | A - 5 | 28S05G | B - 1A | 61S03 | C - 5 | 7S04 | A - 5 |
| 17S06 | C - 2A | 41S04 | B - 1B | 61S03 | C - 6 | 7S05 | C - 1 |
| 17S06 | C - 2B | 41S04 | C - 4 | 61S04 | C - 4 | 7S05 | C - 2A |
| 17S06 | C - 2C | 41S05 | A - 1A | 61S04 | C - 5 | 7S05 | C - 2B |
| 17S06 | C - 4 | 41S05 | A - 1B | 61S05 | A - 5 | 7S05 | C - 2C |
| 17S06 | C - 5 | 41S05 | A - 2A | 61S05 | C - 1 | 7S05 | C - 4 |
| 17S06 | C - 6 | 41S05 | A - 2B | 61S05 | C - 1A | 7S05 | C - 5 |
| 192S05 | A - 2A | 41S05 | A - 3 | 61S05 | C - 2A | 7S05 | C - 6 |
| 192S05 | C - 1A | 41S05 | A - 4 | 61S05 | C - 2B | 87S02 | A - 1B |
| 200S03E | A - 4 | 41S05 | A - 5 | 61S05 | C - 2B | 87S02 | A - 2B |
| 200S03E | A - 5 | 41S05 | B - 1A | 61S05 | C - 2C | 87S02 | A - 3 |
| 200S03E | B - 1A | 41S05 | B - 1B | 61S05 | C - 5 | 88S05D | B - 1C |
| 200S03G | B - 1A | 41S05 | B - 1C | 61S05 | C - 1 | 88S07D | B - 1A |
| 208S03F | B - 1C | 41S05 | C - 2A | 66S02CC | B - 1B | 88S15D | B - 1C |
| 216S08 | A - 4 | 41S05 | C - 2B | 66S03A | C - 2A | 88S20D | B - 1A |
| 267S03 | C - 3 | 41S05 | C - 2C | 66S03A | C - 2B | 8S03B | A - 4 |
| 267S04 | A - 1B | 41S07 | B - 1A | 66S03A | C - 2C | 8S03D | C - 5 |
| 267S04 | A - 2B | 44S02B | C - 5 | 66S03AA | B - 1C | 8S04D | C - 5 |
| 267S04 | A - 3 | 44S03C | A - 4 | 66S03C | A - 3 | 8S04E | A - 4 |
| 267S04 | C - 1 | 44S03D | A - 1A | 66S03C | B - 1C | 8S04E | A - 5 |
| 267S04 | C - 1A | 44S03D | A - 2A | 66S03CC | A - 1A | 8S05D | C - 2B |
| 267S04 | C - 5 | 44S05G | A - 1A | 66S03CC | A - 1B | 8S05D | C - 2C |
| 267S04 | C - 6 | 44S05G | A - 2A | 66S03CC | A - 2A | 8S05E | C - 1A |
| 267S05 | A - 4 | 49S41 | B - 1C | 66S03CC | A - 2B | 8S05F | C - 1 |
| 267S05 | C - 4 | 49S42 | B - 1C | 66S03CC | A - 3 | 8S05H | C - 1 |
| 267S05 | C - 5 | 52S02C | A - 2B | 66S03CC | B - 1B | 8S05H | C - 2A |
| 267S06 | A - 1B | 52S02E | C - 6 | 66S03D | B - 1C | 8S05H | C - 2B |
| 267S06 | A - 2B | 54S01A | B - 1B | 66S05A | C - 1A | 8S05H | C - 2C |
| 267S06 | A - 3 | 55S07Q | B - 1B | 66S05D | B - 1A | 8S05J | C - 1A |
| 267S06 | A - 4 | 56S07 | C - 3 | 69S05E | A - 2A | 92S07 | A - 4 |

| <i>Part no.</i> | <i>Page</i> | <i>Part no.</i> | <i>Page</i> |
|-----------------|---------------|-----------------|--------------|
| 902S02 | A - 4 | V2005208 | D - 1 |
| 902S02 | A - 5 | V2005209 | C - 6 |
| EL375231 | C - 1 | V2005210 | C - 5 |
| EL375231 | C - 1A | V2005211 | C - 6 |
| EL60142480 | C - 1 | V2005213 | C - 5 |
| EL60150016 | C - 1 | V2005218 | D - 2 |
| EL60150016 | C - 1A | V2005220 | C - 5 |
| EL60222040 | C - 1 | V600149 | A - 4 |
| EL60252971 | C - 1 | V600150 | A - 4 |
| EL60252971 | C - 1A | V600151 | A - 4 |
| V2000772 | B - 1A | V600152 | A - 4 |
| V2003038 | D - 1 | V600153 | A - 4 |
| V2003039 | D - 1 | V600153 | A - 5 |
| V2003101 | D - 1 | V600154 | A - 4 |
| V2003105 | D - 2 | V600155 | A - 4 |
| V2003106 | D - 2 | V601179 | C - 6 |
| V2003107 | D - 2 | V601339 | C - 1 |
| V2003109 | A - 1B | V601906 | D - 2 |
| V2003109 | A - 2B | V602436 | D - 2 |
| V2003540 | C - 6 | V602437 | D - 2 |
| V2003561 | C - 6 | V602438 | D - 2 |
| V2003598 | D - 1 | V602717 | A - 5 |
| V2003665 | D - 1 | V602718 | A - 5 |
| V2004055 | A - 3 | V602719 | A - 5 |
| V2004120 | A - 3 | V602720 | A - 5 |
| V2004130 | D - 1 | V602721 | A - 5 |
| V2004220 | A - 5 | V602722 | A - 5 |
| V2004220 | C - 5 | | |
| V2004223 | D - 2 | | |
| V2004227 | D - 2 | | |
| V2004229 | D - 2 | | |
| V2004235 | D - 2 | | |
| V2004253 | C - 4 | | |
| V2004281 | D - 2 | | |
| V2004282 | D - 2 | | |
| V2004288 | D - 2 | | |
| V2004289 | D - 2 | | |
| V2004297 | D - 1 | | |
| V2004302 | D - 2 | | |
| V2004307 | D - 1 | | |
| V2004765 | A - 4 | | |
| V2004765 | A - 5 | | |
| V2004796 | D - 2 | | |

CALIFORNIA

Proposition 65 Warning

Diesel engine exhaust and some of its constituents are known to the State of California to cause cancer, birth defects, and other reproductive harm