

# WINGET

## 4WD SITE DUMPERS 4B RANGE



4B2000 HT, 4B2000 HD

**WINGET**  
4WD DUMPERS  
4B RANGE



heavy duty lip ram



simple, high strength chassis front and rear



rugged front axle with totally immersed multi-plate disc brakes on all models



strong chain drive transfer box



4B2000 HD  
high discharge

4B2000 HT  
low discharge



hydraulic steering by powerful ram and articulating chassis



Lister Petter 2 cylinder air cooled diesel engine with cyclonic air filter



rugged centre pivot (and central lifting point)



heavy duty rear axle, centre pivot oscillation, optional oil immersed disc brakes

Tough and versatile, Winget 4B Range quality site dumpers offer reliability and simplicity for a long, productive life

Two models available: HT - standard tip, HD - high discharge

Both models include hand start engine, hydraulic tipping, brakes on front axle

Available with optional extras: electric start engine, braked rear axle, lighting kit

High strength articulated steel chassis and centre pivot

Rugged and durable Lister Petter air cooled diesel engine - available with hand or electric start

Hydraulically operated skip with twin rams on standard skip (HT) and single heavy duty ram on high discharge skip (HD)

Heavy duty axles with oil immersed multi-plate disc brakes which maintain braking efficiency and minimise maintenance in site conditions

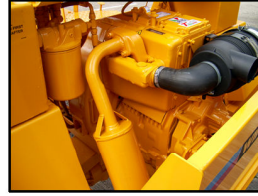
WINGET is an ISO9001 accredited company

Efficient after sales spares service through Winget's worldwide distributor network

4B2000 HT  
4B2000 HD

**WINGET**  
4WD SITE MIXERS  
4B RANGE

4B2000 HT  
4B2000 HD



**Chassis:** Robust, high strength front and rear chassis. Central articulation pivot with low maintenance spherical bearings. High articulation angle for tight turning performance (turning circle 7.45m).

**Engine:** Lister Petter TR2 air cooled diesel 19kW (25.4hp) @ 2500rpm. Hand start (electric start optional).

**Transmission:** Heavy duty constant mesh gearbox with 3 forward and 1 reverse gears, driving through a single dry-plate clutch (8.25" diameter). Chain drive transfer box coupled by heavy-duty propeller shafts to the front and rear axles.

**Axles and Brakes:** Front axle - heavy duty double reduction with fully floating half shafts. Totally enclosed oil immersed multi-plate disc brakes. Rear axle - heavy duty double reduction with fully floating half shafts. Frame mounted with centre pivot oscillation. (brakes on rear axle optional).

**Skip:** Heavy duty 5mm steel plate with skip edges and underside reinforced by welded steel section for maximum durability.

**Steering and Hydraulics:** Full power hydrostatic steering operating through central articulation pivot. Direct drive gear pump with high capacity return line filtration. Hydraulic tank has lockable filler cap.

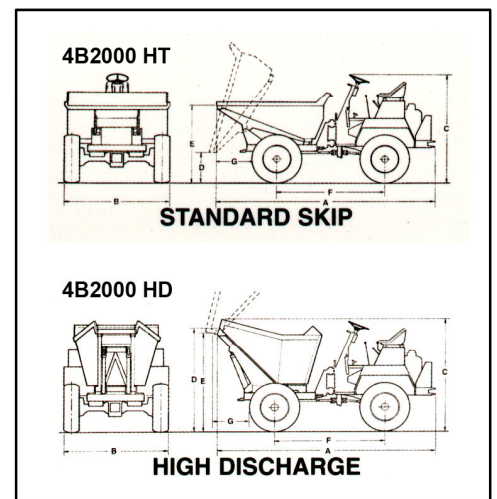
**Driving position and Controls:** Central high-mounted driving position for good all round visibility. Fully cushioned seat with rubber suspension spring, accessible from both sides. Foot and hand controls carefully positioned for maximum operator comfort and easy operation.

**Tyres:** Rough terrain 11.5/80 x 15.3. Road Speeds: 1st - 4.3Kmh, 2nd - 10.0Kmh, 3rd - 18.5Kmh, Reverse - 4.8Kmh.

**Tank Capacities:** Fuel 29.5 litres, Hydraulic 29.5 litres.

**Options:** electric start, braked rear axle, lighting kit.

Dimensions	4B2000 HT	4B2000 HD
A Overall length	3.55 m	3.27 m
B Overall width	1.76 m	1.76 m
C Overall height	1.83 m	1.83 m
D Discharge height	0.57 m	1.45 m
E Loading height	1.33 m	1.55 m
F Wheelbase	1.79 m	1.79 m
G Forward discharge	0.56 m	0.30 m
Machine weight	1739 kg	1875 kg
Cube (free standing)	11.43 m3	10.53 m3
<b>Skip capacities</b>		
Payload	2000 kg	2000 kg
Water level	850 litres	850 litres
Struck	1100 litres	1000 litres
Heaped	1500 litres	1207 litres



**Winget Limited**

PO Box 41, Edgfold Industrial Estate  
Bolton, BL4 0LS, England.

Tel: +44 (0)1204 854650, Fax: +44 (0)1204 854664  
email: sales@winget.co.uk, www.winget.co.uk

Dealer Stamp



a **Seddon** Group Company