

WINGET

**SPARE PARTS
MANUAL**

**SERIES 1, 2 & 3
MODEL 42
WINGET
DIESEL
TRACTOR**

REPRINTED JULY 2002

WINGET LIMITED
PO BOX 41
EDGEFOLD INDUSTRIAL ESTATE
PLODDER LANE
BOLTON
LANCS
BL4 OLS
TEL: ++ 44 (0) 1204 854650
FAX: ++ 44 (0) 1204 854663
service@winget.co.uk
parts@winget.co.uk
winget.co.uk

INTRODUCTION

This Parts Manual is a re-print of the original manual last published some years ago and has been re-printed in response to requests from enthusiasts who continue to run examples of the Winget 550 and Series 1,2 or 3 of the Model 42 Tractors.

The fact that a particular part number is listed on the following pages does not necessarily indicate that the component is still available.

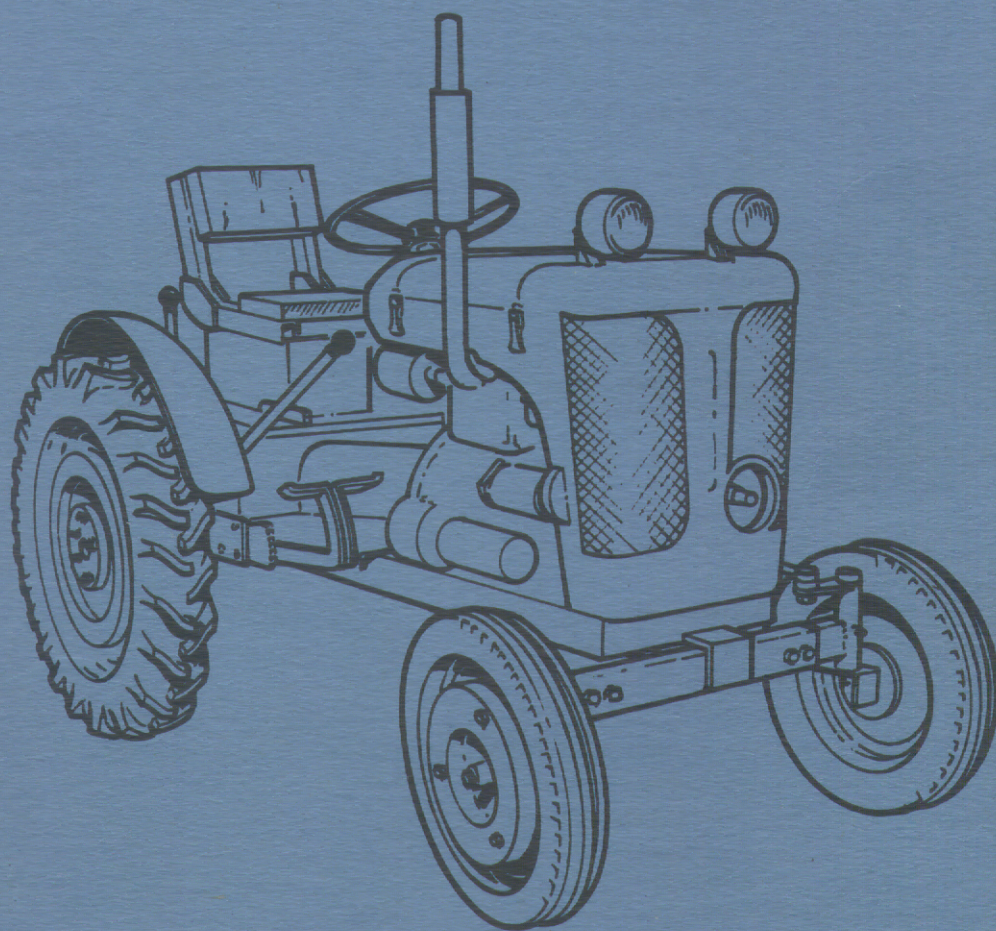
Reference is made on a number of pages to 'bolt c/w nut and washer', this no longer the case, fixings such as nuts, bolts, screws and washers should be ordered as individual items. A number of Whitworth and B.S.F fixings are now no longer available, in these cases the nearest metric equivalent size will be supplied.

The contents of this manual although believed correct at the time of publication, may be subject to alteration by the manufacturers without notice and Winget Limited can accept no responsibility for any errors or omissions contained within the following pages. Nor can we accept any liability whatsoever arising from the use of this manual howsoever caused.

WINGET LIMITED
PO BOX 41
EDGEFOLD INDUSTRIAL ESTATE
PLODDER LANE
BOLTON
LANCS
BL4 OLS
TEL ++ 44 (0) 1204 854650
FAX ++ 44 (0) 1204 854663
E mail service@winget.co.uk
parts@winget.co.uk
www.winget.co.uk

Winget

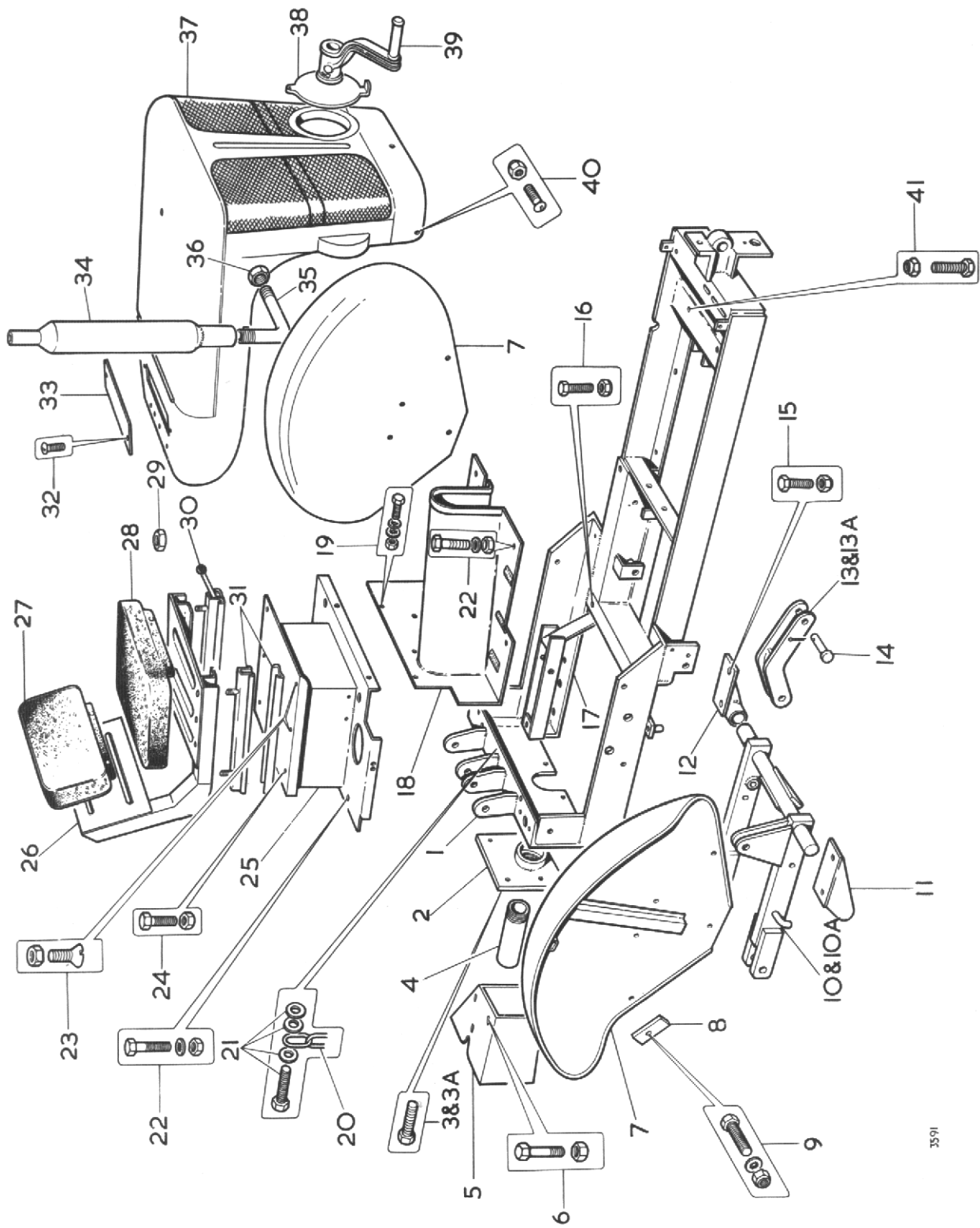
SERIES I, II & III TRACTOR



M O D E L 4 2

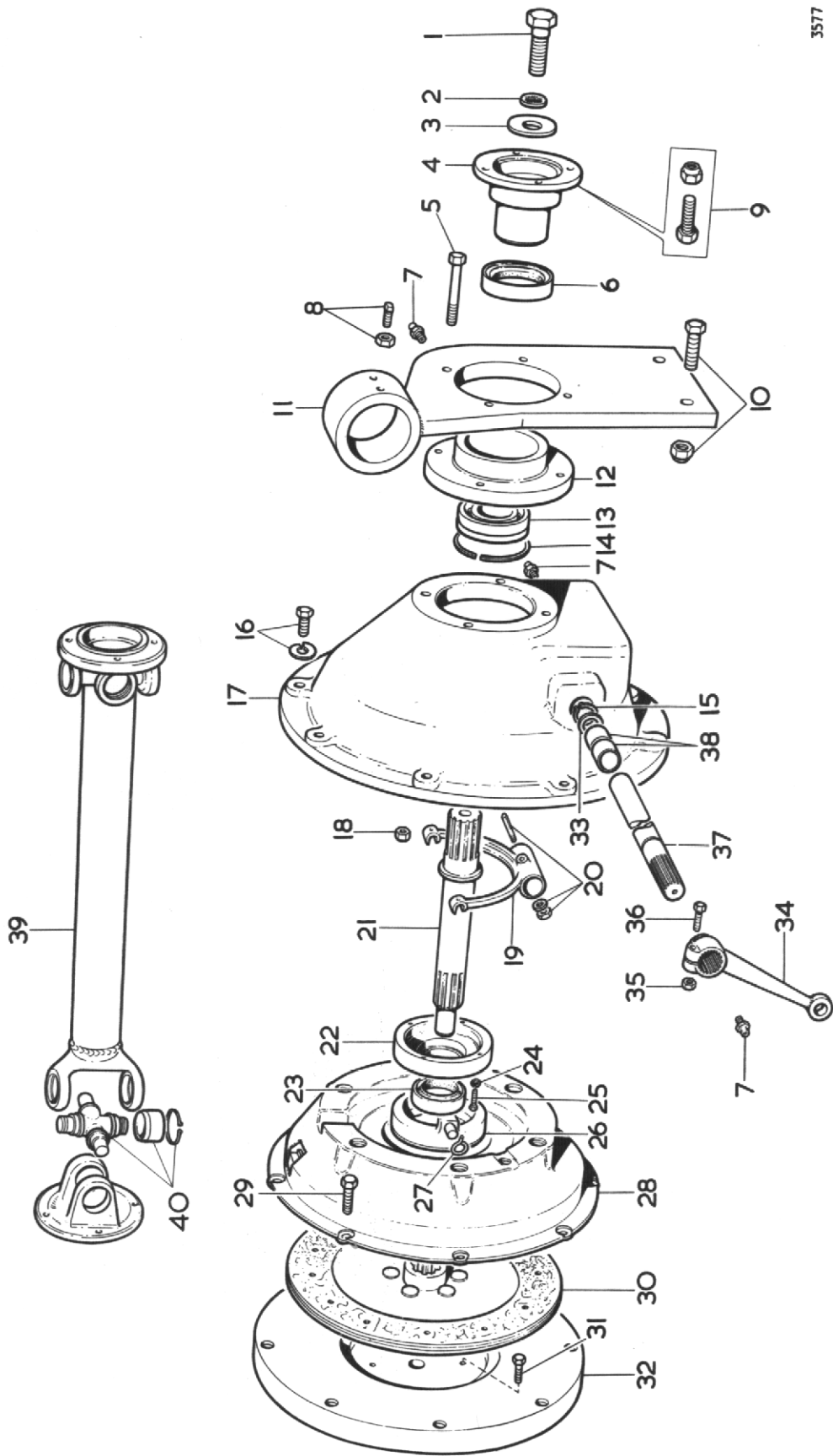
SLATER & ENGLAND LTD , AGRICULTURAL MACHINERY SALES,
WINGLOS HOUSE , BRISTOL ROAD , GLOUCESTER. TEL.20228

SPARE PARTS BOOK



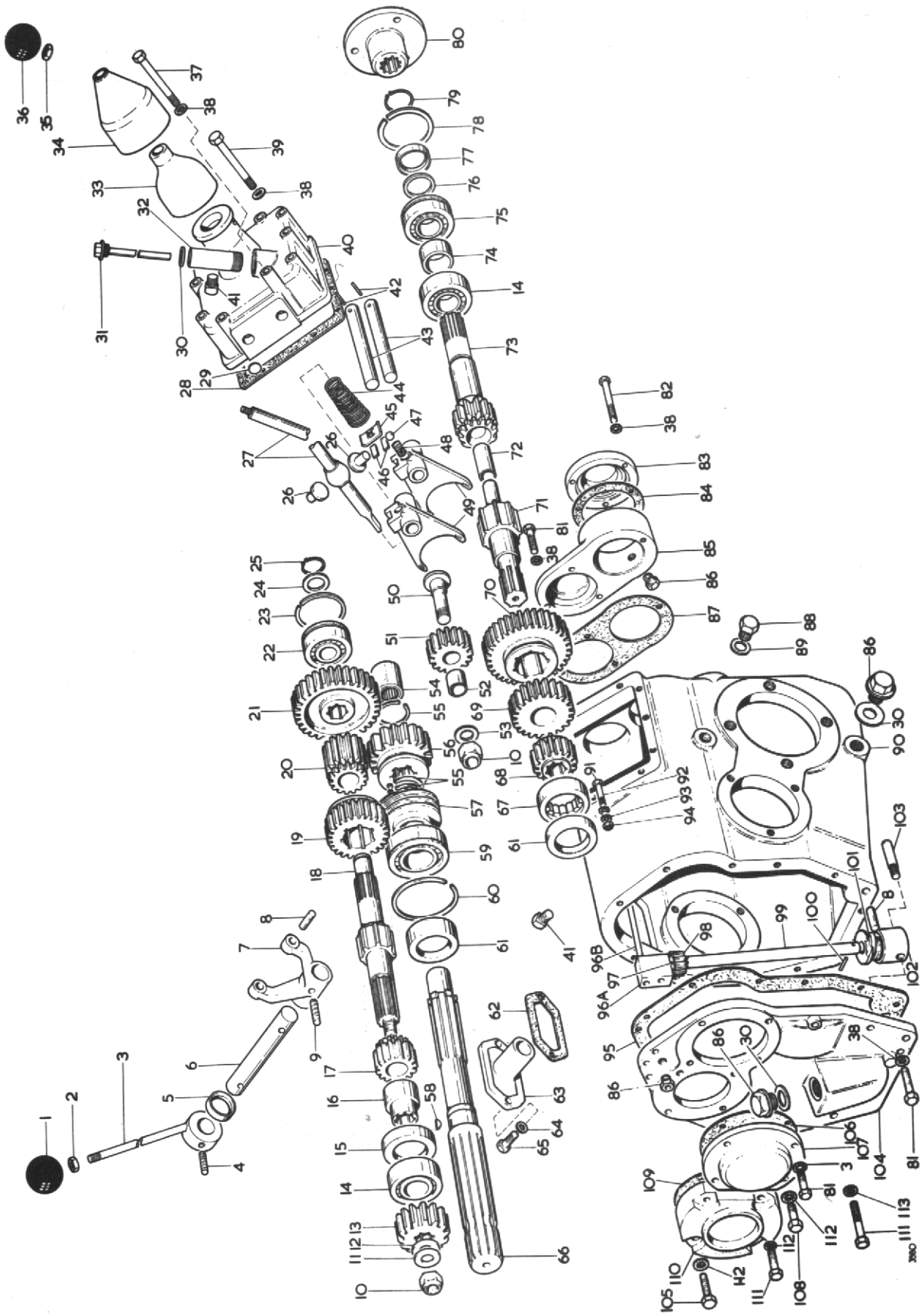
CHASSIS

<u>Item No.</u>	<u>Part No.</u>	<u>Description</u>	<u>No. Off</u>
1	WT 100	Chassis	1
2	WT 208	Gearbox Locating Plate Assembly	1
3		Bolt and Nut $\frac{3}{8}$ " UNF x $1\frac{1}{2}$ " Long	3
3A		Bolt and Nut $\frac{3}{8}$ " UNF x 1" Long	1
4	WT 211	P.T.O. Cover	1
5	WT 226	P.T.O. Guard	1
6		Bolt and Nut $\frac{3}{8}$ " UNF x 1" Long	2
7	WT 114	Mudwing	2
8	WT 617	Reinforcing Plate	4
9		Bolt and Nut $\frac{3}{8}$ " UNF x $1\frac{1}{2}$ " Long	6
10	WT 224	Tool Lift Assembly (Series I)	1
10A	WT 823	Tool Lift Assembly (Series II and III)	1
11	WT 187-RH	Cross Shaft Bracket R.H.	1
12	WT 187-LH	Cross Shaft Bracket L.H.	1
13	WT 213	Cylinder Link (Up to Machine 200)	1
13A	WT 705	Cylinder Link (From Machine 201 Onwards)	1
14	WT 178/11	Link Pin	2
15		Bolt and Nut $\frac{5}{8}$ " UNF x 2" Long	4
16		Bolt and Nut $\frac{1}{2}$ " UNF x $1\frac{1}{2}$ " Long	1
17	WT 708	Cylinder Mounting Bracket Series II & III	2
18	WT 113	Tunnel and Floor Assembly	1
19		Bolt and Nut $\frac{3}{8}$ " UNF x $\frac{3}{4}$ " Long	4
20	WT 562	Check Chain	1
21		Bolt and Nut $\frac{1}{2}$ " UNF x $2\frac{1}{2}$ " Long	1
22		Bolt and Nut $\frac{3}{8}$ " UNF x 1" Long	6
23		Countersunk Head Screw and Nut $\frac{1}{4}$ " BSF x $\frac{3}{4}$ " Long	4
24		Screw and Nut $\frac{1}{2}$ " UNF x $\frac{1}{2}$ " Long	2
25	WT 112	Cover and Toolbox	1
26	WT 261	Seat	1
27	WT 265	Back Rest	1
28	WT 264	Seat Squab	1
29		Nut 5/16" BSF	4
30	WT 262	Seat Runner R.H.	1
31	WT 263	Seat Runner L.H.	1
32		$\frac{1}{4}$ " UNF x $\frac{1}{2}$ " Long Mushroom Head Bolt and Nut	2
33	WT 107-2	Cover Plate	1
34	WT 606	Silencer	1
35	WT 594	Exhaust Pipe	1
36	WT 612	Back Nut	1
37	WT 107	Bonnet	1
38	WT 107-3	Cover Plate (Starter Shaft)	1
39	WT 829	Starting Handle	1
40		$\frac{3}{8}$ " Whit x 1" Long Mushroom Head and Nut	3
41		$\frac{1}{2}$ " UNF x 2" Long Bolt, Engine Mounting	2



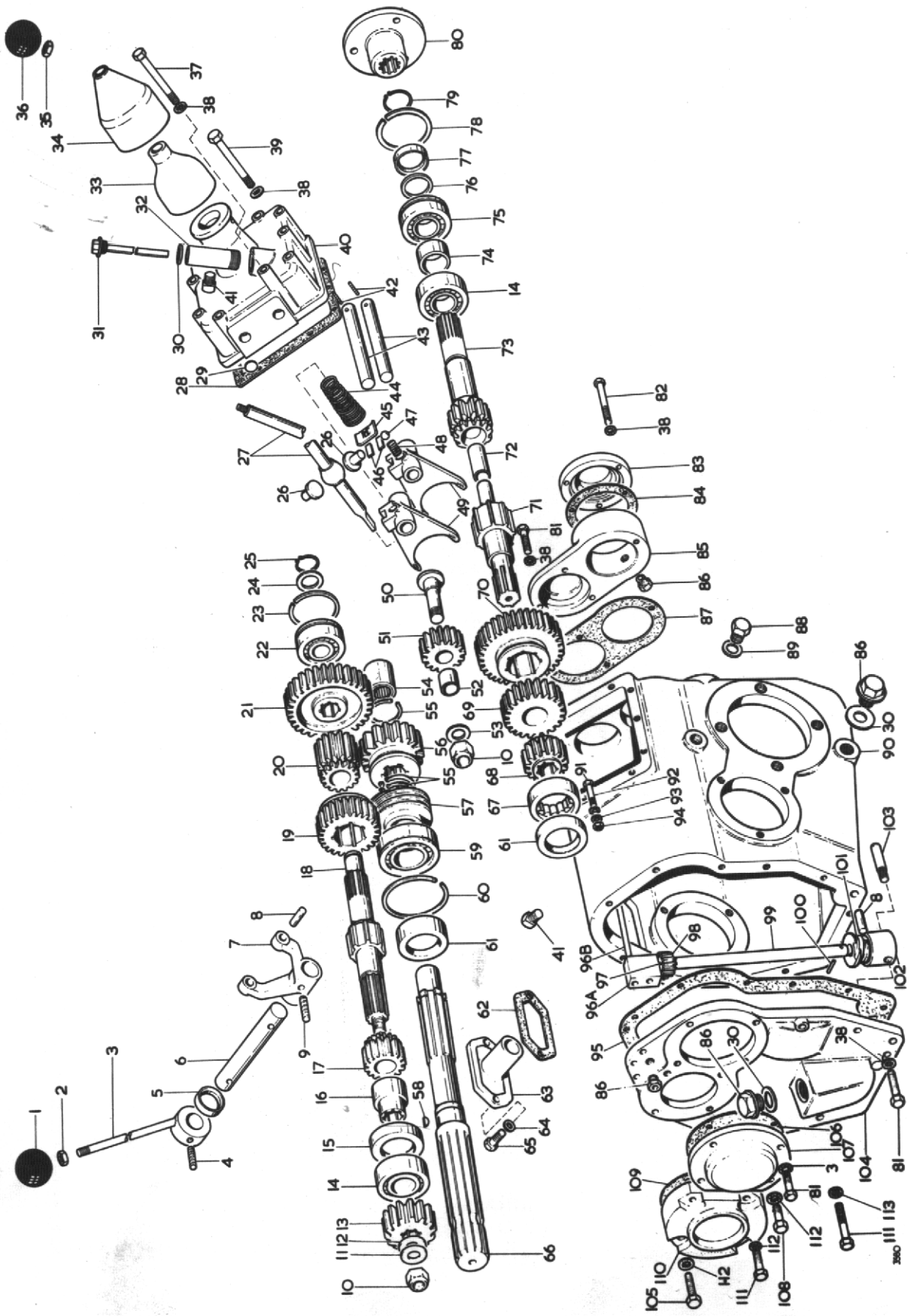
DRIVE UNIT

<u>Item No.</u>	<u>Part No.</u>	<u>Description</u>	<u>No. Off</u>
1	WTD 294	Screw	1
2		Lockwasher	1
3	WTD 293	Flat Washer	1
4	WT 281	Companion Flange	1
5		$\frac{3}{8}$ " UNF x $2\frac{1}{4}$ " Long Bolt Bearing Housing	4
6	WT 282	Oil Seal	1
7	WTD 411	Grease Nipple	3
8		$\frac{7}{16}$ " Whit Screw and Locknut	2
9		$\frac{5}{16}$ " UNF x 1" Long Bolt and Nut	4
10		$\frac{1}{2}$ " UNF x 2" Long Bolt and Nut	2
11	WT 109	Rear Bearer and Steering Box Bracket	1
12	WT 103	Bearing Housing	1
13	WTD 401	Input Bearing	1
14	WT 403	Snap Ring	1
15	WTD 286	Circlip	1
16		$\frac{3}{8}$ " UNF x 1" Long Bolt	8
17	WTD 283	Clutch Housing	1
18		$\frac{3}{8}$ " UNF Nut	8
19	WTD 291	Clutch Release Fork	1
20	WTD 292	Cotter, Nut and Washer	1
21	WT 104	Clutch Drive Shaft	1
22	WTD 295	Front Cover	1
23	WTD 296	Oil Seal Input	1
24		Lockwasher	4
25		$\frac{1}{2}$ " UNF x 1" Long Bolt	4
26	WTD 278	Clutch Release Bearing	1
27	WTD 277	Spring Retainer	2
28	WTD 279	Clutch Cover Assembly	1
29		$\frac{5}{16}$ " UNF x $\frac{3}{4}$ " Long Bolts	8
30	WTD 280	Clutch Drive Plate	1
31		$\frac{5}{16}$ " UNF x $1\frac{1}{2}$ " Long Bolts	4
32	WTD 297	Flywheel	1
33	WTD 290	Washer Cross Shaft	
34	WTD 289	Clutch Release Lever	1
35	WTD 288	Nut Clutch Lever	1
36	WTD 287	Bolt Clutch Lever	1
37	WTD 284	Clutch Cross Shaft	1
38	WTD 285	Bush Clutch Cross Shaft	2
39	WT 108	Prop Shaft	1
40	WT 822	Repair Kit	2



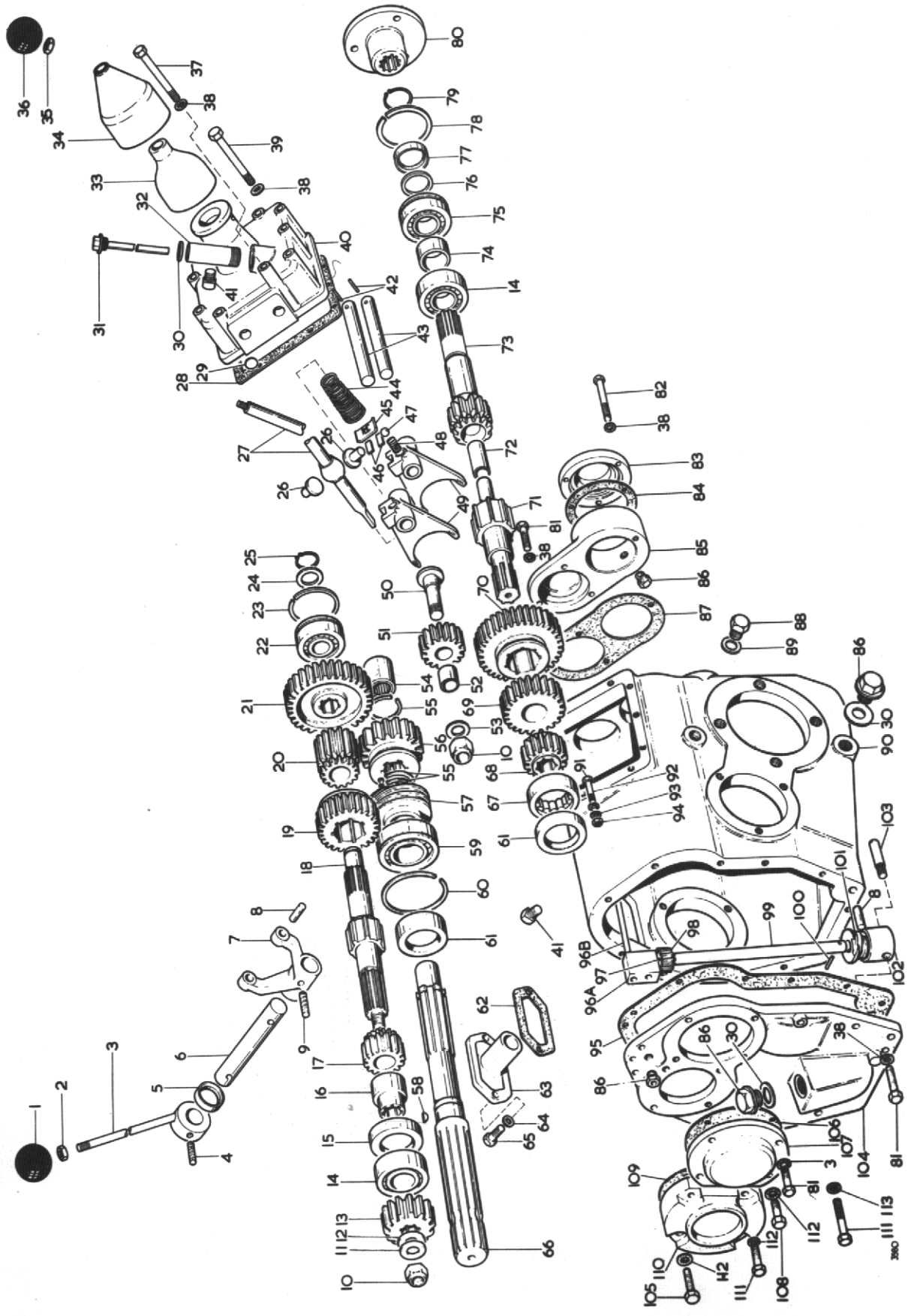
GEARBOX

<u>Item No.</u>	<u>Part No.</u>	<u>Description</u>	<u>No. Off</u>
1	WT 172/1	Control Knob	1
2		Locknut $\frac{3}{8}$ " UNF	1
3	WT 299	Operating Lever	1
4	WT 749	Spirol Pin	1
5	WT 407	Oil Seal	1
6	WT 729	P.T.O. Shift Shaft	1
7	WT 728	P.T.O. Shifter Fork	1
8	WT 730	P.T.O. Shift Pin	4
9	WT 750	Spirol Pin	1
10	WT 794	Nyloc Nut	2
11	WT 796	Washer - Layshaft	1
12	WT 795	Fibre Washer - Layshaft	1
13	WT 321	P.T.O. Pinion	1
14	WT 345	Ball Race	2
15	WT 357	Oil Seal - Layshaft	1
16	WT 324	Bearing Sleeve	1
17	WT 319	Reverse Pinion	1
18	WT 310	Layshaft	1
19	WT 318	2nd Speed Sliding Gear	1
20	WT 389	1st Speed Pinion	1
21	WT 314	Layshaft Wheel	1
22	WT 349	Ball Race	1
23	WT 350	Snap Ring	1
24	WT 333	Spacer - Layshaft	1
25	WT 415	Circlip - 17 mm External Type	1
26	WT 404	Gear Lever Pad	2
27	WT 366	Gear Lever	1
28	WT 370	Joint for WT 307	1
29	WT 744	Sealing Disc	4
30	WT 410	$\frac{1}{2}$ " BSP Washer	3
31	WT 380	Dipstick	1
32	WT 364	Filler Tube	1
33	WT 399	Gear Lever Cover	1
34	WT 406	Steel Cover	1
35	WT 432	Locknut (Thin)	1
36	WT 400	Knob - Gear Lever	1
37	WT 756	Hex Bolt	1
38	WT 436	Shakesproof Washer	23
39	WT 423	Hex. Bolt	8
40	WT 307	Top Cover	1
41	WT 398	Breather	2
42	WT 414	Spirol Pin	2
43	WT 363	Selector Shaft	2
44	WT 405	Gear Lever Spring	1
45	WT 402	Spring Plate	1
46	WT 365	Baulk Plate	1
47	WT 409	$\frac{3}{8}$ " Dia. Ball	2
48	WT 384	Selector Spring	2



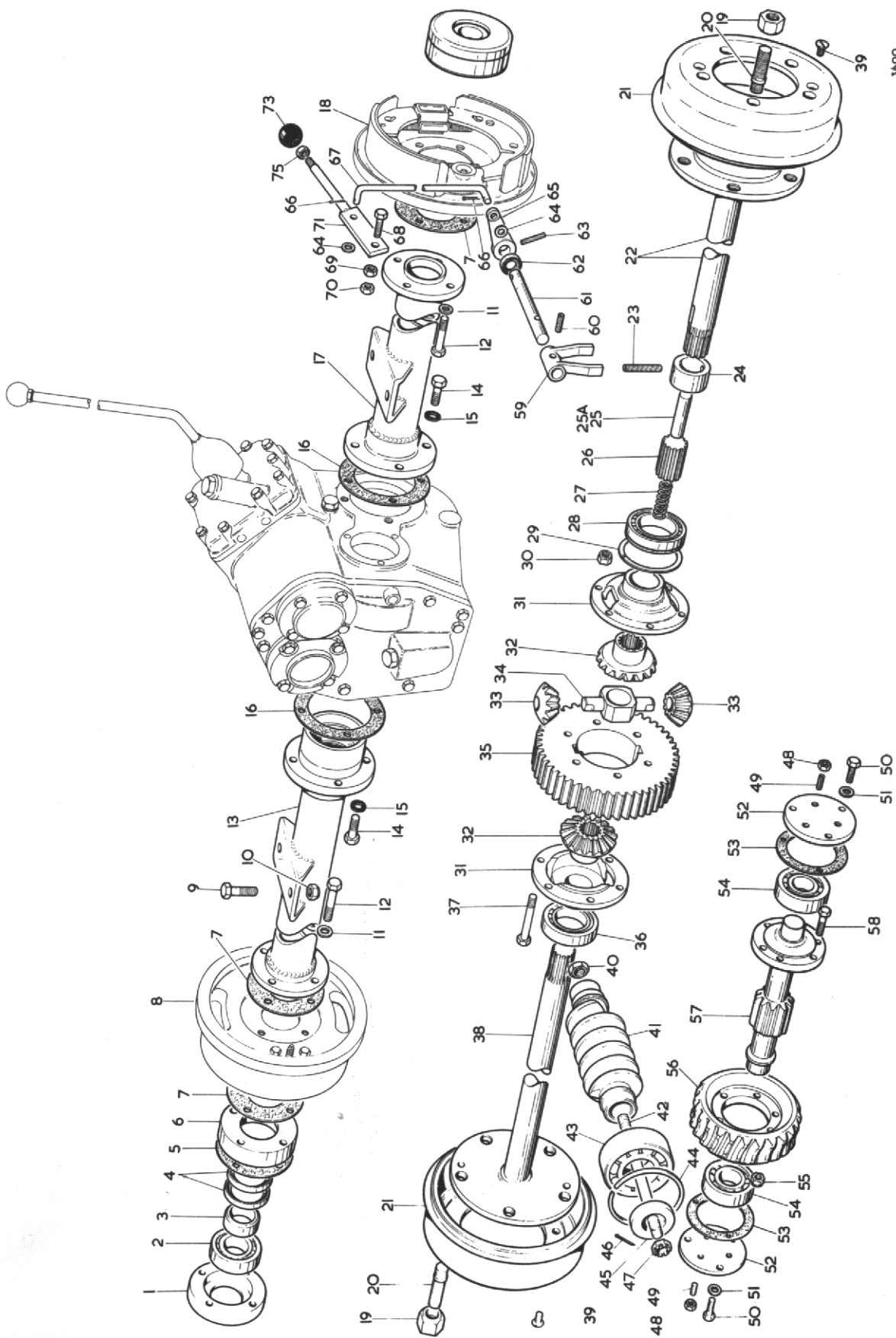
GEARBOX

<u>Item No.</u>	<u>Part No.</u>	<u>Description</u>	<u>No. Off</u>
49	WT 362	Selector Fork	2
50	WT 330	Reverse Idler Shaft	1
51	WT 320	Reverse Idler	1
52	WT 355	Wrapped Bush	1
53	WT 439	Plain Washer	1
54	WT 353	Needle Roller Bearing	1
55	WT 395	Circlip, 30 mm External	3
56	WT 727	P.T.O. Shift Gear	1
57	WT 738	Worm Gear	1
58	WT 748	Woodruff Key	1
59	WT 401	Ball Race	1
60	WT 403	Snap Ring	1
61	WT 358	Oil Seal (P.T.O. and Worm)	2
62	WT 720	P.T.O. Shift Cover Joint	1
63	WT 731	P.T.O. Shift Cover	1
64	WT 757	Shakeproof Washer	2
65	WT 426	Hex. Set Bolt	2
66	WT 312	P.T.O. Shaft	1
67	WT 344	Roller Race	1
68	WT 316	Reverse Wheel	1
69	WT 315	2nd Speed Wheel	1
70	WT 317	1st Speed Sliding Gear	1
71	WT 309	Mainshaft	1
72	WT 354	Wrapped Bush	1
73	WT 308	Primary Shaft	1
74	WT 335	Spacer - Primary Bearing	1
75	WT 346	Ball Race	1
76	WT 334	Spacer Primary Shaft	1
77	WT 356	Oil Seal - Input	1
78	WT 347	Snap Ring for WT 346	1
79	WT 412	Circlip $\frac{7}{8}$ " External	1
80	WT 332	Input Coupling	1
81	WT 419	Hex. Set Bolt	14
82	WT 424	Hex. Bolt	1
83	WT 306	End Cover - Input	1
84	WT 367	Joint for WT 306	1
85	WT 305	Input Cover	1
86	WT 408	$\frac{1}{2}$ " BSP Plug	3
87	WT 368	Joint for WT 305	1
88	WT 416	$\frac{1}{4}$ " BSP Plug	1
89	WT 417	Washer	1
90	WT 301	Axle Casing	1
91	WT 329	Bolt	1
92	WT 798	Seloc Washer	2
93	WT 758	Plain Washer	2
94	WT 797	Nyloc Nut	1
95	WT 369	Joint for WT 302	1
96	WT 740	Sub Assembly of Top Block and Delivery Tube	1



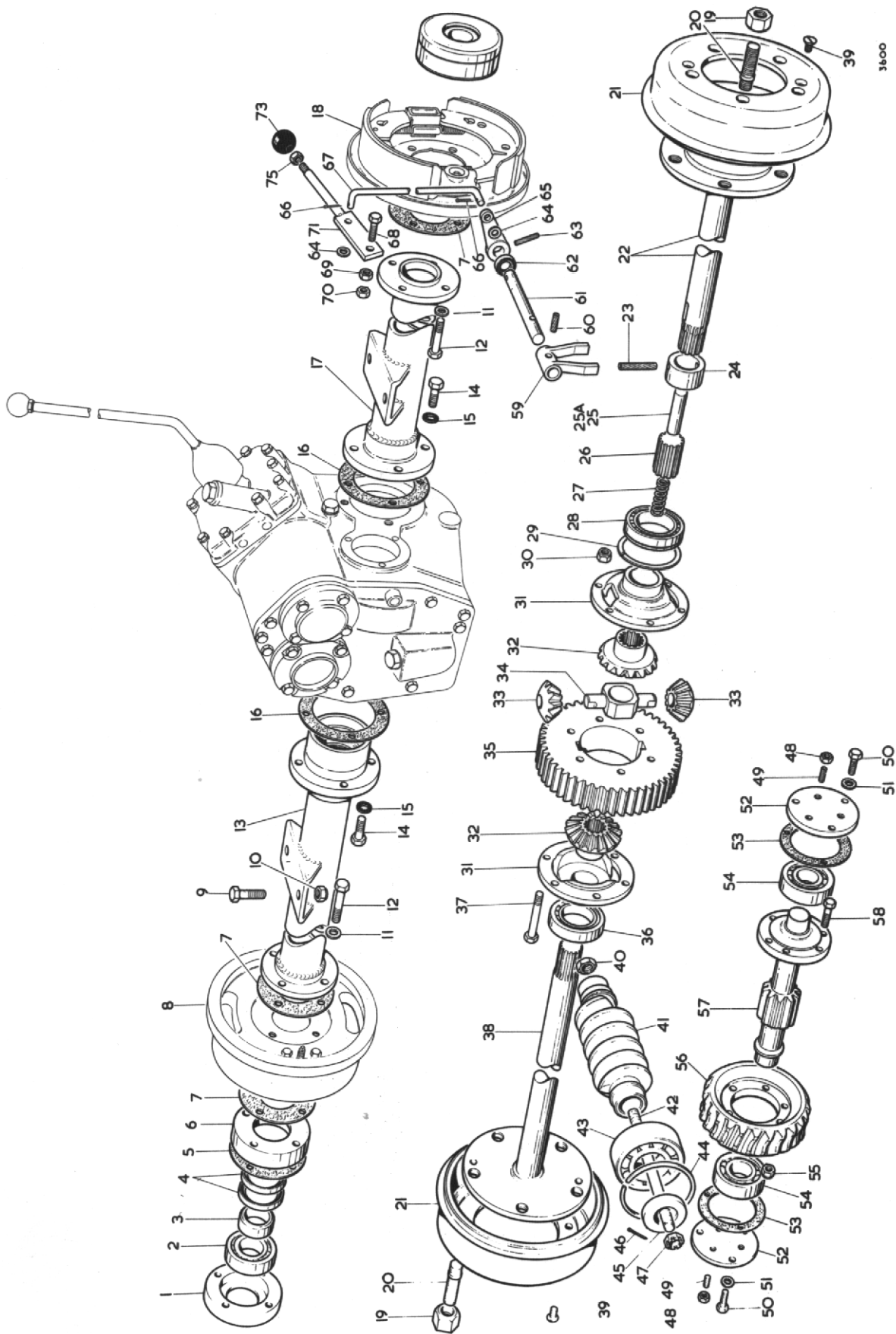
GEARBOX

<u>Item No.</u>	<u>Part No.</u>	<u>Description</u>	<u>No. Off</u>
96A	L 208	Top Block	1
96B	L 209	Delivery Tube	1
97	WT 752	Sel-Lock Pin	1
98	WT 737	Drive Pinion	1
99	WT 736	Pump Tube	1
100	WT 753	Sel-Lock Pin	1
101	WT 735	Pump Scroll	1
102	WT 734	Pump Body	1
103	WT 742	Stud	1
104	WT 302	Rear Cover	1
105	WT 422	Hex. Bolt	1
106	WT 372	Joint for WT 303	1
107	WT 303	End Cover - Worm	1
108	WT 421	Hex. Bolt	2
109	WT 371	Joint for WT 304	1
110	WT 304	P.T.O. End Cover	1
111	WT 420	Hex. Bolt	3
112	A 31	Seloc Washer	4
113	WT 754	Seloc Washer	4



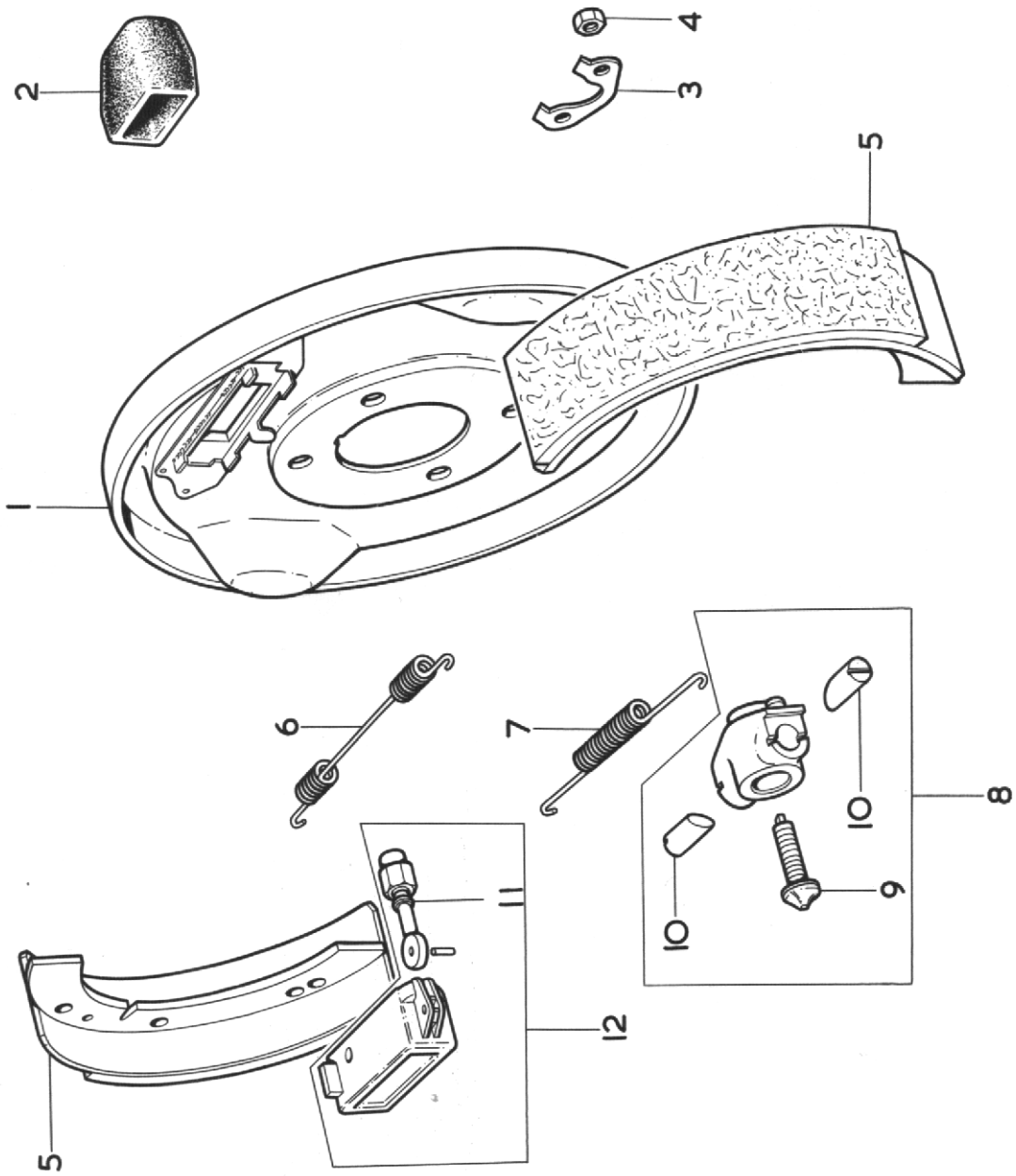
AXLE

<u>Item No.</u>	<u>Part No.</u>	<u>Description</u>	<u>No. Off</u>
1	WT 340	Bearing Housing	2
2	WT 348	Ball Race	2
3	WT 339	Locking Ring - Half Shaft	2
4	WT 359	Oil Seal - Axle	4
5	WT 375	Joint for WT 341	2
6	WT 341	Oil Seal Housing	2
7	WT 374	Joint for Brake Plates	4
8	WT 378	Brake Assembly L.H. (See Page 16)	1
9		1½" x ½" UNF High Tensile Bolt	4
10		½" Locknut	4
11	WT 437	Shakeproof Washer	8
12	WT 427	Hex. Bolt	8
13	WT 360	Half Tube - Nearside	1
14	WT 428	Hex. Set Bolt	8
15	WT 751	Seloc Washer	8
16	WT 373	Joint for WT 360/361	2
17	WT 361	Half Tube - Offside	1
18	WT 377	Brake Assembly R.H. (See Page 16)	1
19	WT 267	Wheel Nut (PN 3106)	10
20	WT 181	Wheel Stud	10
21	WT 331	Brake Drum	2
22	WT 326	Half Shaft - Offside	1
23	WT 418	Spirol Pin	1
24	WT 336	Operating Ring	1
25	WT 387	Push Pin (Used on Gearboxes up to Serial No. 328)	1
25A	WT 813	Push Pin (Used on Gearbox Serial No. 329 and Sub)	1
26	WT 388	Sliding Member	1
27	WT 393	Spring - Diff Lock	1
28	WT 391	Ball Race	1
29	WT 392	Snap Ring	1
30	WT 761	Nyloc Nut	6
31	WT 328	Diff Case (Half)	2
32	WT 382	Diff Side Gear	2
33	WT 383	Diff Pinion	2
34	WT 329	Spider	1
35	WT 327	Final Drive Wheel	1
36	WT 390	Ball Race	1
37	WT 425	Hex. Bolt	6
38	WT 325	Half Shaft - Near Side	1
39	WT 745	Screw - Countersunk Head	4
40	WT 432	Locknut (Thin)	1
41	WT 311	Worm	1
42	WT 733	Stud-Worm	1
43	WT 351	Ball Race	1
44	WT 352	Snap Ring	1
45	WT 732	Special Washer	1



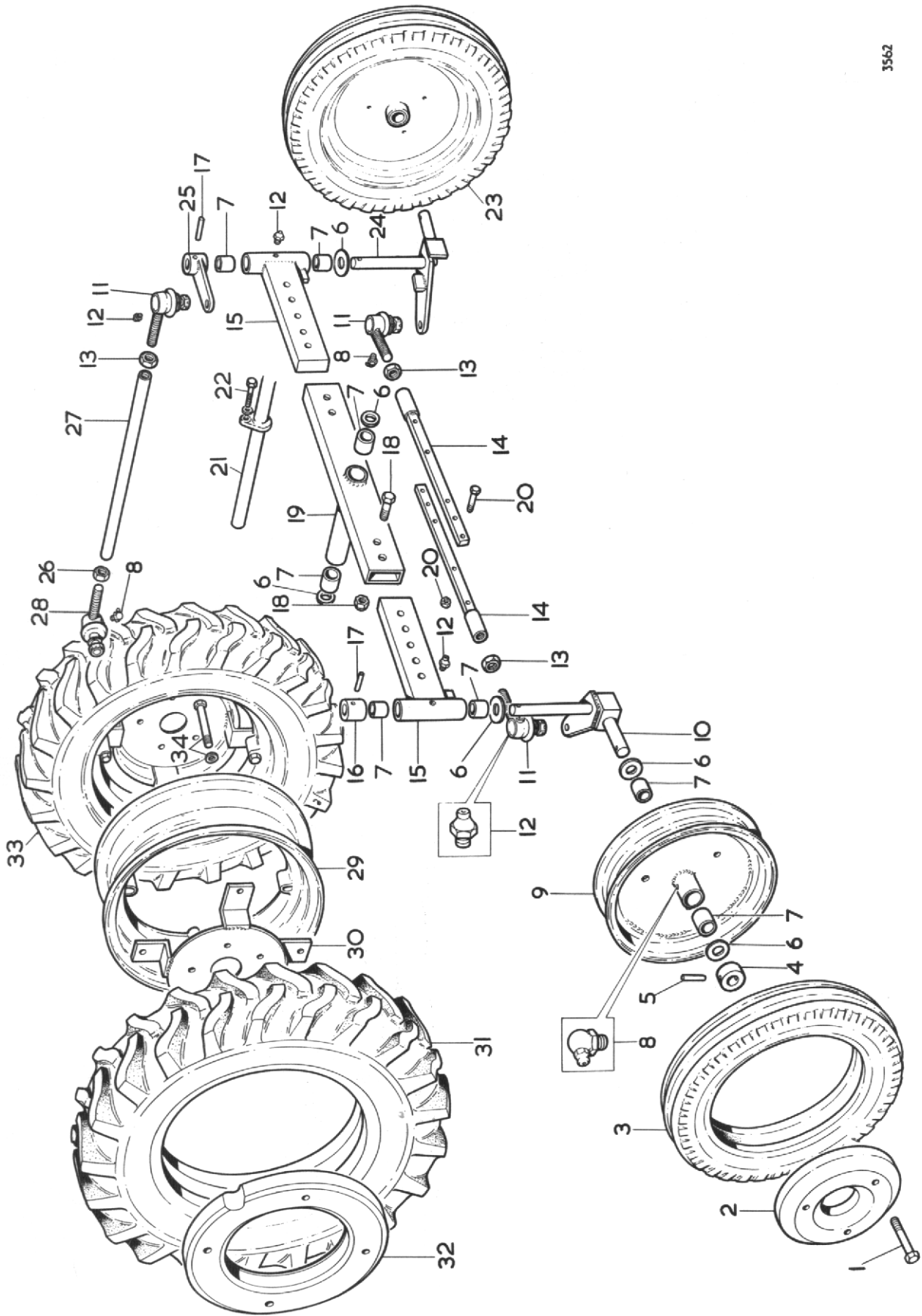
AXLE

<u>Item No.</u>	<u>Part No.</u>	<u>Description</u>	<u>No. Off</u>
46	WT 747	Split Pin	1
47	WT 431	Slotted Nut	1
48	WT 434	Locknut	6
49	WT 430	Socket Grub Screw	6
50	WT 419	Hex. Set Bolt	6
51	WT 436	Shakeproof Washer	6
52	WT 379	End Cover	2
53	WT 376	Joint - Output Shaft	2
54	WT 743	Bearing	2
55	WT 759	Nyloc Nut	6
56	WT 323	Worm Wheel	1
57	WT 313	Output Shaft	1
58	WT 755	Bolt	6
59	WT 385	Diff Lock Fork	1
60	WT 413	Spirol Pin	1
61	WT 342	Diff Lock Shaft	1
62	WT 407	Oil Seal	1
63	WT 414	Spirol Pin	1
64		5/16" Plain Washer	2
65	WT 386	Diff Lock Lever	1
66		Split Pin	2
67	WT 614	Control Rod - Diff Lock	1
68		$\frac{3}{8}$ " UNF Hex. Bolt	1
69		Locknut $\frac{3}{8}$ " UNF	1
70		Nut $\frac{3}{8}$ " UNF	1
71	WT 218	Control, Lever - Diff Lock	1
72		$\frac{3}{8}$ " UNF Locknut	1
73	WT 172/1	Control Knob	1



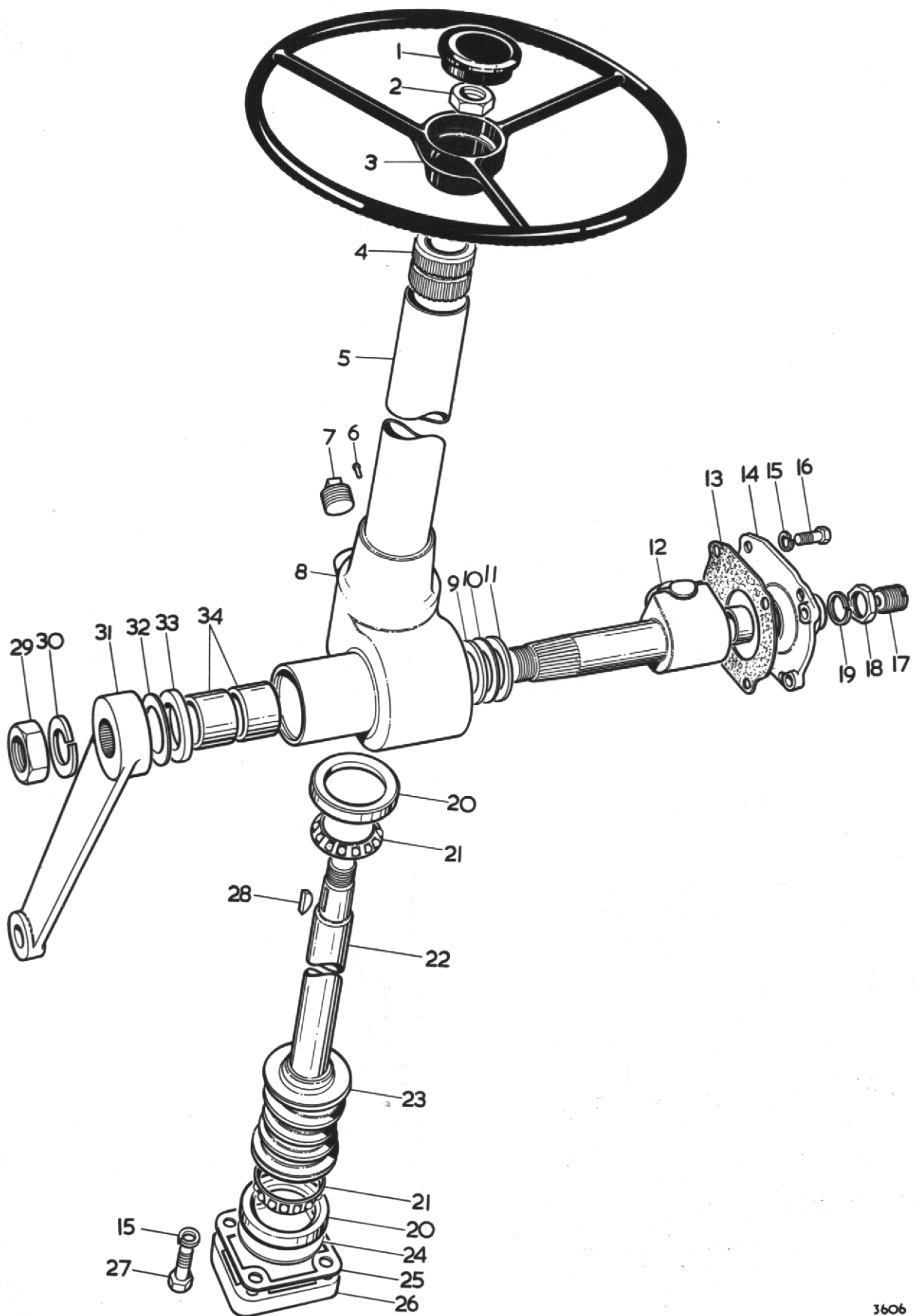
BRAKES

<u>Item No.</u>	<u>Part No.</u>	<u>Description</u>	<u>No. Off</u>
1	WT 534	Backplate R.H.	1
1A	WT 535	Backplate L.H.	1
2	WT 537	Boot	2
3	WT 541	Locking Tab	2
4	WT 539	Nut	4
5	WT 540	Brake Shoes	4
6	WT 536	Spring Expander End	2
7	WT 538	Spring Adjuster End	2
8	WT 542	Adjuster Assembly	2
9	WT 766	Adjuster Screw	2
10	WT 767	Tappet	4
11	WT 544	Pull Rod and Pin	2
12	WT 543	Expander Assembly	2



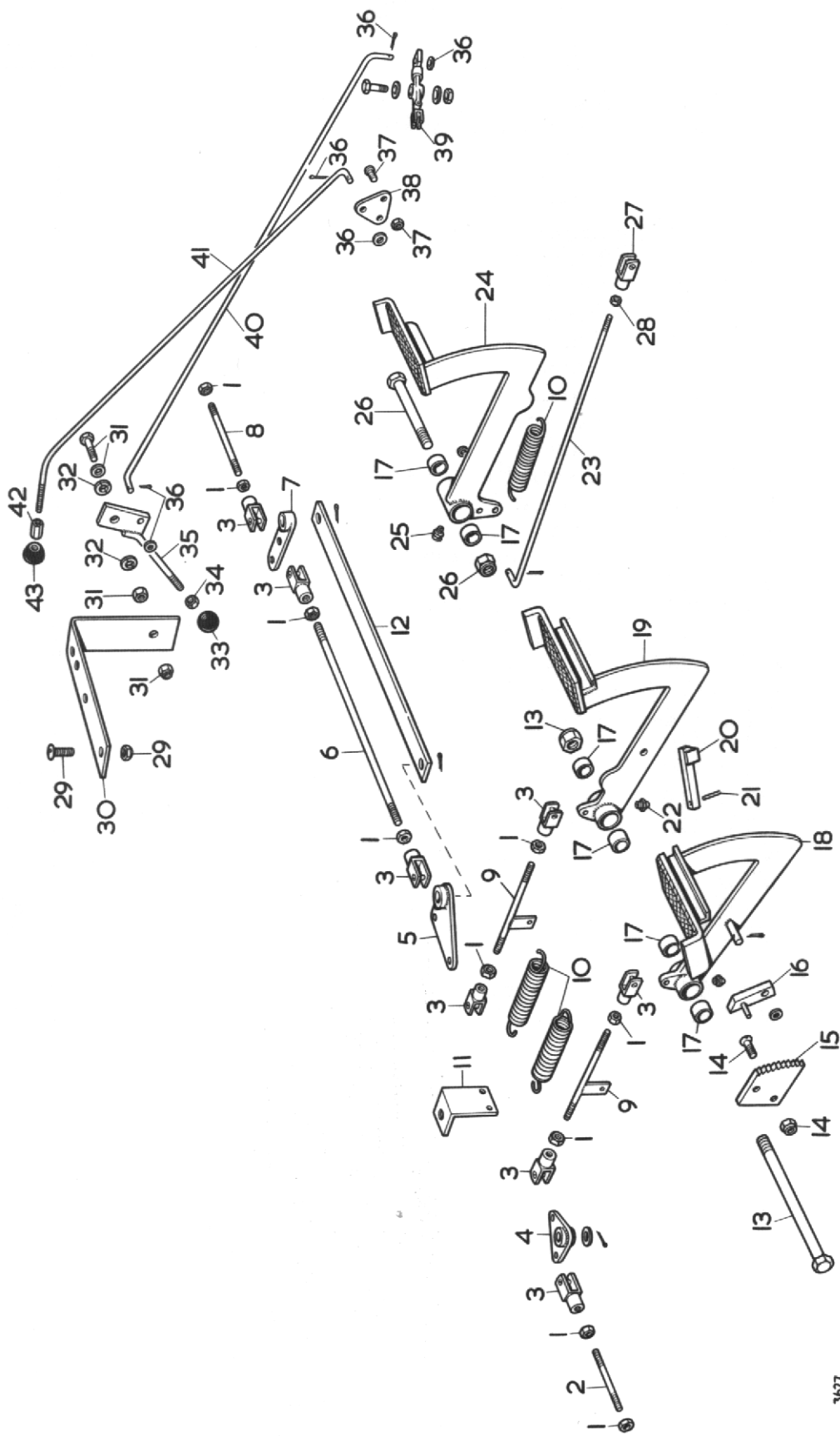
STEERING AXLE & WHEELS

<u>Item No.</u>	<u>Part No.</u>	<u>Description</u>	<u>No. Off</u>
1		$\frac{1}{2}$ " UNF x 3" Long Bolt and Nut	6
2	WT 154	Wheel Weight	2
3	WT 609	Tyre	2
3A	WT 610	Tube	2
4	WT 151	Wheel Retaining Cap	2
5	WT 238-4	Retaining Pin	2
6	WT 209	Thrust Washer	8
7	WT 126	Bearing Bush	10
8	WT 546	Grease Nipple	4
9	WT 171	Wheel	2
10	WT 161 RH	Stub Axle Assembly	1
11	WT 602	Steering Rod Ball End	3
12	WT 547	Grease Nipple	4
* 13		Nut $\frac{3}{4}$ " UNF	3
14	WT 160	Track Rod Half	2
15	WT 136	Steering Axle End	2
16	WT 148	Stub Axle Collar	1
17	WT 238-2	Retaining Pin	2
18		$\frac{5}{8}$ " UNF x 2" Long Bolt and Nut	4
19	WT 146	Front Axle Assembly	1
20		$\frac{3}{8}$ " UNF x 2" Long Bolt and Nut	2
21	WT 234	Axle Pivot Pin	1
22		$\frac{5}{16}$ " UNF x $\frac{3}{8}$ " Long Bolt	1
23	WT 764	Front Wheel Complete	2
24	WT 161 LH	Stub Axle Assembly	1
25	WT 157	Steering Lever	1
* 26		Nut $\frac{3}{4}$ " UNF	1
27	WT 159	Drag Link	1
28	WT 603	Steering Rod Ball End	1
29	WT 169	Wheel Rim	2
30	WT 168	Wheel Centre	2
31	WT 607	Drive Tyre	2
31A	WT 608	Tube	2
32	WT 166	Wheel Weight	2
33	WT 765	Rim Complete With Tyre and Tube	2
34		$\frac{1}{2}$ " UNF x 6" Long Bolt and Nut	8



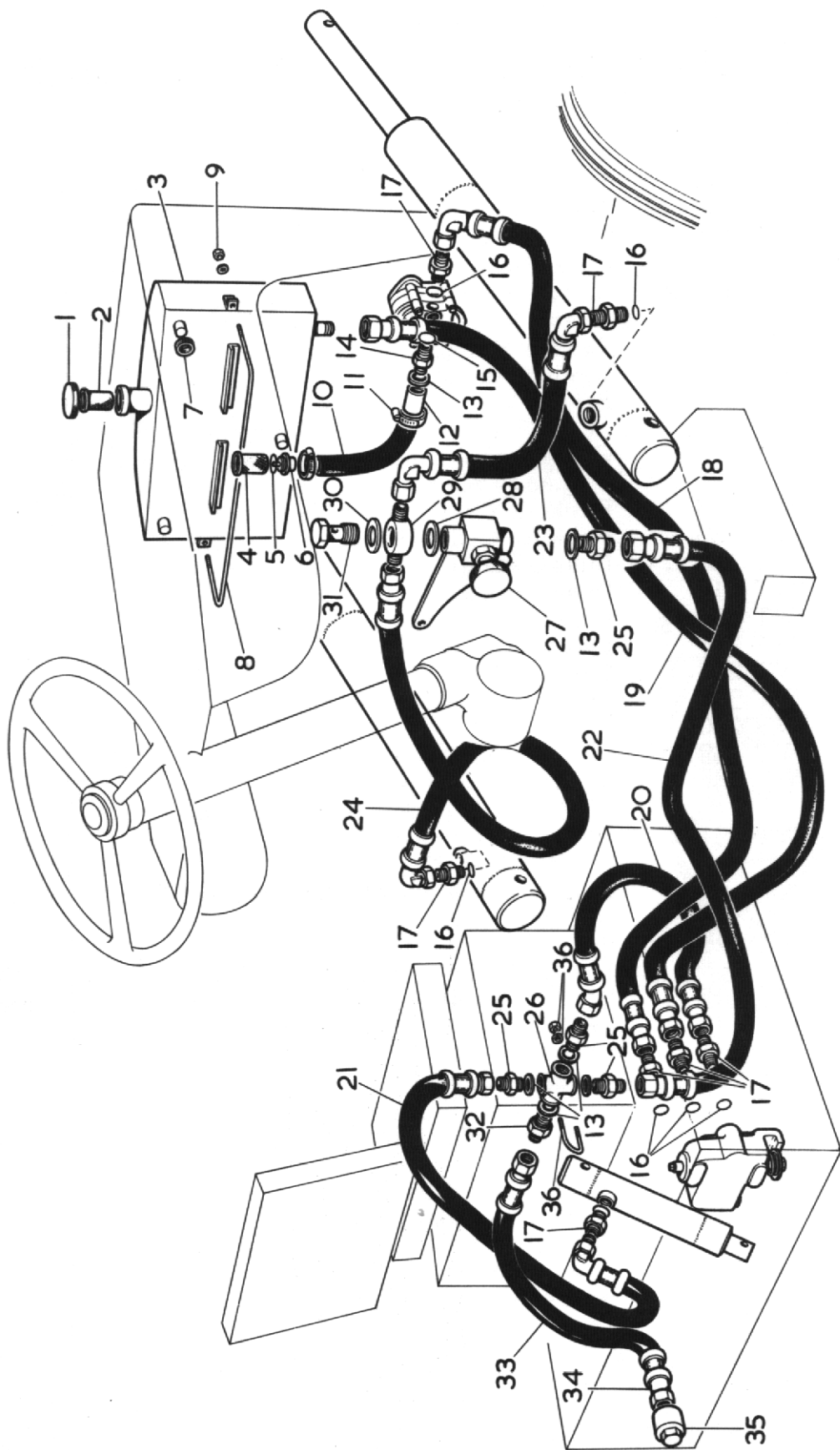
STEERING GEAR

<u>Item No.</u>	<u>Part No.</u>	<u>Description</u>	<u>No. Off</u>
	WT 195	Steering Gear Complete	1
1	WTD 502	Steering Wheel Cap	1
2		Nut $\frac{1}{2}$ " UNF	1
3	WTD 501	Steering Wheel	1
4	WTD 522	Bush - Top Column	1
5	WT 520	Outer Tube	1
6	WT 531	Pin	1
7	WTD 529	Oil Plug	1
8	WTD 517	Steering Box	1
9	WTD 504	Thrust Washer	1
10	WTD 512	Shim	A/R
11	WTD 503	Thrust Washer	1
12	WTD 523	Rocker Shaft	1
13	WTD 511	Gasket	1
14	WTD 518	Cover Plate and Bush	1
15	WTD 524	Spring Washer	8
16	WTD 525	Bolt	4
17	WTD 508	Adjuster Screw	1
18	WTD 509	Nut	1
19	WTD 528	Spring Washer	1
20	WTD 515	Outer Race	2
21	WTD 521	Cage and Balls	2
22	WT 505	Inner Shaft	1
23	WTD 514	Cam	1
24	WTD 516	Washer	1
25	WTD 510	Shim	A/R
26	WTD 519	Bottom Cap	1
27	WTD 526	Bolt	4
28	WTD 500	Woodruff Key	1
29	WTD 530	Nut	1
30	WTD 527	Spring Washer	1
31	WT 694	Drop Arm	1
32	WT 506	Plug	1
33	WT 507	Oil Seal	1
34	WTD 513	Bush	2



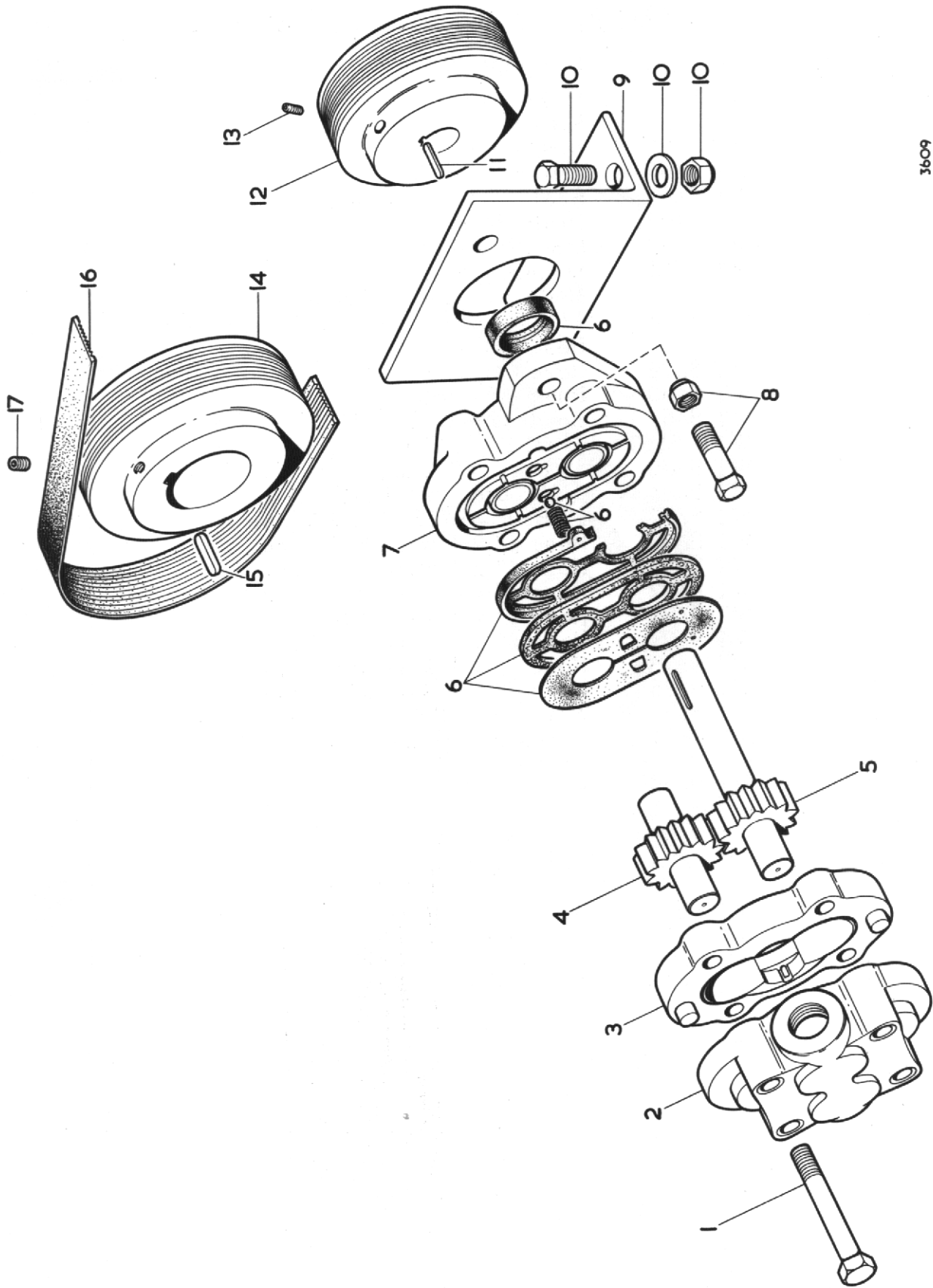
CONTROLS

<u>Item No.</u>	<u>Part No.</u>	<u>Description</u>	<u>No. Off</u>
1		5/16" UNF Nut	10
2	WT 201-1	Rod, Link Plate to Drum R.H.	1
3	WT 551-1	5/16" UNF Clevis Assembly	8
4	WT 240	Link Plate Assembly R.H.	1
5	WT 239	Link Plate Assembly	1
6	WT 210-4	Brake Rod	1
7	WT 241	Link Plate Assembly L.H.	1
8	WT 201-2	Rod, Link Plate to Drum L.H.	1
9	WT 246	Brake Rod - Pedal to Link Plate	2
10	WT 236	Return Spring	3
11	WT 245	Spring Anchor	1
12	WT 244	Strap	1
13		$\frac{5}{8}$ " UNF x 7" Long Bolt and Nut	1
14		Countersunk Screws and Nuts $1\frac{1}{2}$ " x 2" Long (Socket)	2
15	WT 143	Parking Brake Quadrant	1
16	WT 165	Parking Brake Pawl	1
17	WT 137-4	Bush, Pedal	6
18	WT 215	Brake Pedal R.H.	1
19	WT 137	Brake Pedal L.H.	1
20	WT 216	Latch, Brake Pedal	1
21	WT 238-1	Tension Pin	1
22	WT 547	Grease Nipple (Straight)	2
23	WT 230	Clutch Rod	1
24	WT 139	Clutch Pedal	1
25	WT 546	Grease Nipple 90°	1
26		$\frac{5}{8}$ " UNF x 6" Long Bolt and Nut	1
27	WT 551-2	Clevis Assembly $\frac{3}{8}$ " UNF	1
28		$\frac{3}{8}$ " UNF Nut	1
29		$\frac{3}{8}$ " UNF x 1" Long Mushroom Head Bolt and Nut	4
30	WT 228	Bracket, Throttle Control	1
31		$\frac{3}{8}$ " UNF x $1\frac{1}{2}$ " Long Bolt and Nut	1
32	WT 605	Belville Washer	2
33	WT 172-1	Knob	1
34		$\frac{3}{8}$ " UNF Nut	1
35	WT 217	Throttle Lever	1
36		Washer and Split Pin ($\frac{1}{4}$ ")	3
37		Mushroom Head Bolt and Nut 2BA x $\frac{1}{2}$ " Long	2
38	WT 249	Plate, Stop Control	1
39	WT 432	Lever, Engine Throttle	1
40	WT 571	Throttle Rod	1
41	WT 572	Rod - Stop Control	1
42	WT 251	Barrel Nut	1
43	WT 172-2	Knob	1



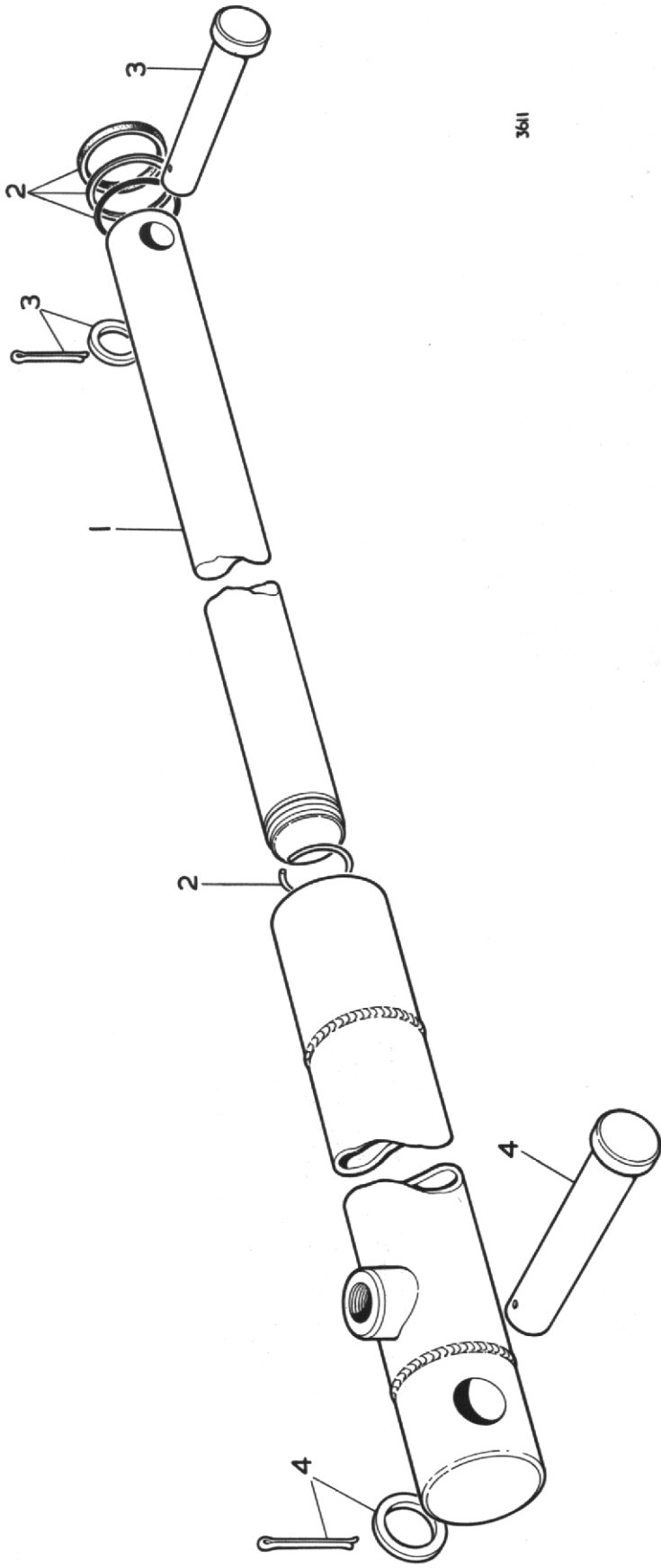
HYDRAULIC HOSE & FITTINGS SERIES III

<u>Item No.</u>	<u>Part No.</u>	<u>Description</u>	<u>No. Off</u>
1	WT 8464	Filler Cap	1
2	WT 8465	Strainer	1
3	WT 8175	Hydraulic Tank	1
4	WT 8466	Filter	1
5	WT 8467	Seal	1
6	WT 8199	Drain Plug	1
7	WT 8468	Mounting Buffer	3
8	WTD 8469	Mounting Rod	1
9		$\frac{1}{2}$ " UNF Mounting Rod Nuts	2
10	WT 8478	$\frac{3}{4}$ " x 2 Cotton Braid 24" Long Suction Hose	1
11	WT 8479	Hose Clips	2
12	WT 8480	Pump Adaptor	1
13	WT 8467	Bonded Seal	6
14	WTD 8483	$\frac{3}{8}$ " BSP - $\frac{3}{4}$ " JIC Adaptor	1
15	WT 8485	$\frac{3}{4}$ " Dia. "O" Ring	1
16	WT 8484	9/16" Dia. "O" Ring	7
17	WT 8482	$\frac{3}{8}$ " BSP - 9/16" JIC Adaptor	7
18	WT 8470	Hose " x 1 Wire 63" Long	1
19	WT 8471	Hose " x 1 Wire 76" Long	1
20	WT 8472	Hose " x 1 Wire 25" Long	1
21	WT 8473	Hose " x 1 Wire 19 $\frac{1}{2}$ " Long	1
22	WT 9474	Hose " x 1 Wire 43" Long	1
23	WT 9475	Hose " x 1 Wire 16 $\frac{1}{2}$ " Long	1
24	WT 9476	Hose " x 1 Wire 27" Long	1
25	WT 8481	Adaptor $\frac{3}{8}$ " BSP - $\frac{3}{8}$ " BSP	1
26	WT 8487	Cross Connector	1
27	WT 9497	Shut-Off Valve	1
28	WT 9496	Washer	1
29	WT 9493	Banjo	1
30	WT 9495	Washer	1
31	WT 9494	Banjo Bolt	1
32	WTD 8762	$\frac{3}{8}$ " BSP - $\frac{1}{2}$ " BSP Adaptor	1
33	WTD 8477	Hose $\frac{1}{2}$ " x 1 Wire	1
34	WT 8498	Coupling	1
35	WT 8499	Dust Cap	1
36	WT 8488	"U" Bolt and Nuts	1



HYDRAULIC PUMP AND DRIVE

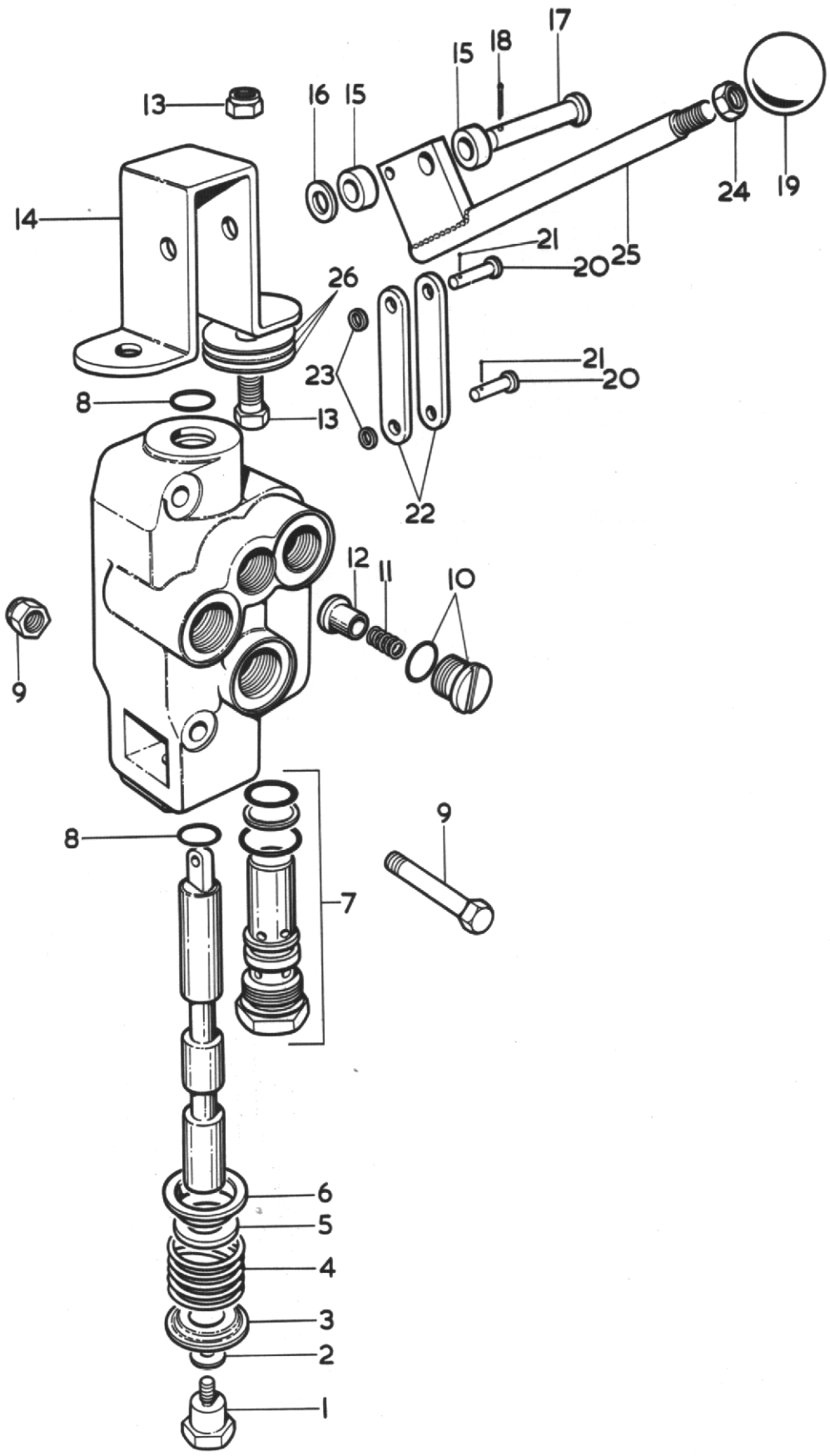
<u>Item No.</u>	<u>Part No.</u>	<u>Description</u>	<u>No. Off</u>
	WT 8440	Pump Assembly	1
1	WT 8445	Capscrew	4
2	WT 8446	Back Plate Assembly	1
3	WT 8447	Body and Dowel Assembly	1
4	WT 8444	Idler Gear Assembly	1
5	WT 8443	Drive Gear Assembly	1
6	WT 8448	Seal Repair Kit	1
7	WT 8441	Front Plate Assembly	1
8		Bolt and Nut. Pump to Bracket $1\frac{1}{4}" \times \frac{3}{8}"$ UNF	2
9	WT 8193	Pump Mounting Bracket	1
10		Bolt and Nut. Bracket to Chassis $1\frac{1}{4}" \times \frac{3}{8}"$ UNF	2
11	WT 8442	Key. Pump Pulley	1
12	WT 8133	Pump Pulley	1
13	WT 8583	Allen Screw. Pump Pulley	1
14	WT 8132	Engine Pulley	1
15	WT 8260	Key. Engine Pulley	1
16	WT 8259	Multi-V Belt	1
17	WT 8584	Allen Screw, Pump Pulley	1



3611

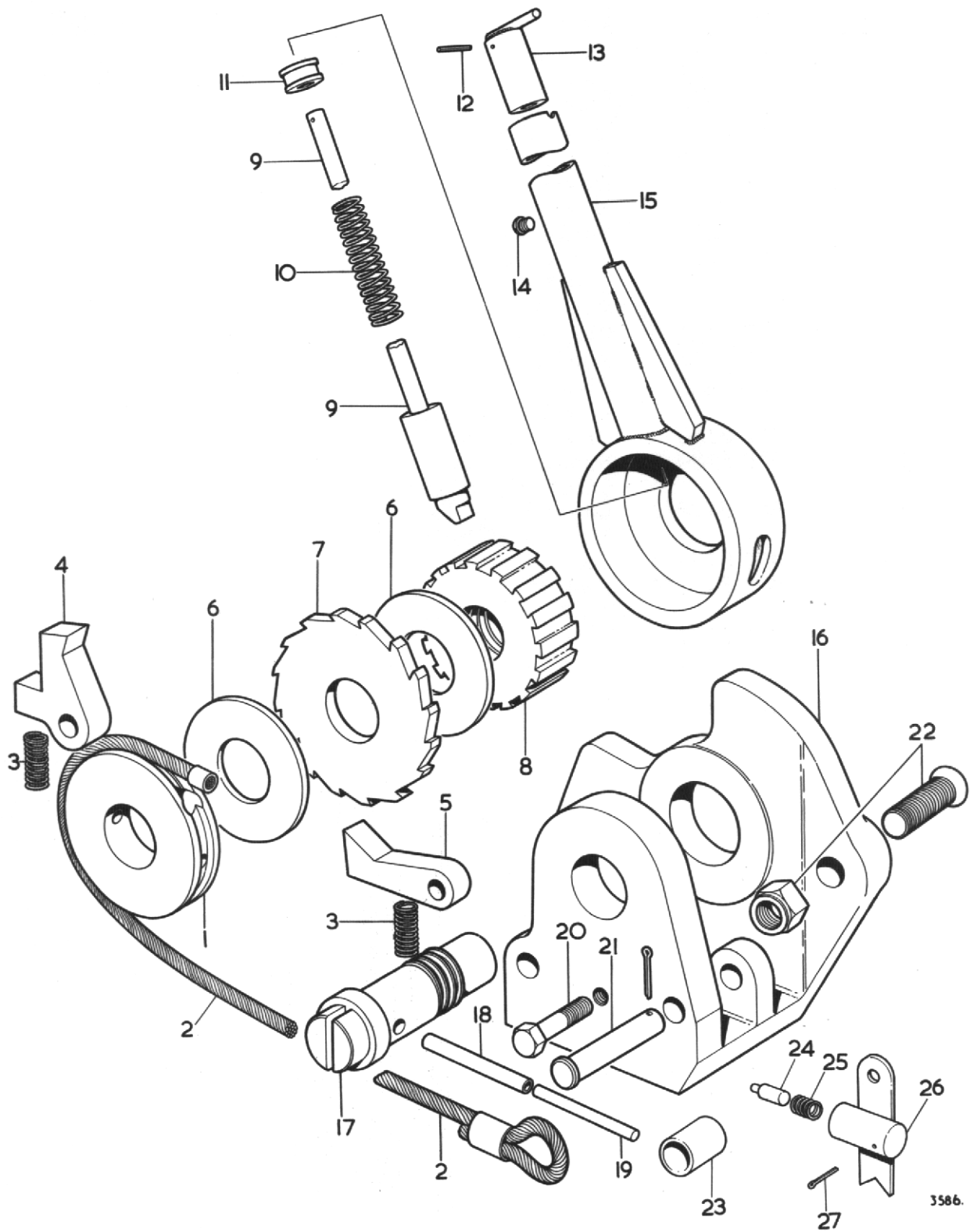
HYDRAULIC CYLINDERS

<u>Item No.</u>	<u>Part No.</u>	<u>Description</u>	<u>No. Off</u>
<u>Tool Lift Cylinder Fitted Up to Machine No. 200</u>			
	WT 8461	Cylinder Complete	1
1	WT 8462	Piston Rod	1
2	WT 8463	Seal Repair Kit	1
3	WT 8178-9	Upper Mounting Pin	1
4	WT 8178-11	Lower Mounting Pin	1
<u>Tool Lift Cylinder Fitted From Machine No. 201</u>			
	WT 8701	Cylinder Complete	1
1	WT 8768	Piston Rod	1
2	WT 8769	Seal Repair Kit	1
3	WT 8178/13	Upper Mounting Pin	1
4	WT 8178-11	Lower Mounting Pin	1
<u>Front End Loader Cylinder</u>			
	WT 9490	Cylinder Complete	2
1	WT 9491	Piston Rod	2
2	WT 9492	Seal Repair Kit	2
3	WT 9178-3	Upper Mounting Pin	2
4	WT 9178-13	Lower Mounting Pin	2



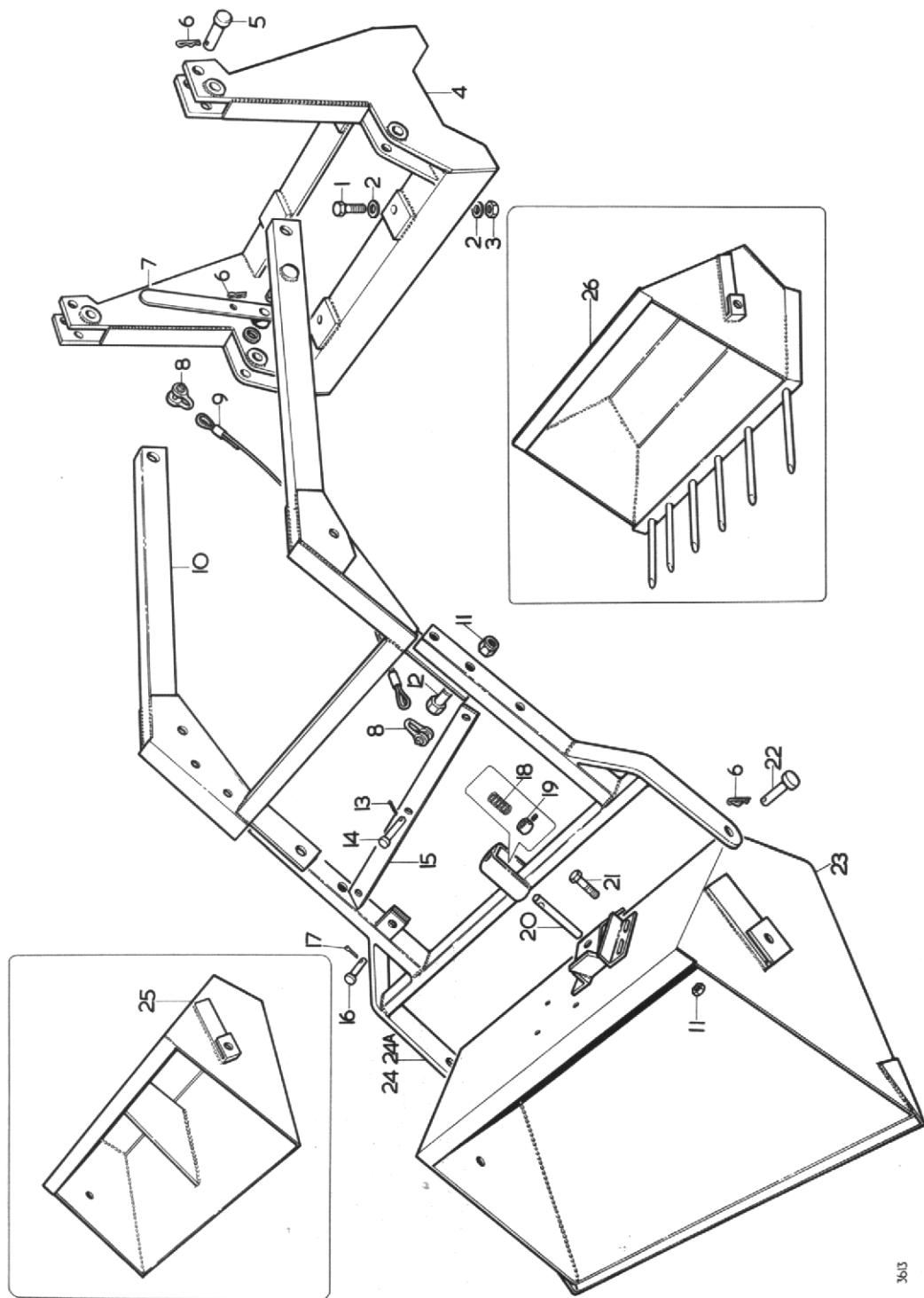
VALVE & LEVER ASSEMBLY

<u>Item No.</u>	<u>Part No.</u>	<u>Description</u>	<u>No. Off</u>
	WT 8449	Control Valve Complete	1
1	WT 8457	Screw Spool	1
2	WT 8459	Washer Spool	1
3	WT 8451	Washer Shallow	1
4	WT 8456	Spring Spool Centre	1
5	WT 8458	Washer Spool	1
6	WT 8452	Washer Deep	1
7	WT 8450	Relief Valve	1
8	WT 8460	Seal Repair Kit	1
9		5/16" x 2 $\frac{1}{2}$ " Long Mounting Bolt and Nut UNF	2
10	WT 8455	Plug Assembly (With Seal)	1
11	WT 8454	Spring Lift Check	1
12	WT 8453	Plunger Lift Check	1
13		$\frac{3}{8}$ " x 1 $\frac{1}{4}$ " Long Bolt and Nut UNF	2
14	WT 8180	Bracket, Control Lever	1
15	WT 8189/2	Spacer	2
16		5/16" Flat Washer	1
17	WT 8178/4	Lever Pivot Pin	1
18		3/64" x $\frac{1}{2}$ " Split Pin	1
19	WT 8172/1	Control Knob	1
20	WT 8178/5	Link Pin	2
21		3/32" x $\frac{5}{8}$ " Split Pin	2
22	WT 8181	Link	2
23		3/16" Flat Washer	2
24		$\frac{3}{8}$ " UNF Locknut	1
25	WT 8233	Control Lever	1
26		Washer	A/R



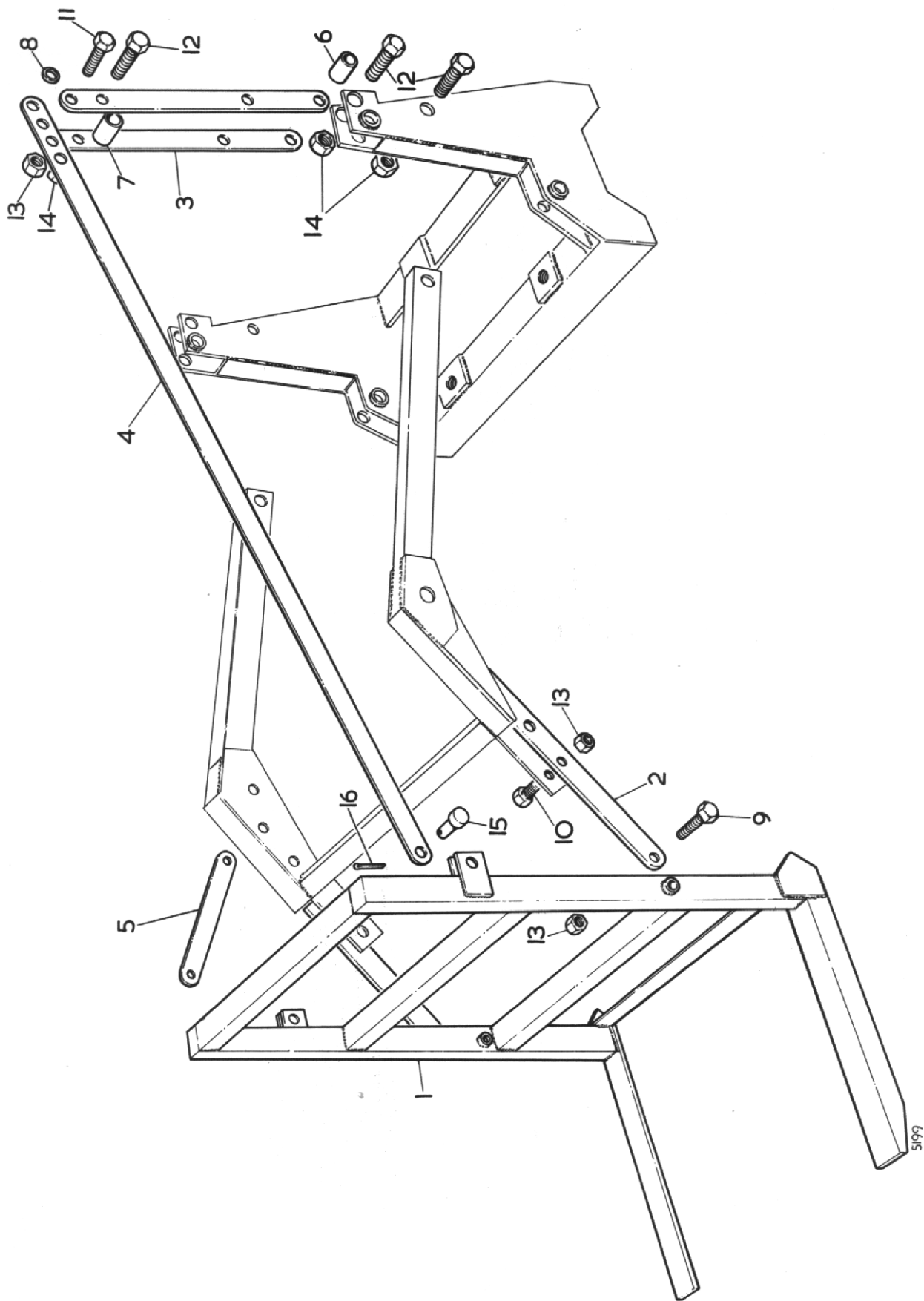
MANUAL LIFT UNIT WT 7227

<u>Item No.</u>	<u>Part No.</u>	<u>Description</u>	<u>No. Off</u>
1	WT 7117	Pulley	1
2	WT 7164	Cable	1
3	WT 7227-2	$\frac{3}{8}$ " o.d. x $1\frac{1}{4}$ " Long x 20 SWG Compression Spring	2
4	WT 7129	Pawl	1
5	WT 7123	Pawl	1
6	WT 7131	Friction Disc	2
7	WT 7128	Ratchet Wheel	1
8	WT 7118	Screwed Ratchet	1
9	WT 7243	Control Rod and Pawl	1
10	WT 7115-3	$7/16$ " x $2\frac{3}{8}$ " Long x 17 SWG Spring	1
11	WT 7121	Stop for Pawl Spring	1
12	WT 7238-5	$3/32$ " Dia. x $\frac{3}{4}$ " Long Tension Pin	1
13	WT 7124	Pawl Control Lever	1
14		2BA x $\frac{1}{2}$ " Long Round Head Screw	1
15	WT 7242	Hand Lever	1
16	WT 7229	Trunnion	1
17	WT 7119	Screwed Shaft	1
18	WT 7238-4	$5/16$ " Dia. x $2\frac{1}{2}$ " Long Tension Pin	1
19	WT 7238-3	$3/16$ " Dia. x $2\frac{1}{2}$ " Long Tension Pin	1
20		$5/16$ " UNF x 1" Long Bolt	1
21	WT 7178-6	Pin	2
22		Mounting Bolt $\frac{1}{2}$ " UNF x 2" Long	2
23	WT 7235	Spacer	1
24	WT 7715	Plunger Complete	1
25	WT 7714	Spring	1
26	WT 7716	Bracket Plunger Mounting	1
27		$3/16$ " Dia. Split Pin	1



FRONT END LOADER

<u>Item No.</u>	<u>Part No.</u>	<u>Description</u>	<u>No. Off</u>
1		$\frac{5}{8}$ " UNF x $1\frac{3}{4}$ " Hex. Bolt	4
2		$\frac{5}{8}$ " Dia. Flat Washer	8
3		$\frac{5}{8}$ " UNF Self Locknut	4
4	WT 9102	Loader Attachment Frame	1
5	WT 9178-13	Pin	2
6	WT 9266	Round Spring Cotter	5
7	WT 9628	Lever - Bucket Control	1
8	WT 9563	Shackle	2
9	WT 9272	Control Wire - Bucket Release	1
10	WT 9184	Boom - Loader	1
11		$\frac{3}{8}$ " UNF Hex. Self Locknut	8
12		$\frac{3}{8}$ " UNF x $2\frac{1}{2}$ " Long Hex. Bolt	4
13		$1/16$ " Dia. x $\frac{5}{8}$ " Long. Split Pin	1
14	WT 9178-4	Clevis Pin	1
15	WT 9271	Plunger Release Arm	1
16	WT 9178/7	Pin	1
17		$\frac{1}{8}$ " Dia. x $\frac{3}{4}$ " Long. Split Pin	1
18	WT 9273-1	Spring	1
19	WT 9564	Collar and Grub Screw	1
20	WT 9270	Pin - Plunger	1
21	WT 9550	Bracket	1
22		$\frac{3}{8}$ " UNF x 1" Hex. Bolt	4
23	WT 9178/1	$\frac{1}{4}$ " Dia. Pin	2
24	WT 9549	Bucket (4 cu. ft.)	1
25	WT 9268	Boom Arms - Standard	1
25A	WT 9596	Boom Arms - (9 cu. ft.) Bucket Only	1
26	WT 9593	Bucket (9 cu. ft.)	1
27	WT 9598	Manure Fork	1
28	WT 9804	Fork	6
29		Nut $\frac{3}{4}$ " BSW	6



FRONT PARALLEL PALLET LIFT

<u>Item No.</u>	<u>Part No.</u>	<u>Description</u>	<u>No. Off</u>
1	Y 507	Lift Frame	1
2	Y 502	Boom Attachment Arm	2
3	Y 501	Tie Bar Anchor Arm	4
4	Y 509	Tie Bar (Long) Parallel Lift	2
5	Y 508	Tie Bar (Short) Rigid Lift	2
6	Y 503	Spacing Tube 1. $\frac{7}{8}$ " long	2
7	Y 504	Spacing Tube 2 $\frac{1}{4}$ " long	2
8	WT 206	Spacer	4
9		$\frac{1}{2}$ " UNF x 3. $\frac{1}{4}$ " Long Bolt	2
10		$\frac{1}{2}$ " UNF x 1 $\frac{1}{2}$ " Long Bolt	4
11		$\frac{1}{2}$ " UNF x 3 $\frac{1}{2}$ " Long Bolt	2
12		$\frac{3}{8}$ " UNF x 3 $\frac{1}{2}$ " Long Bolt	6
13		Selflocknut $\frac{1}{2}$ " UNF	8
14		Selflocknut $\frac{3}{8}$ " UNF	6
15	WT 178	Clevis Pin	2
16		1/16" x 1" Split Pin	2

CALIFORNIA

Proposition 65 Warning

Diesel engine exhaust and some of its constituents are known to the State of California to cause cancer, birth defects, and other reproductive harm