

# **WINGET**

## **SPARE PARTS MANUAL**

### **WINGET 550 DIESEL TRACTOR**

**REPRINTED JULY 2002**

**WINGET LIMITED  
PO BOX 41  
EDGEFOLD INDUSTRIAL ESTATE  
PLODDER LANE  
BOLTON  
LANCS  
BL4 OLS  
TEL: ++ 44 (0) 1204 854650  
FAX: ++ 44 (0) 1204 854663  
service@winget.co.uk  
parts@winget.co.uk  
winget.co.uk**

## **INTRODUCTION**

This Parts Manual is a re-print of the original manual last published some years ago and has been re-printed in response to requests from enthusiasts who continue to run examples of the Winget 550 and Series 1,2 or 3 of the Model 42 Tractors.

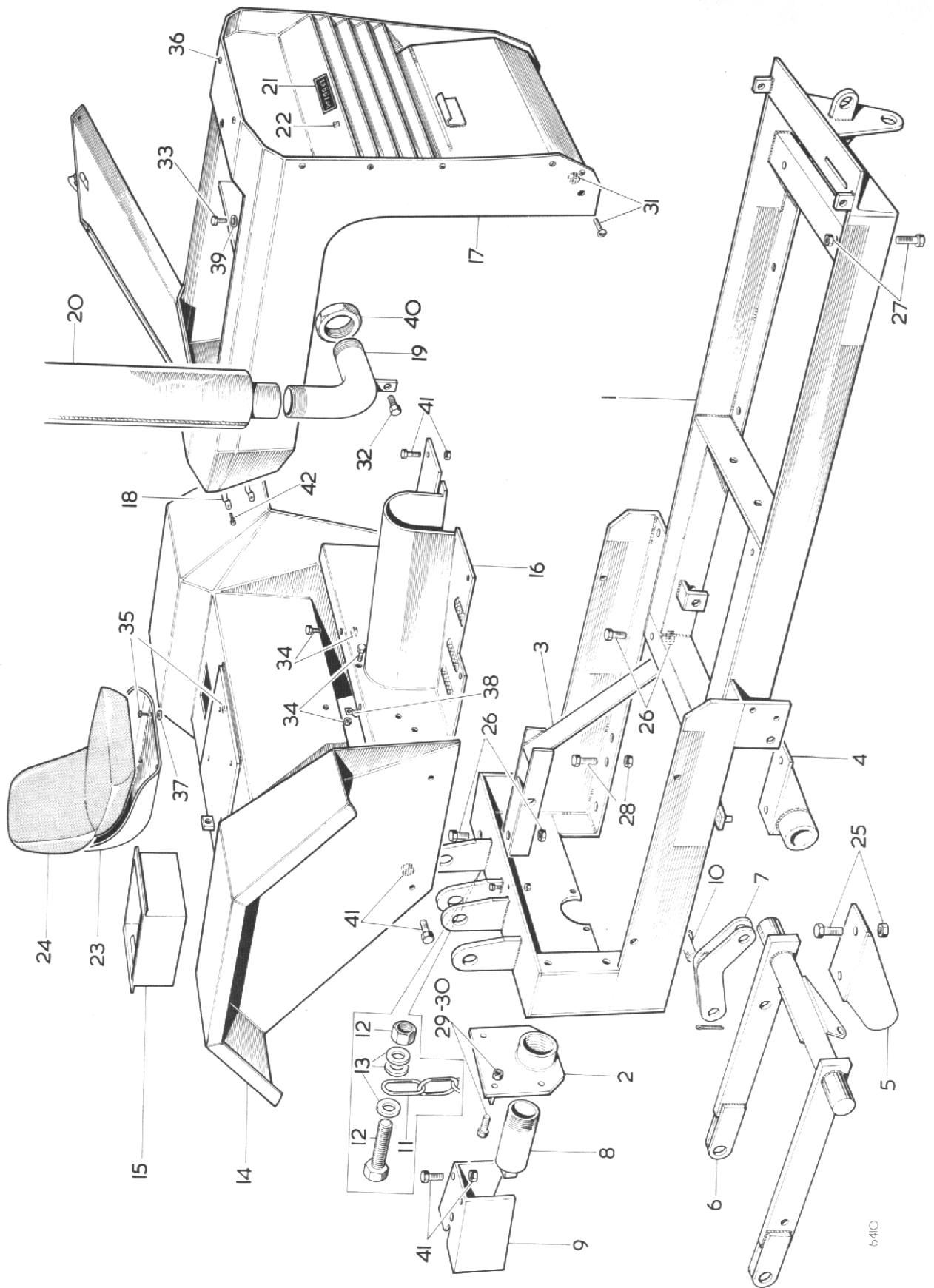
The fact that a particular part number is listed on the following pages does not necessarily indicate that the component is still available.

Reference is made on a number of pages to 'bolt c/w nut and washer', this no longer the case, fixings such as nuts, bolts, screws and washers should be ordered as individual items. A number of Whitworth and B.S.F fixings are now no longer available, in these cases the nearest metric equivalent size will be supplied.

The contents of this manual although believed correct at the time of publication, may be subject to alteration by the manufacturers without notice and Winget Limited can accept no responsibility for any errors or omissions contained within the following pages. Nor can we accept any liability whatsoever arising from the use of this manual howsoever caused.

**WINGET LIMITED**  
**PO BOX 41**  
**EDGEFOLD INDUSTRIAL ESTATE**  
**PLODDER LANE**  
**BOLTON**  
**LANCS**  
**BL4 OLS**  
**TEL ++ 44 (0) 1204 854650**  
**FAX ++ 44 (0) 1204 854663**  
**E mail [service@winget.co.uk](mailto:service@winget.co.uk)**  
**[parts@winget.co.uk](mailto:parts@winget.co.uk)**  
**[www.winget.co.uk](http://www.winget.co.uk)**

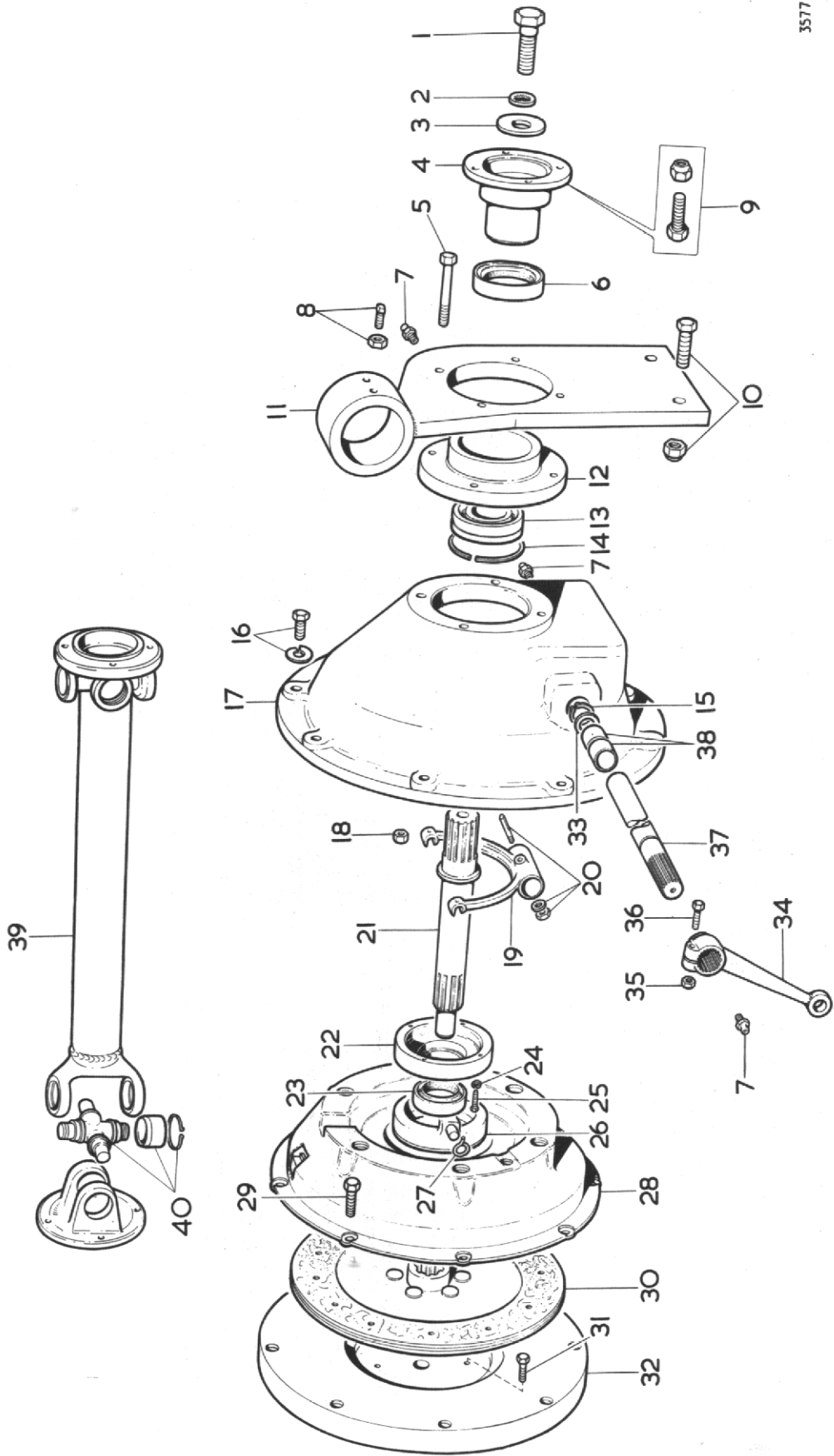




640

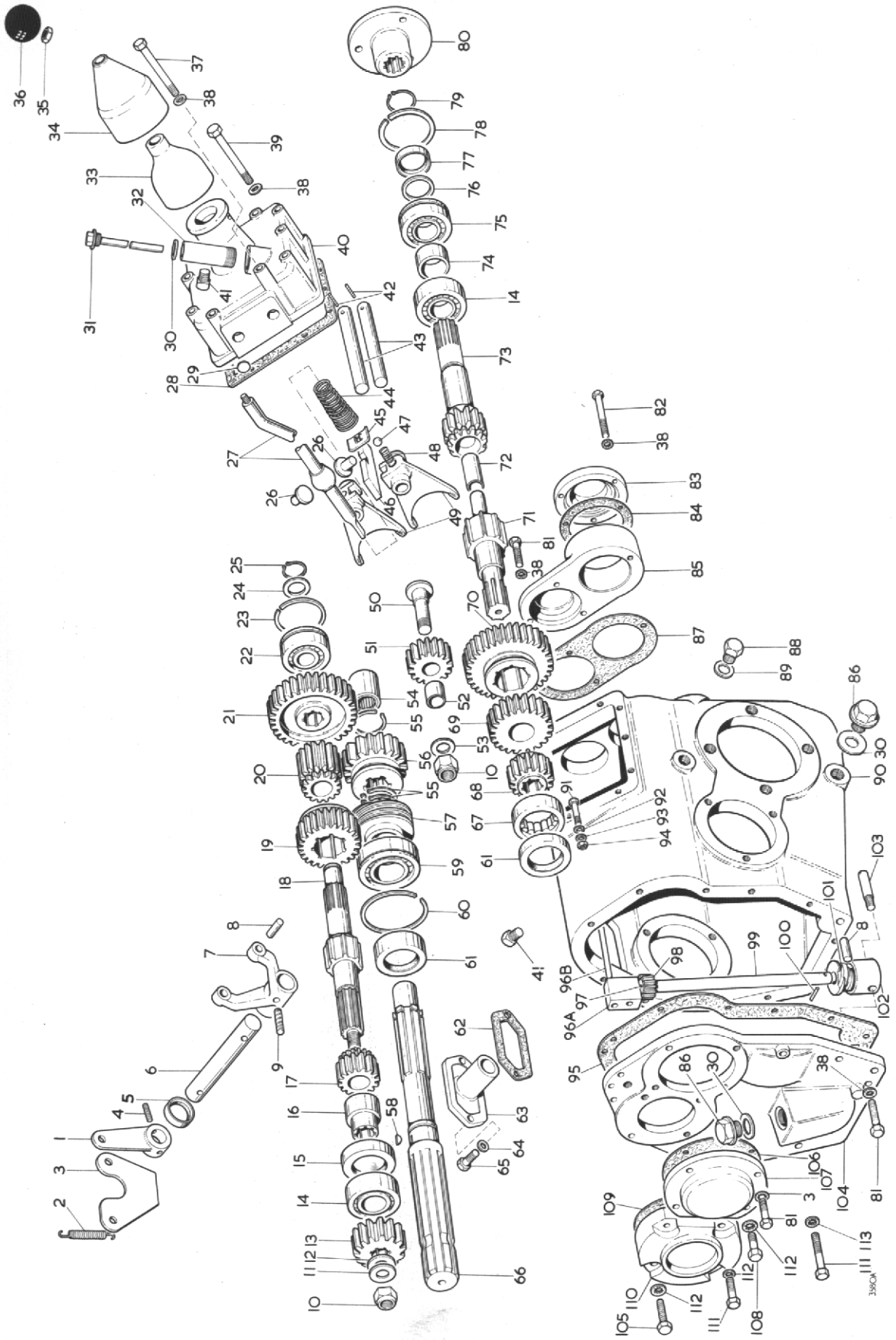
## CHASSIS, WING & BONNET

<i>Item No.</i>	<i>Part No.</i>	<i>Description</i>	<i>No. Off</i>
1	WT.910	Chassis	1
2	WT.208	Gearbox Locating Plate	1
3	WT.708	Cylinder Mounting Bracket	1
4	WT.187 LH	Cross Shaft Bracket Left Hand	1
5	WT.187 RH	Cross Shaft Bracket Right Hand	1
6	WT.823	Tool Lift Assembly	1
7	WT.705	Cylinder Link	1
8	WT.211	P. T. O. Cover	1
9	WT.226	P. T. O. Guard	1
10	WT.178-11	Link Pin	1
11	WT.562	Check Chain	1
12		$\frac{1}{2}$ " UNF Bolt x $2\frac{1}{2}$ " and Nut	1
13	WT.558	Washer	3
14	WT.911	Wing Assembly	1
15	WT.921	Tool Box	1
16	WT.908	Tunnel and Floor Assembly	1
17	WT.909	Bonnet	1
18	WT.907	Clip	2
19	WT.971	Exhaust Pipe	1
20	WT.606	Silencer	1
21	WT.177	Name Plate	1
22	WT.580	Name Plate Fastener	2
23	WT.948	Seat	1
24	WT.949	Upholstery	1
25		$\frac{5}{8}$ " UNF Bolt x $1\frac{1}{2}$ " and Nut	4
26		$\frac{1}{2}$ " UNF Bolt x $1\frac{1}{4}$ " and Nut	2
27		$\frac{1}{2}$ " UNF Bolt x 2" and Nut	2
28		$\frac{1}{2}$ " UNF Bolt x $1\frac{1}{2}$ " and Nut	4
29		$\frac{3}{8}$ " UNF Bolt x $1\frac{1}{4}$ "	3
30		$\frac{3}{8}$ " UNF Bolt x 1"	1
31		$\frac{3}{8}$ " Mushroom Head Bolt x 1" and Nut	2
32		$\frac{3}{8}$ " UNC x $\frac{3}{4}$ " Bolt	1
33		5/16" UNF x 1" Bolt	1
34		$\frac{1}{4}$ " UNF x $\frac{1}{2}$ " Bolt and Nut	3
35		$\frac{1}{4}$ " UNF x 1" Mushroom Head Bolt and Nut	4
36		5/16" UNF x $\frac{3}{8}$ " Mushroom Head Bolt and Nut	12
37	WT.976	Washer	4
38	WT.975	Clip	1
39	WT.977	Washer	1
40		Back Nut $1\frac{1}{4}$ " B. S. P.	1
41		$\frac{3}{8}$ " UNF x 1" Bolt and Nut	10
42		$\frac{1}{4}$ " UNF x $\frac{3}{4}$ " Bolt and Nut	4



## DRIVE UNIT

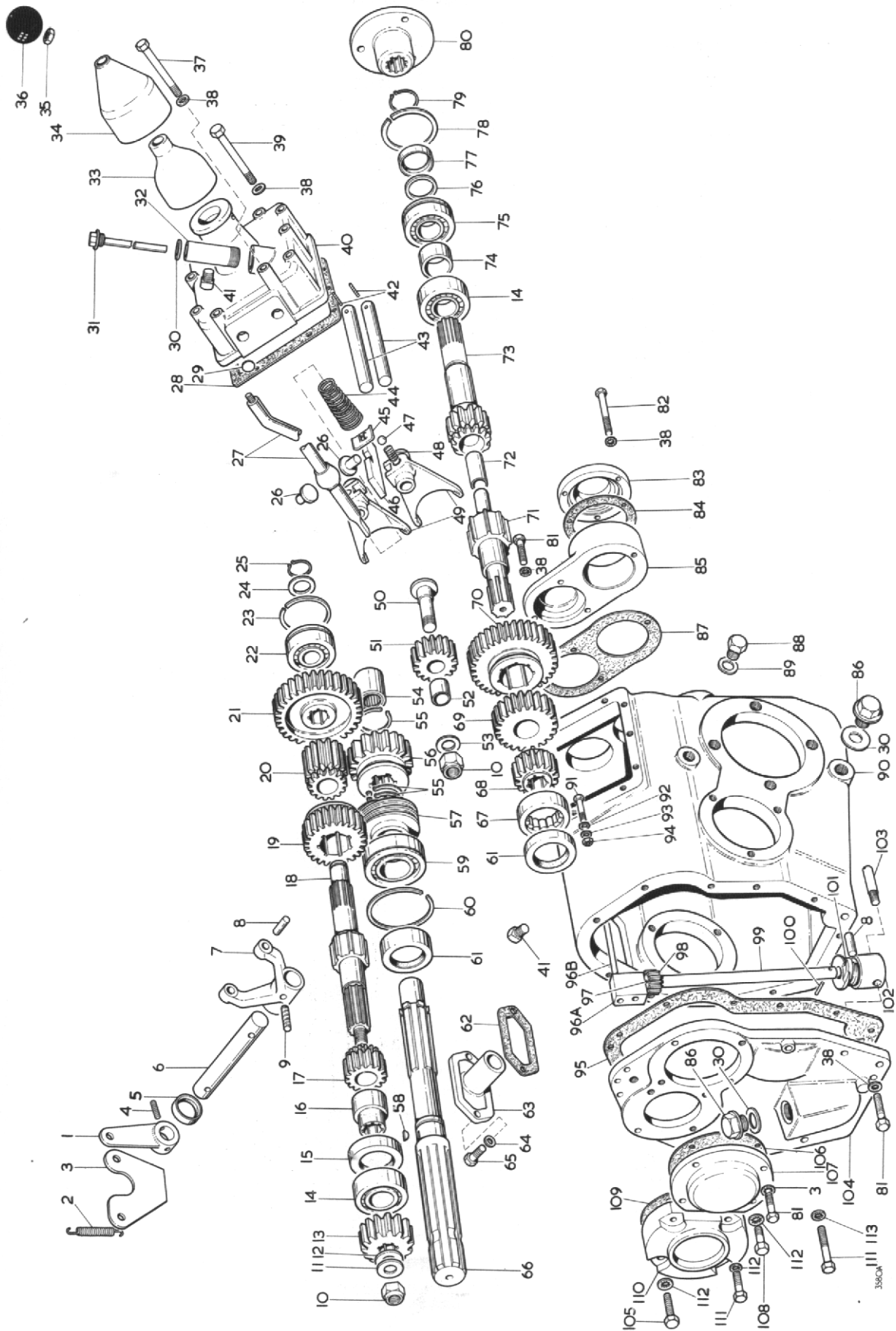
<i>Item No.</i>	<i>Part No.</i>	<i>Description</i>	<i>No. Off</i>
1	WTD.294	Screw	1
2		Lockwasher	1
3	WTD.293	Flat Washer	1
4	WT.281	Companion Flange	1
5		$\frac{3}{8}$ " UNF x $2\frac{1}{4}$ " Long Bolt Bearing Housing	4
6	WT.282	Oil Seal	1
7	WTD.411	Grease Nipple	3
8		7/16" Whit Screw and Locknut	2
9		5/16" UNF x 1" Long Bolt and Nut	4
10		$\frac{1}{2}$ " UNF x 2" Long Bolt and Nut	2
11	WT.109	Rear Bearer and Steering Box Bracket	1
12	WT.103	Bearing Housing	1
13	WTD.401	Input Bearing	1
14	WT.403	Snap Ring	1
15	WTD.286	Circlip	1
16		$\frac{3}{8}$ " UNF x 1" Long Bolt	8
17	WTD.283	Clutch Housing	1
18		$\frac{3}{8}$ " UNF Nut	8
19	WTD.291	Clutch Release Fork	1
20	WTD.292	Cotter, Nut and Washer	1
21	WT.104	Clutch Drive Shaft	1
22	WTD.295	Front Cover	1
23	WTD.296	Oil Seal Input	1
24		Lockwasher	4
25		$\frac{1}{4}$ " UNF x 1" Long Bolt	4
26	WTD.278	Clutch Release Bearing	1
27	WTD.277	Spring Retainer	2
28	WT.834	Clutch Cover Assembly	1
29		5/16" UNF x $\frac{3}{4}$ " Long Bolt	8
30	WTD.280	Clutch Drive Plate	1
31		5/16" UNF x $1\frac{1}{4}$ " Long Bolt	4
32	WTD.297	Flywheel	1
33	WTD.290	Washer Cross Shaft	
34	WTD.289	Clutch Release Lever	1
35	WTD.288	Nut Clutch Lever	1
36	WTD.287	Bolt Clutch Lever	1
37	WTD.284	Clutch Cross Shaft	1
38	WTD.285	Bush Clutch Cross Shaft	2
39	WT.108	Prop Shaft	1
40	WT.822	Repair Kit	2





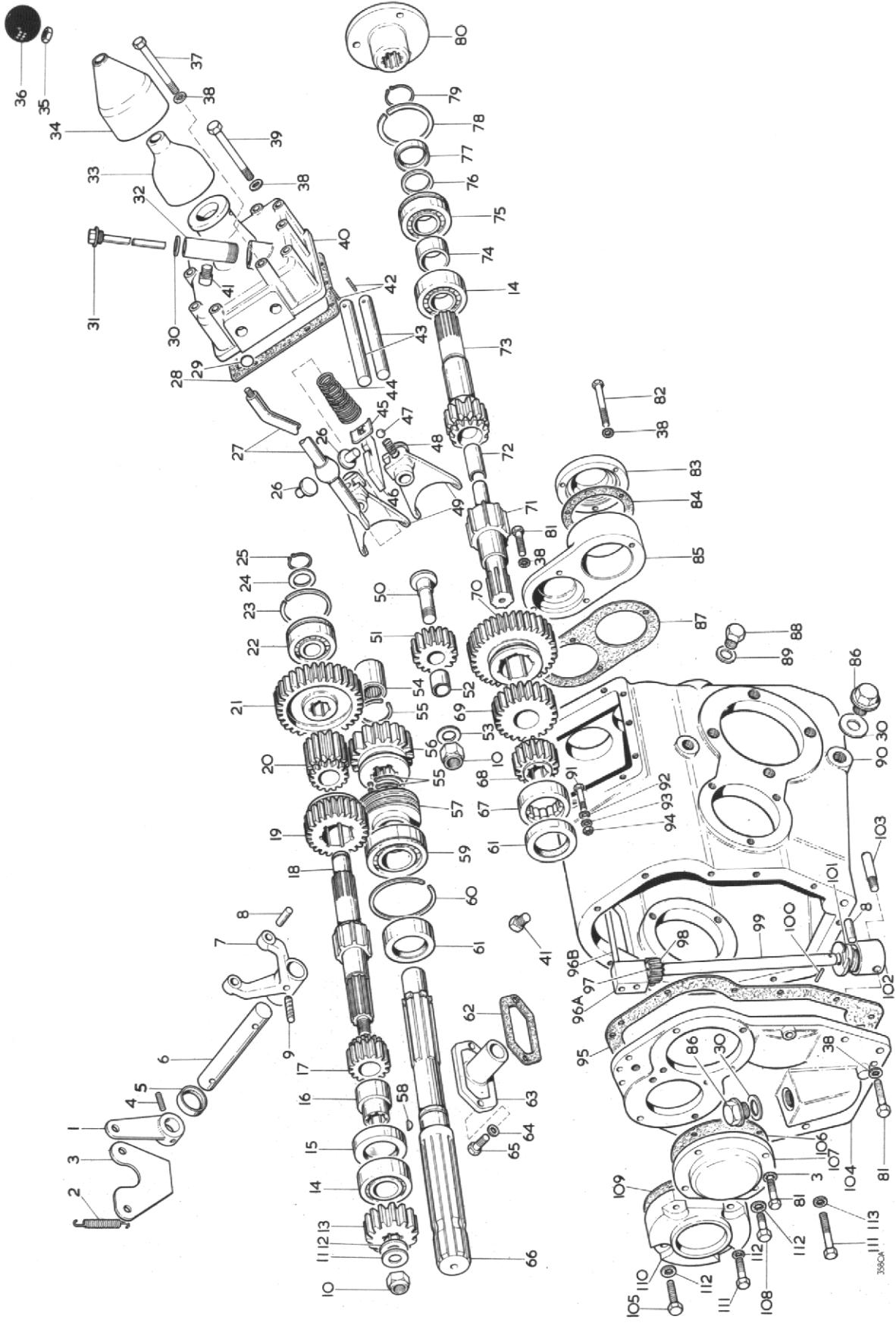
## GEARBOX

<i>Item No.</i>	<i>Part No.</i>	<i>Description</i>	<i>No. Off</i>
1	WT.914	P. T. O. Shift Lever	1
2		Spring	1
3	WT.920	P. T. O. Spring Attachment Plate	1
4	WT.749	Spirol Pin	1
5	WT.407	Oil Seal	1
6	WT.729	P. T. O. Shift Shaft	1
7	WT.728	P. T. O. Shifter Fork	1
8	WT.730	P. T. O. Shift Pin	4
9	WT.750	Spirol Pin	1
10	WT.794	Nyloc Nut	2
11	WT.796	Washer - Layshaft	1
12	WT.795	Fibre Washer - Layshaft	1
13	WT.321	P. T. O. Pinion	1
14	WT.345	Ball Race	2
15	WT.357	Oil Seal - Layshaft	1
16	WT.324	Bearing Sleeve	1
17	WT.319	Reverse Pinion	1
18	WT.310	Layshaft	1
19	WT.318	2nd. Speed Sliding Gear	1
20	WT.389	1st. Speed Pinion	1
21	WT.314	Layshaft Wheel	1
22	WT.349	Ball Race	1
23	WT.350	Snap Ring	1
24	WT.333	Spacer - Layshaft	1
25	WT.415	Circlip - 17mm External Type	1
26	WT.404	Gear Lever Pad	2
27	WT.366	Gear Lever	1
28	WT.370	Joint for WT 307	1
29	WT.744	Sealing Disc.	4
30	WT.410	$\frac{1}{2}$ " B. S. P. Washer	3
31	WT.380	Dipstick	1
32	WT.364	Filler Tube	1
33	WT.399	Gear Lever Cover	1
34	WT.406	Steel Cover	1
35	WT.432	Locknut (Thin)	1
36	WT.400	Knob - Gear Lever	1
37	WT.756	Hex. Bolt	1
38	WT.436	Shakeproof Washer	23
39	WT.423	Hex. Bolt	8
40	WT.307	Top Cover	1
41	WT.398	Breather	2
42	WT.414	Spirol Pin	2
43	WT.363	Selector Shaft	2
44	WT.405	Gear Lever Spring	1
45	WT.402	Spring Plate	1
46	WT.365	Baulk Plate	1
47	WT.409	$\frac{3}{8}$ " Dia. Ball	2
48	WT.384	Selector Spring	2
49	WT.362	Selector Fork	2
50	WT.330	Reverse Idler Shaft	1



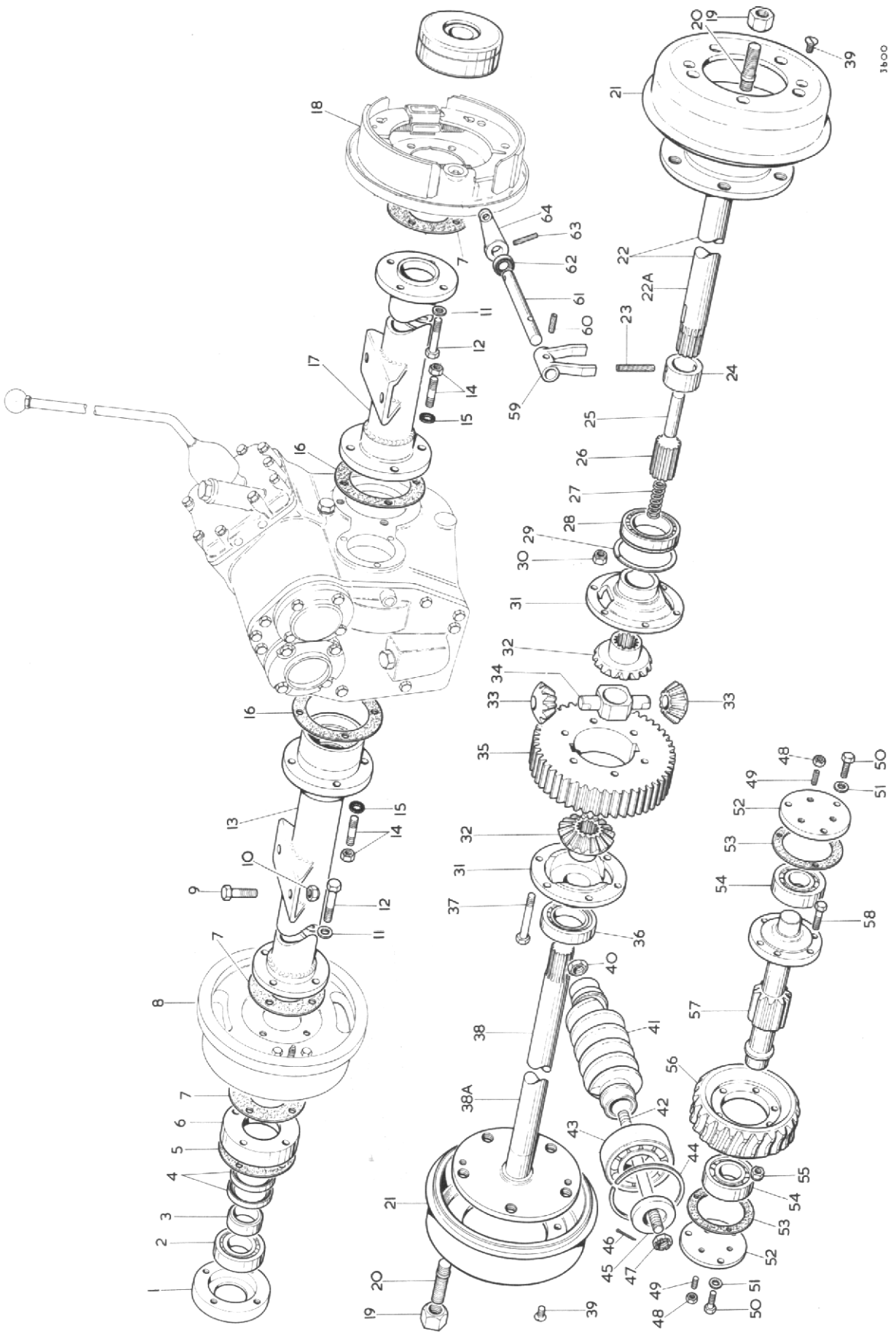
## GEARBOX Cont'd

<i>Item No.</i>	<i>Part No.</i>	<i>Description</i>	<i>No. Off</i>
51	WT.320	Reverse Idler	1
52	WT.355	Wrapped Bush	1
53	WT.439	Plain Washer	1
54	WT.353	Needle Roller Bearing	1
55	WT.395	Circlip, 30 mm External	3
56	WT.727	P. T. O. Shift Gear	1
57	WT.738	Worm Gear	1
58	WT.748	Woodruff Key	1
59	WT.401	Ball Race	1
60	WT.403	Snap Ring	1
61	WT.358	Oil Seal (P. T. O. and Worm)	2
62	WT.720	P. T. O. Shift Cover Joint	1
63	WT.731	P. T. O. Shift Cover	1
64	WT.757	Shakeproof Washer	2
65	WT.426	Hex. Set Bolt	2
66	WT.312	P. T. O. Shaft	1
67	WT.344	Roller Race	1
68	WT.316	Reverse Wheel	1
69	WT.315	2nd. Speed Wheel	1
70	WT.317	1st. Speed Sliding Gear	1
71	WT.309	Main Shaft	1
72	WT.354	Wrapped Bush	1
73	WT.308	Primary Shaft	1
74	WT.335	Spacer - Primary Bearing	1
75	WT.346	Ball Race	1
76	WT.334	Spacer Primary Shaft	1
77	WT.356	Oil Seal - Input	1
78	WT.347	Snap Ring for WT.346	1
79	WT.412	Circlip $\frac{7}{8}$ " External	1
80	WT.332	Input Coupling	1
81	WT.419	Hex. Set Bolt	14
82	WT.424	Hex. Bolt	1
83	WT.306	End Cover - Input	1
84	WT.367	Joint for WT.306	1
85	WT.305	Input Cover	1
86	WT.408	$\frac{1}{2}$ " B. S. P. Plug	3
87	WT.368	Joint for WT.305	1
88	WT.416	$\frac{1}{4}$ " B. S. P. Plug	1
89	WT.417	Washer	1
90	WT.301	Axle Casing	1
91	WT.429	Bolt	1
92	WT.798	Seloc Washer	2
93	WT.758	Plain Washer	2
94	WT.797	Nyloc Nut	1
95	WT.369	Joint for WT.302	1
96	WT.740	Sub Assembly of Top Block and Delivery Tube	1
96A	L.208	Top Block	1
96B	L.209	Delivery Tube	1
97	WT.752	Sel-lock Pin	1



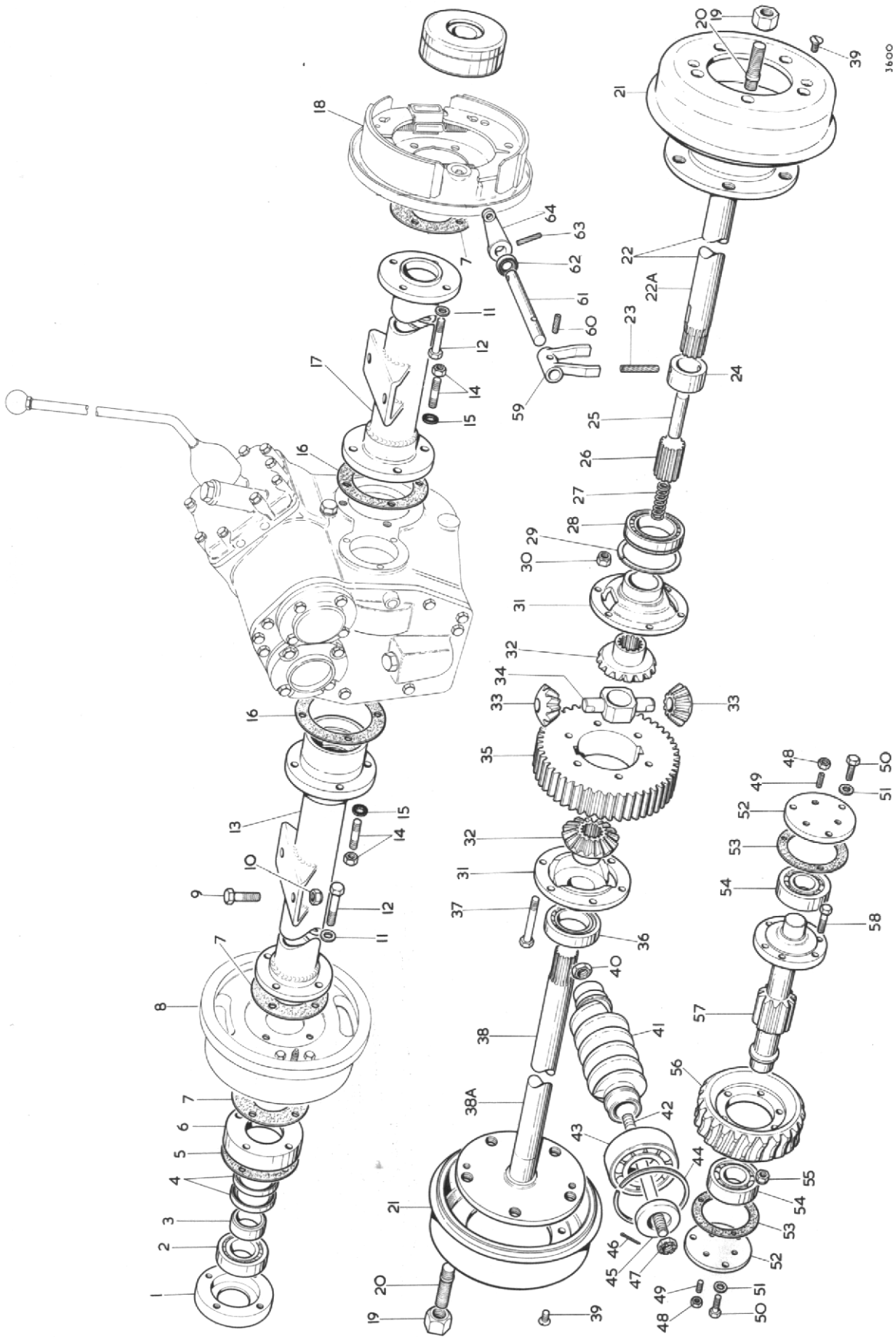
## GEARBOX Cont'd

<i>Item No.</i>	<i>Part No.</i>	<i>Description</i>	<i>No. Off</i>
98	WT.737	Drive Pinion	1
99	WT.736	Pump Tube	1
100	WT.753	Sel-lock Pin	1
101	WT.735	Pump Scroll	1
102	WT.734	Pump Body	1
103	WT.742	Stud	1
104	WT.302	Rear Cover	1
105	WT.422	Hex. Bolt	1
106	WT.372	Joint for WT.303	1
107	WT.303	End Cover - Worm	1
108	WT.421	Hex. Bolt	2
109	WT.371	Joint for WT.304	1
110	WT.304	P. T. O. End Cover	1
111	WT.420	Hex. Bolt	3
112	WT.880	Seloc Washer	7
113	WT.754	Seloc Washer	9



## AXLE

Item No.	Part No.	Description	No. Off
1	WT.340	Bearing Housing	2
2	WT.348	Ball Race	2
3	WT.339	Locking Ring - Half Shaft	2
4	WT.359	Oil Seal - Axle	4
5	WT.375	Joint for WT.341	2
6	WT.341	Oil Seal Housing	2
7	WT.374	Joint for Brake Plate	4
8	WT.378	Brake Assembly Left Hand (see page 16)	1
9		1½" x ½" UNF High Tensile Bolt	4
10		½" Locknut	4
11	WT.437	Shakeproof Washer	8
12	WT.427	Hex. Bolt	8
13	WT.360	Half Tube - Nearside	1
14	WT.900	Stud and Nut	8
15	WT.751	Seloc Washer	8
16	WT.373	Joint for WT.360/361	2
17	WT.361	Half Tube - Offside	1
18	WT.377	Brake Assembly Right Hand (see page 16)	1
19	WT.267	Wheel Nut (PN 3106)	10
20	WT.381	Wheel Stud	10
21	WT.331	Brake Drum	2
22	WT.326	Half Shaft - Right Hand	1
22A	WT.793	Half Shaft - Right Hand (Complete with items 1, 2, and 3)	1
23	WT.418	Spirol Pin	1
24	WT.336	Operating Ring	1
25	WT.813	Push Pin	1
26	WT.388	Sliding Member	1
27	WT.393	Spring - Differential Lock	1
28	WT.391	Ball Race	1
29	WT.392	Snap Ring	1
30	WT.761	Nyloc Nut	6
31	WT.328	Differential Case (Half)	2
32	WT.382	Differential Side Gear	2
33	WT.383	Differential Pinion	2
34	WT.329	Spider	1
35	WT.327	Final Drive Wheel	1
36	WT.390	Ball Race	1
37	WT.425	Hex. Bolt	6
38	WT.325	Half Shaft - Left Hand	1
38A	WT.806	Half Shaft - Left Hand (Complete with items 1, 2, and 3)	1
39	WT.745	Screw - Countersunk Head	4
40	WT.432	Locknut (Thin)	1
41	WT.311	Worm	1
42	WT.733	Stud - Worm	1
43	WT.351	Ball Race	1
44	WT.352	Snap Ring	1
45	WT.732	Special Washer	1

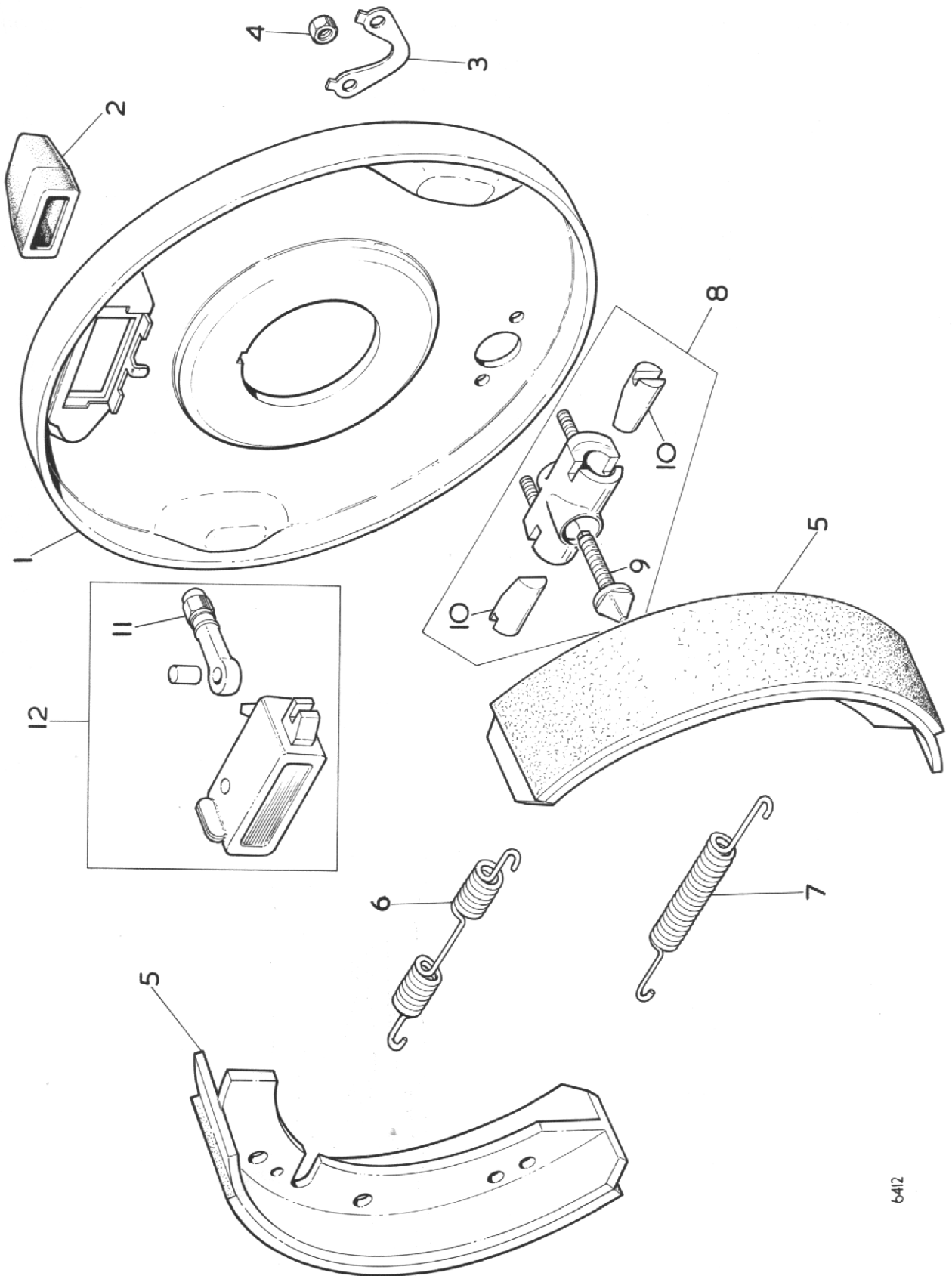


1600



## AXLE Cont'd

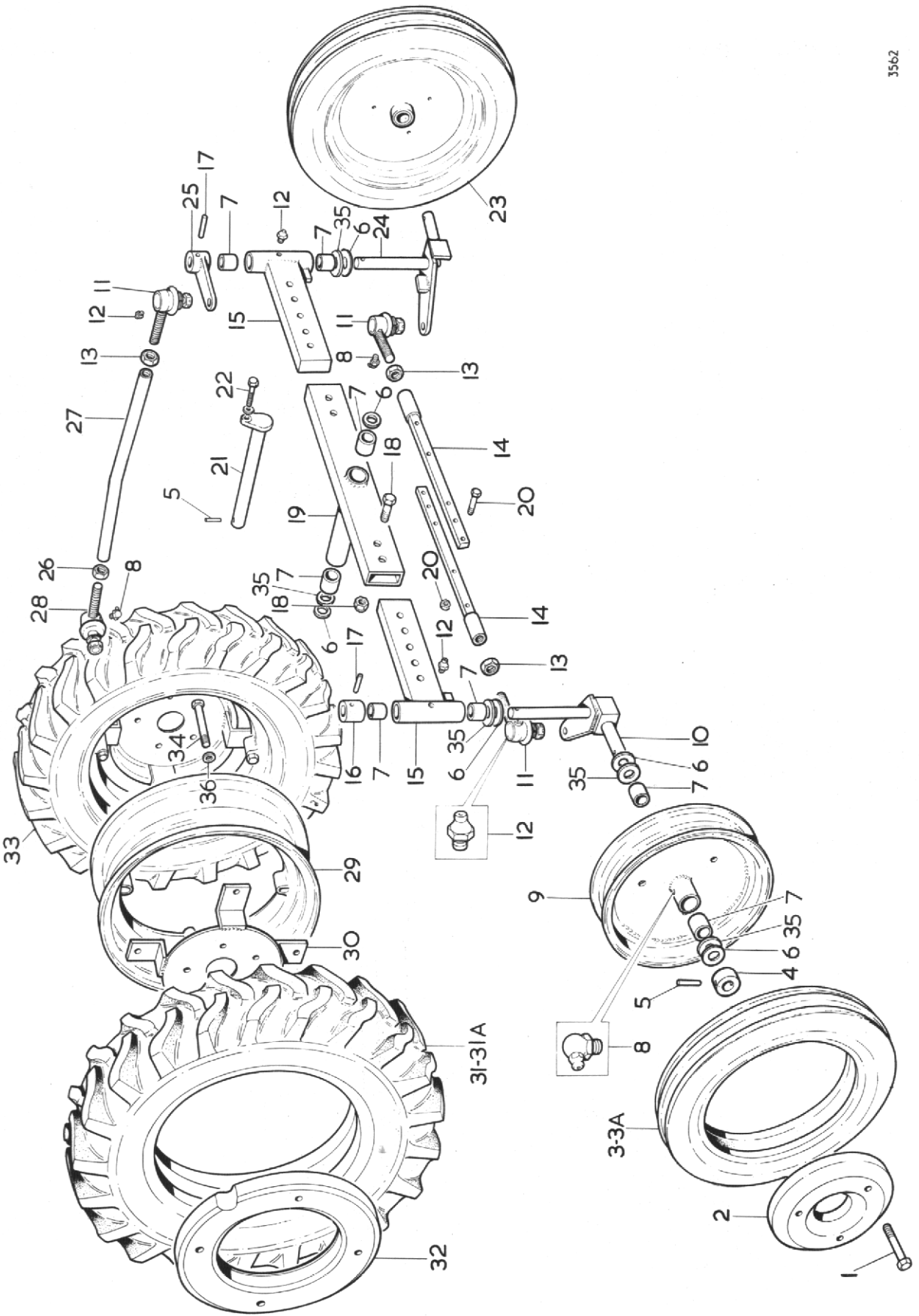
<i>Item No.</i>	<i>Part No.</i>	<i>Description</i>	<i>No. Off</i>
46	WT.747	Split Pin	1
47	WT.431	Slotted Nut	1
48	WT.434	Locknut	6
49	WT.430	Socket Grub Screw	6
50	WT.419	Hex. Set Bolt	6
51	WT.436	Shakeproof Washer	6
52	WT.379	End Cover	2
53	WT.376	Joint - Output Shaft	2
54	WT.743	Bearing	2
55	WT.759	Nyloc Nut	6
56	WT.323	Worm Wheel	1
57	WT.313	Output Shaft	1
58	WT.755	Bolt	6
59	WT.385	Differential Lock Fork	1
60	WT.413	Spirol Pin	1
61	WT.342	Differential Lock Shaft	1
62	WT.407	Oil Seal	1
63	WT.414	Spirol Pin	1
64	WT.915	Differential Lock Lever	1



6412

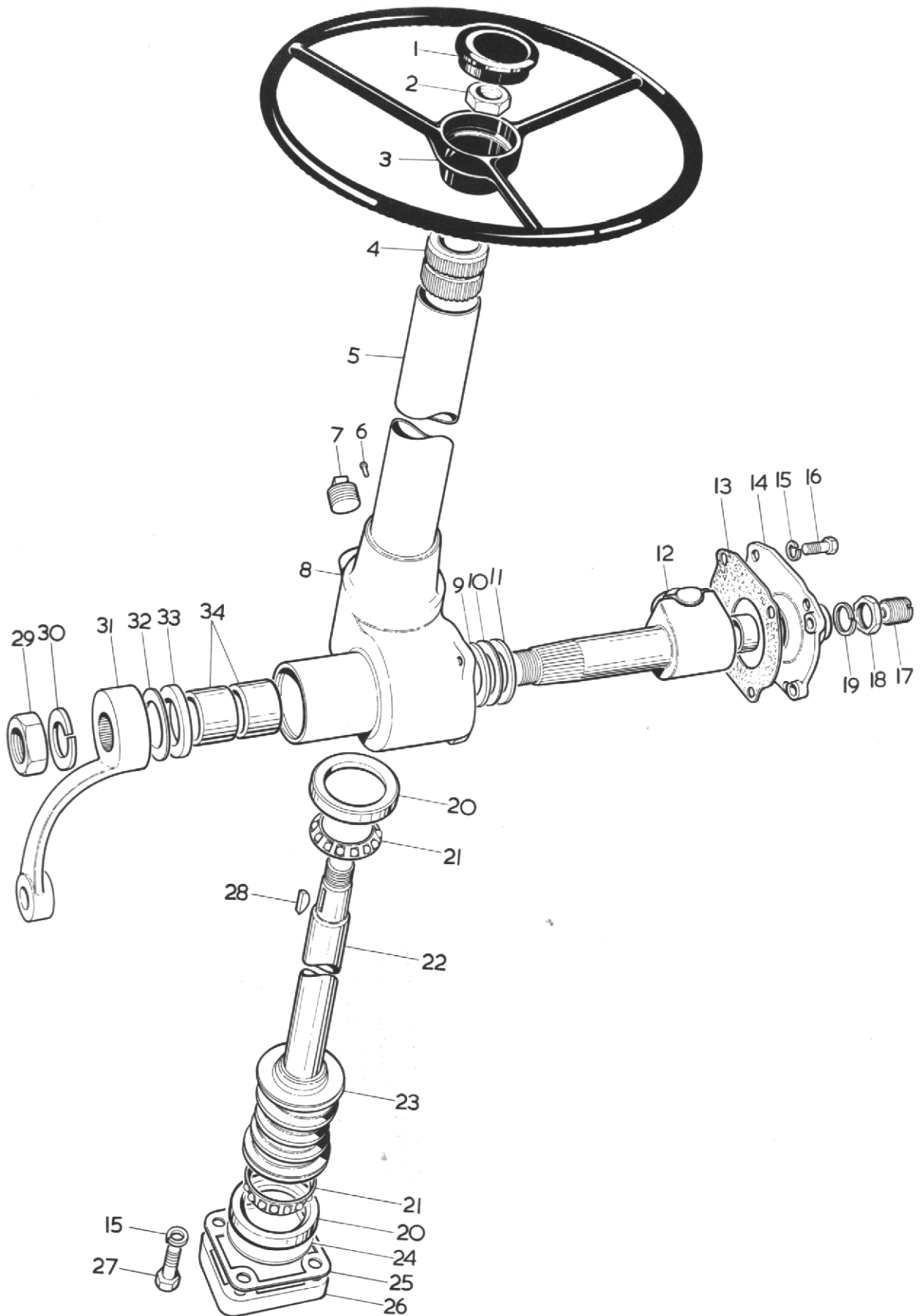
## BRAKES

<i>Item No.</i>	<i>Part No.</i>	<i>Description</i>	<i>No. Off</i>
1	WT.534	Backplate Right Hand	1
1A	WT.535	Backplate Left Hand	1
2	WT.537	Boot	2
3	WT.541	Locking Tab	2
4	WT.539	Nut	4
5	WT.540	Brake Shoes	2 pairs
6	WT.536	Spring Expander End	2
7	WT.538	Spring Adjuster End	2
8	WT.542	Adjuster Assembly (including items 9 and 10)	2
9	WT.766	Adjuster Screw	2
10	WT.767	Tappet	4
11	WT.544	Pull Rod and Pin	2
12	WT.543	Expander Assembly (including item 11)	2



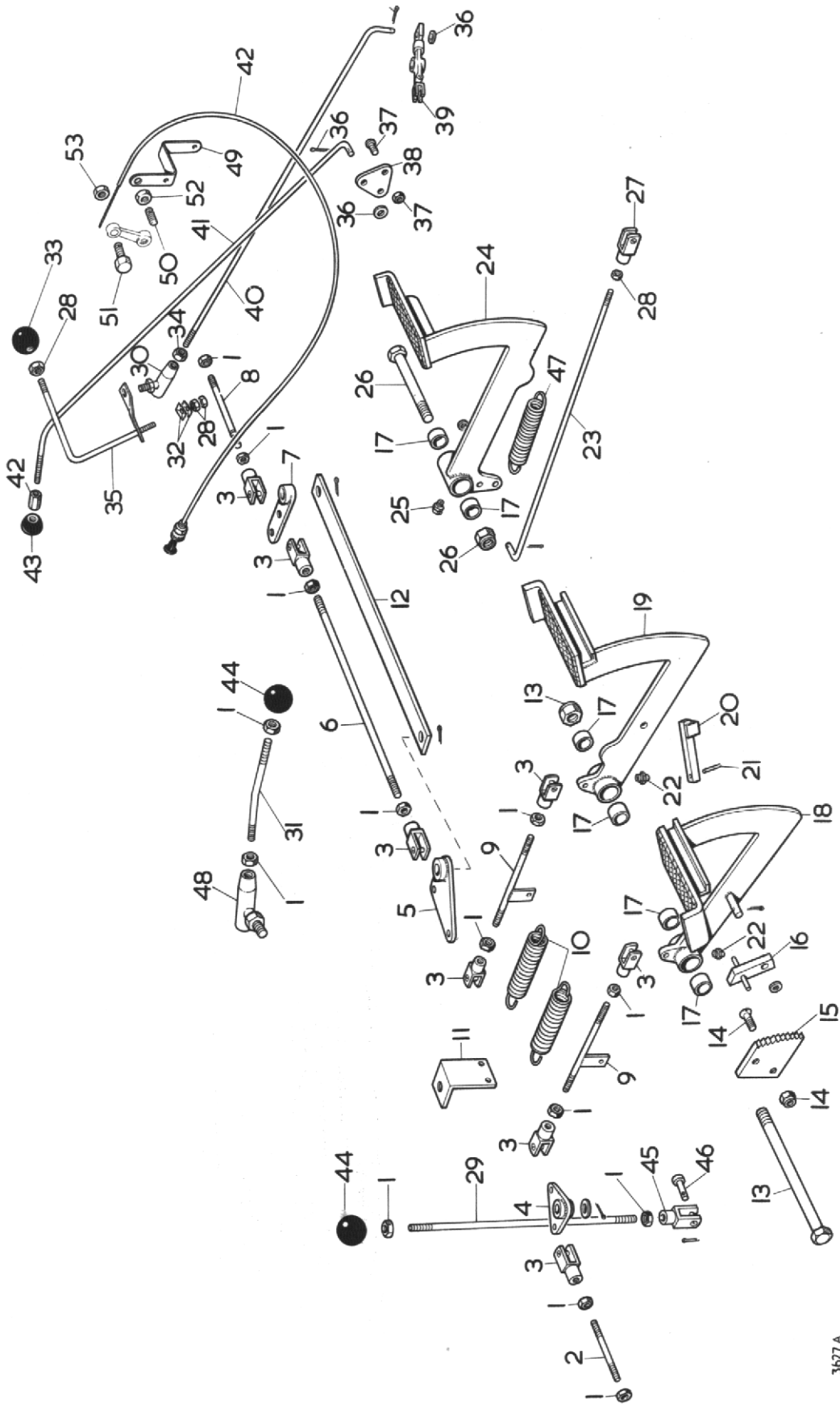
## STEERING AXLE & WHEELS

Item No.	Part No.	Description	No. Off
1		$\frac{1}{2}$ " UNF x 3" Long Bolt and Nut	6
2	WT.154	Wheel Weight	2
3	WT.609	Tyre (Front)	2
3A	WT.610	Tube	2
4	WT.151	Wheel Retaining Cap	2
5	WT.238-4	Retaining Pin	3
6	WT.209	Thrust Bearing	8
7	WT.126	Bearing Bush	10
8	WT.546	Grease Nipple, 90°	4
9	WT.171	Wheel	2
10	WT.624 RH	Stub Axle Assembly	1
11	WT.602	Steering Rod Ball End (Right Hand)	3
12	WT.547	Grease Nipple - Straight	4
13		Nut $\frac{3}{4}$ " UNF - (Right Hand)	3
14	WT.160	Track Rod Half	2
15	WT.136	Steering Axle End	2
16	WT.148	Stub Axle Collar	1
17	WT.238-2	Retaining Pin	2
18		$\frac{5}{8}$ " UNF x 2" Long Bolt and Nut	4
19	WT.918	Front Axle Assembly	1
20		$\frac{3}{8}$ " UNF x 2" Long Bolt and Nut	2
21	WT.905	Axle Pivot Pin	1
22		$\frac{5}{16}$ " UNF x $\frac{3}{8}$ " Long Bolt	1
23	WT.764	Front Wheel Complete	2
24	WT.624 LH	Stub Axle Assembly	1
25	WT.157	Steering Lever	1
26		Nut $\frac{3}{4}$ " UNF -(Left Hand)	1
27	WT.159A	Drag Link	1
28	WT.603	Steering Rod Ball End (Left Hand)	1
29	WT.169	Wheel Rim	2
30	WT.168	Wheel Centre	2
31	WT.607	Drive Tyre	2
31A	WT.608	Tube	2
32	WT.166	Wheel Weight	2
33	WT.765	Rim Complete with Tyre and Tube	2
34		$\frac{1}{2}$ " UNF x 6" Long Bolt and Nut	8
35	WT.903	Thrust Washer	7
36	WT.558	Washer	8



## STEERING GEAR

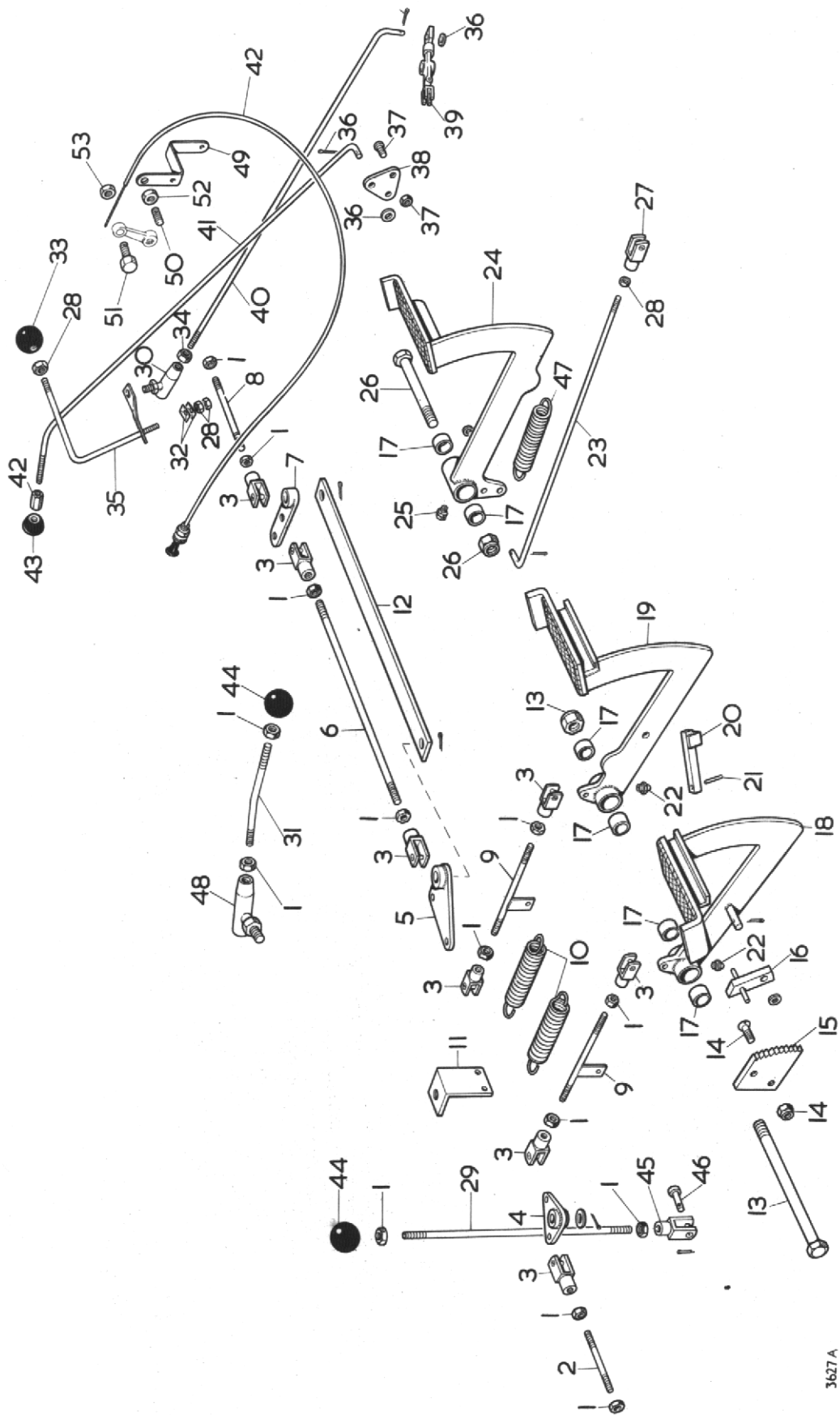
Item No.	Part No.	Description	No. Off
	WT.970	Steering Gear Complete	1
1	WTD.502	Steering Wheel Cap	1
2		Nut $\frac{3}{4}$ " UNF	1
3	WTD.501	Steering Wheel	1
4	WTD.522	Bush - Top Column	1
5	WT.520	Outer Tube	1
6	WT.531	Pin	1
7	WTD.529	Oil Plug	1
8	WTD.517	Steering Box	1
9	WTD.504	Thrust Washer	1
10	WTD.512	Shim	as req'd
11	WTD.503	Thrust Washer	1
12	WTD.523	Rocker Shaft	1
13	WTD.511	Gasket	1
14	WTD.518	Cover Plate and Bush	1
15	WTD.524	Spring Washer	8
16	WTD.525	Bolt	4
17	WTD.508	Adjuster Screw	1
18	WTD.509	Nut	1
19	WTD.528	Spring Washer	1
20	WTD.515	Outer Race	2
21	WTD.521	Cage and Balls	2
22	WT.505	Inner Shaft	1
23	WTD.514	Cam	1
24	WTD.516	Washer	1
25	WTD.510	Shim	as req'd
26	WTD.519	Bottom Cap	1
27	WTD.526	Bolt	4
28	WTD.500	Woodruff Key	1
29	WTD.530	Nut	1
30	WTD.527	Spring Washer	1
31	WT.694	Drop Arm	1
32	WT.506	Plug	1
33	WT.507	Oil Seal	1
34	WTD.513	Bush	2





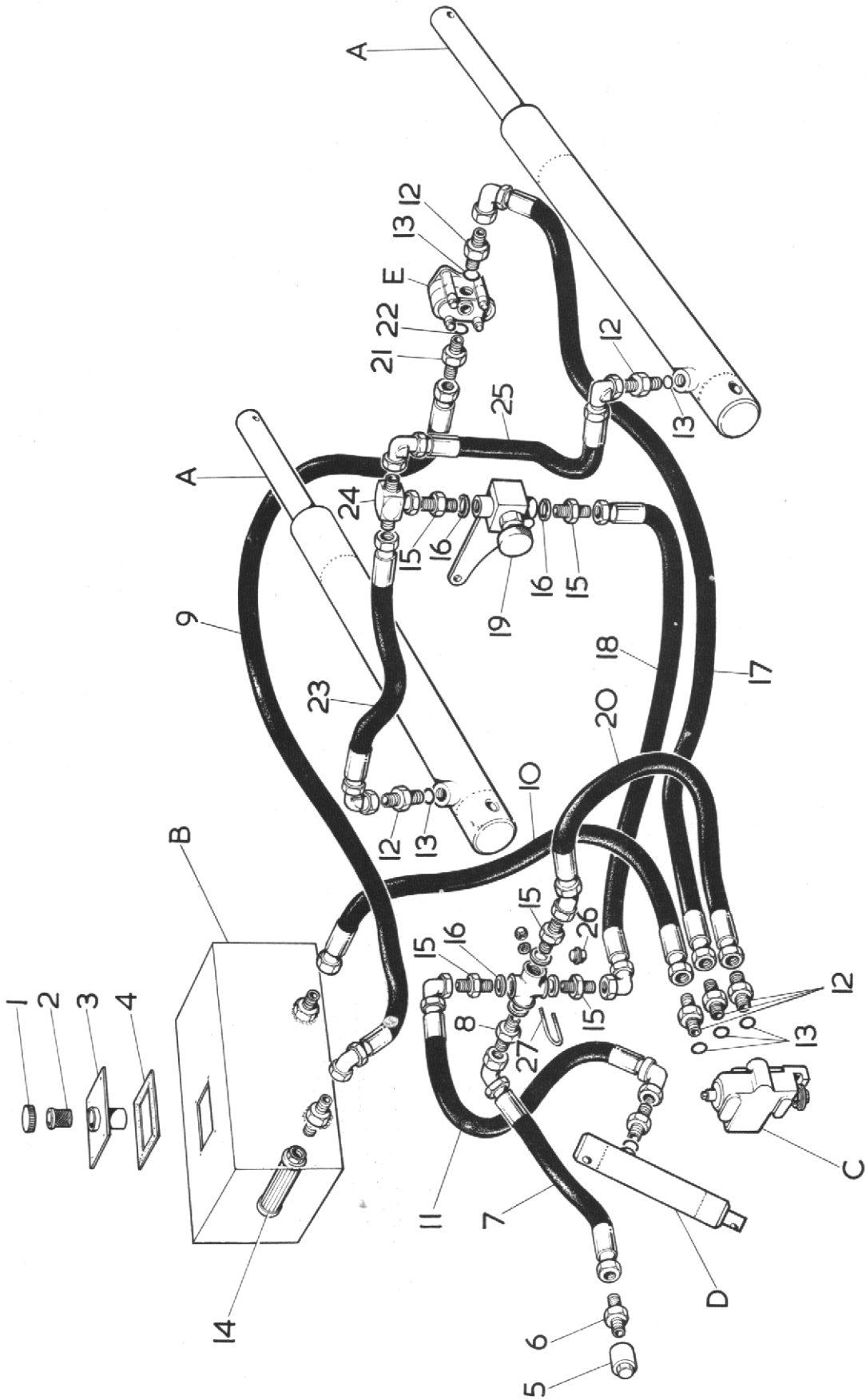
## CONTROLS

Item No.	Part No.	Description	No. Off
1		5/16" UNF Nut	14
2	WT.210-1	Rod, Link Plate to Drum Right Hand	1
3	WT.551-1	5/16" UNF Clevis Assembly	8
4	WT.240	Link Plate Right Hand	1
5	WT.239	Link Plate - Intermediate	1
6	WT.210-4	Brake Rod	1
7	WT.241	Link Plate - Right Hand	1
8	WT.210-2	Rod, Link Plate to Right Hand Drum	1
9	WT.246	Brake Rod - Pedal to Link Plate	1
10	WT.236	Return Spring	2
11	WT.245	Spring Anchor	1
12	WT.244	Strap	1
13		$\frac{5}{8}$ " UNF x 7" Long Bolt and Nut	1
14		$\frac{3}{8}$ " UNF Countersunk Screw x $1\frac{1}{4}$ " Long and Nut	2
15	WT.143	Parking Brake Quadrant	1
16	WT.165	Parking Brake Pawl	1
17	WT.137-4	Bush, Pedal	6
18	WT.215	Brake Pedal Right Hand	1
19	WT.137	Brake Pedal Left Hand	1
20	WT.216	Latch, Brake Pedal	1
21	WT.238-1	Tension Pin	1
22	WT.547	Grease Nipple - Straight	2
23	WT.230	Clutch Rod	1
24	WT.139	Clutch Pedal	1
25	WT.546	Grease Nipple 90°	1
26		$\frac{5}{8}$ " UNF x 6" Long Bolt and Nut	1
27	WT.551-2	Clevis Assembly $\frac{3}{8}$ " UNF	1
28		$\frac{3}{8}$ " UNF Nut	1
29	WT.916	Rod, Differential Lock	1
30	WT.972	Ball Joint	1
31	WT.929	Rod - P. T. O.	1
32	WT.605	Belleville Washer	4
33	WT.172-1	Knob $\frac{3}{8}$ " UNF	1
34		$\frac{1}{4}$ " UNF Nut	1
35	WT.942	Throttle Lever	1
36		Washer $\frac{1}{2}$ " Dia.	2
37		2BA Mushroom Head Bolt x $\frac{1}{2}$ " and Nut	2
38	WT.249	Plate, Stop Control	1
39	WT.232	Lever, Engine Throttle	1
40	WT.927	Throttle Rod	1
41	WT.960	Rod, Stop Control	1
42	WT.690-1	Control Cable	1
43	WT.172-2	Knob $\frac{1}{2}$ " UNF	1
44	WT.928	Knob 5/16" UNF	1
45	WT.962	Clevis	1
46	WT.965	Clevis Pin	2
47	WT.883	Return Spring, Clutch Pedal	1
48	WT.983	Ball Joint	1



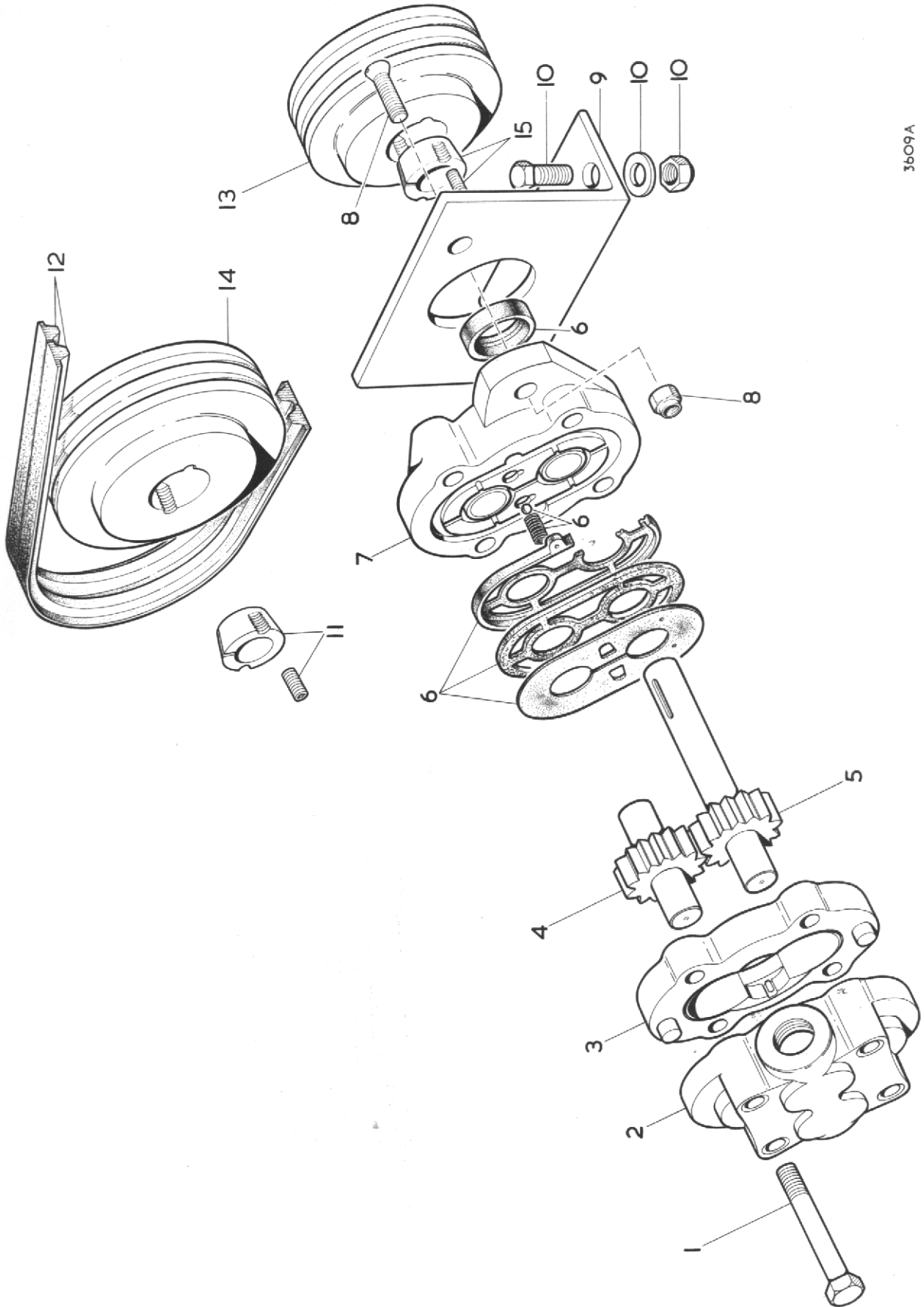
**CONTROLS Cont'd**

<i>Item No.</i>	<i>Part No.</i>	<i>Description</i>	<i>No. Off</i>
49	WT 681	Bracket	1
50	WT 682-1	Clamp Screw	1
51	WT 682-2	Clamp Screw	1
52	WT 690-3	Hex. Nut $\frac{3}{8}$ " UNF	1
53	WT 690-2	Hex. Nut $\frac{1}{4}$ " UNF	1



## HYDRAULIC HOSE & FITTINGS INCLUDING FRONT LOADER & TRAILER COUPLING

Item No.	Part No.	Description	No. Off
1	WT.8464	Filler Cap	1
2	WT.8465	Strainer	1
3	WT.8906	Tank Cover	1
4	WT.8957	Gasket	1
5	WT.8499	Dust Cap	1
6	WT.8498	Coupling	1
7	WT.8477	Hose $\frac{1}{2}$ " x 15 $\frac{1}{2}$ " S/90	1
8	WT.8762	Adaptor $\frac{1}{2}$ " B.S.P. x $\frac{3}{8}$ " B.S.P.	1
9	WT.8926	Hose $\frac{1}{2}$ " x 74" S/90	1
10	WT.8924	Hose $\frac{3}{8}$ " x 21" S/S	1
11	WT.8925	Hose $\frac{3}{8}$ " x 19 $\frac{1}{2}$ " 90/90	1
12	WT.8482	Adaptor $\frac{3}{8}$ " B.S.P. x 9/16" J.I.C.	7
13	WT.8484	'O' Ring 9/16"	7
14	WT.8466	Filter	1
15	WT.8481	Adaptor $\frac{3}{8}$ " B.S.P. x $\frac{3}{8}$ " B.S.P.	5
16	WT.8486	Bonded Seal $\frac{3}{8}$ "	6
17	WT.8470	Hose $\frac{3}{8}$ " x 63" S/90	1
18	WT.9474	Hose $\frac{3}{8}$ " x 43" S/90	1
19	WT.9497	Shut Off Valve	1
20	WT.8472	Hose $\frac{3}{8}$ " x 25" S/135	1
21	WT.8954	Adaptor $\frac{3}{8}$ " B.S.P. x $\frac{3}{4}$ " J.I.C.	1
22	WT.8485	'O' Ring $\frac{3}{4}$ "	1
23	WT.9476	Hose $\frac{3}{8}$ " x 27" S/90	1
24	WT.9801	Tee Piece	1
25	WT.9475	Hose $\frac{3}{8}$ " x 16 $\frac{1}{2}$ " 90/90	1
26	WT.8489	Plug	2
27	WT.8488	'U' Bolt and Nut	1
A		Hydraulic Cylinder see page 29	
B		Hydraulic Oil Tank Built into Left Hand Mud Wing	
C		Control Valve see page 30	
D		Hydraulic Cylinder see page 28	
E		Hydraulic Pump see page 26	



3609A

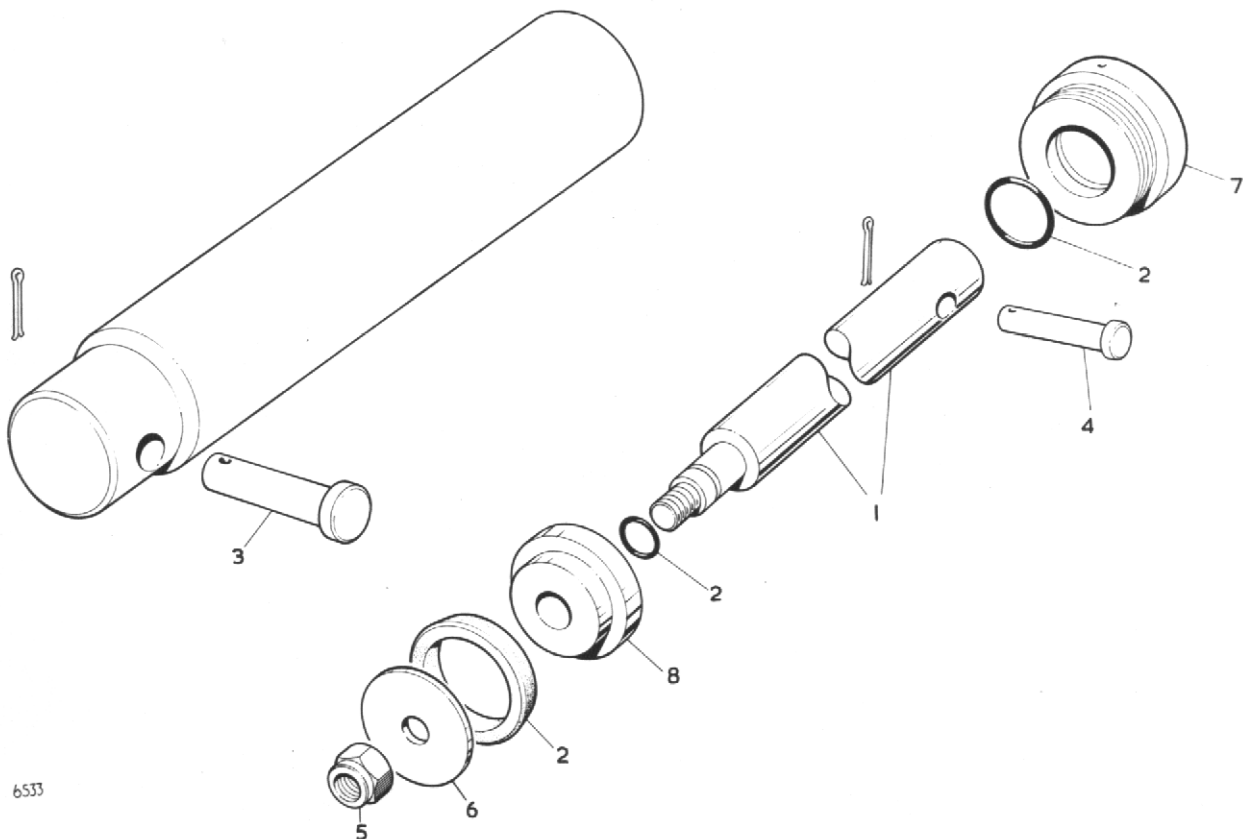
## HYDRAULIC PUMP & DRIVE

<i>Item No.</i>	<i>Part No.</i>	<i>Description</i>	<i>No. Off</i>
	WT 8440	Pump Assembly	1
1	WT 8445	Cap Screw	4
2	WT 8446	Back Plate Assembly	1
3	WT 8447	Body and Dowel Assembly	1
4	WT 8444	Idler Gear Assembly	1
5	WT 8443	Drive Gear Assembly	1
6	WT 8448	Seal Repair Kit	1
7	WT 8441	Front Plate Assembly	1
8		Bolt and Nut Pump to Bracket 1 $\frac{1}{4}$ " Countersunk x $\frac{3}{8}$ " UNF	2
9	WT 8193	Pump Mounting Bracket	1
10		Bolt and Nut Bracket to Chassis 1 $\frac{1}{2}$ " x $\frac{3}{8}$ " UNF	2
11	WT 8986	Taper Bush 1 $\frac{1}{2}$ " Bore	2
12	WT 8985	Belt	1
13		Pump Pulley	1
14	WT 8988	Engine Pulley	1
15	WT 8987	Taper Bush 9/16" Bore	

## HYDRAULIC PUMP & DRIVE

<i>Item No.</i>	<i>Part No.</i>	<i>Description</i>	<i>No. Off</i>
	WT 8440	Pump Assembly	1
1	WT 8445	Cap Screw	4
2	WT 8446	Back Plate Assembly	1
3	WT 8447	Body and Dowel Assembly	1
4	WT 8444	Idler Gear Assembly	1
5	WT 8443	Drive Gear Assembly	1
6	WT 8448	Seal Repair Kit	1
7	WT 8441	Front Plate Assembly	1
8		Bolt and Nut Pump to Bracket 1 $\frac{1}{4}$ " Countersunk x $\frac{3}{8}$ " UNF	2
9	WT 8193	Pump Mounting Bracket	1
10		Bolt and Nut Bracket to Chassis 1 $\frac{1}{2}$ " x $\frac{3}{8}$ " UNF	2
11	WT 8986	Taper Bush 1 $\frac{1}{2}$ " Bore	2
12	WT 8985	Belt	1
13		Pump Pulley	1
14	WT 8988	Engine Pulley	1
15	WT 8987	Taper Bush 9/16" Bore	1

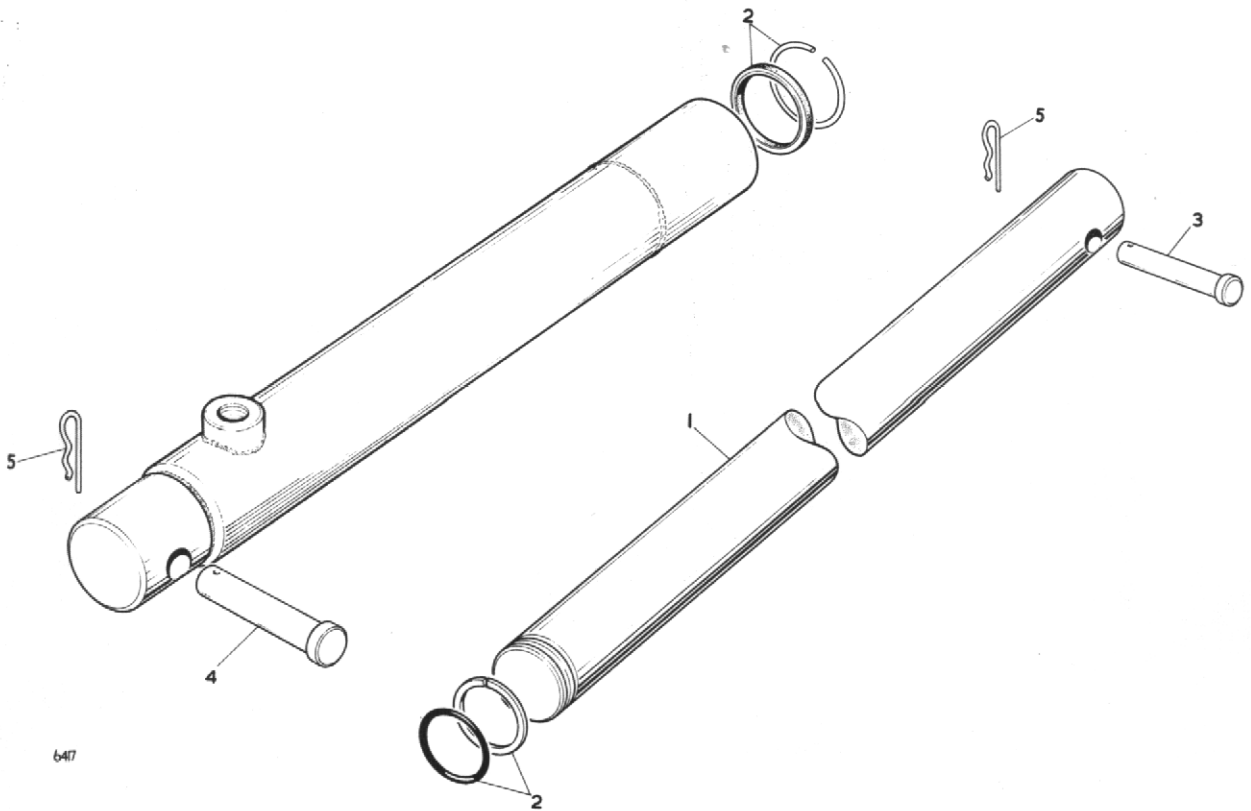




6533

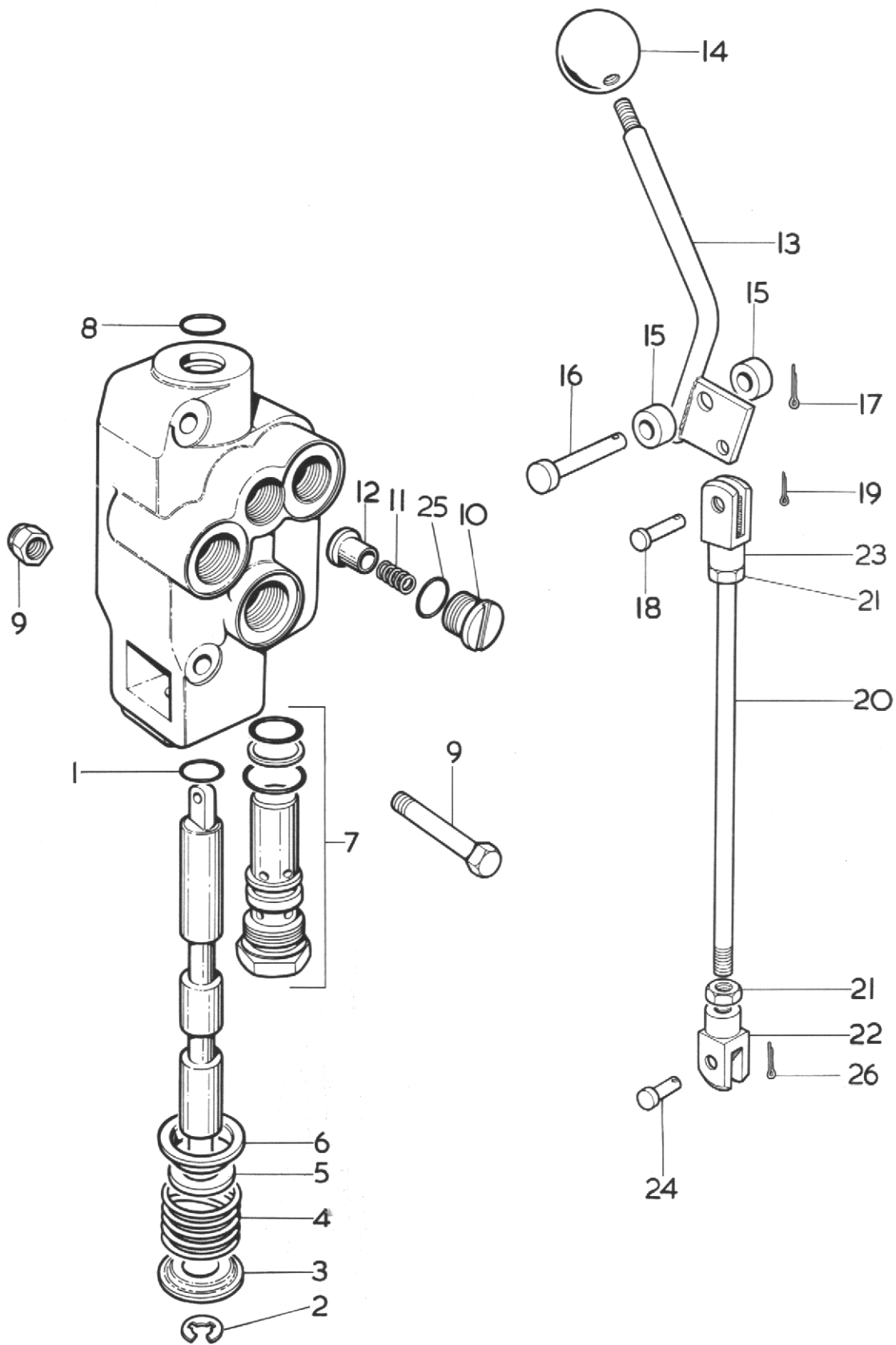
### HYDRAULIC CYLINDER - TOOL LIFT

Item No.	Part No.	Description	No. Off
	WT.8701	Cylinder Complete	1
1	WT.8768	Piston Rod	1
2	WT.8769	Seal Repair Kit	1
3	WT.8178/13	Upper Mounting Pin	1
4	WT.8178/11	Lower Mounting Pin	1
5	WT.8978	Self Lock Nut	1
6	WT.8979	Backing Washer	1
7	WT.9980	Tube Cap	1
8	WT.9981	Piston Head	1



### HYDRAULIC CYLINDER - FRONT LOADER

<i>Item No.</i>	<i>Part No.</i>	<i>Description</i>	<i>No. Off</i>
	WT 9490	Cylinder Complete	2
1	WT 9491	Piston Rod	2
2	WT 9492	Seal Repair Kit	2
3	WT 9178-3	Upper Mounting Pin	2
4	WT 9178-13	Lower Mounting Pin	2
5	WT 9266	Round Spring Cotter	4



## VALVE & LEVER ASSEMBLY

<i>Item No.</i>	<i>Part No.</i>	<i>Description</i>	<i>No. Off</i>
1	WT.8966	Seal	1
2	WT.8969	Circlip	1
3	WT.8451	Washer - Shallow	1
4	WT.8456	Spring - Spool Centre	1
5	WT.8458	Washer - Spool	1
6	WT.8452	Washer - Deep	1
7	WT.8450	Relief Valve	1
8	WT.8967	Seal	1
9		5/16" UNF Bolt 2½" Long and Nut	2
10	WT.8455	Plug	1
11	WT.8454	Spring - Lift Check	1
12	WT.8453	Plunger - Lift Check	1
13	WT.8912	Control Lever	1
14	WT.8172/1	Control Knob	1
15	WT.8189/2	Spacer	2
16	WT.8178/4	Lever Pivot Pin	1
17		Split Pin 1/16" Dia. x ½" Long	1
18	WT.8965	Clevis Pin (Upper)	1
19		Split Pin 3/32" Dia. x 5/8" Long	1
20	WT.8930	Control Rod	1
21		Locknut ½" UNF	2
22	WT.964	Clevis (Lower)	1
23	WT.961	Clevis (Upper)	1
24	WT.178-5	Clevis Pin (Lower)	1
25	WT.8968	Seal	1
26		Split Pin 3/64" x ½"	1
	WT.8460	Seal Repair Kit (Consisting of items 1, 8 and 25)	

# Winget TRACTOR

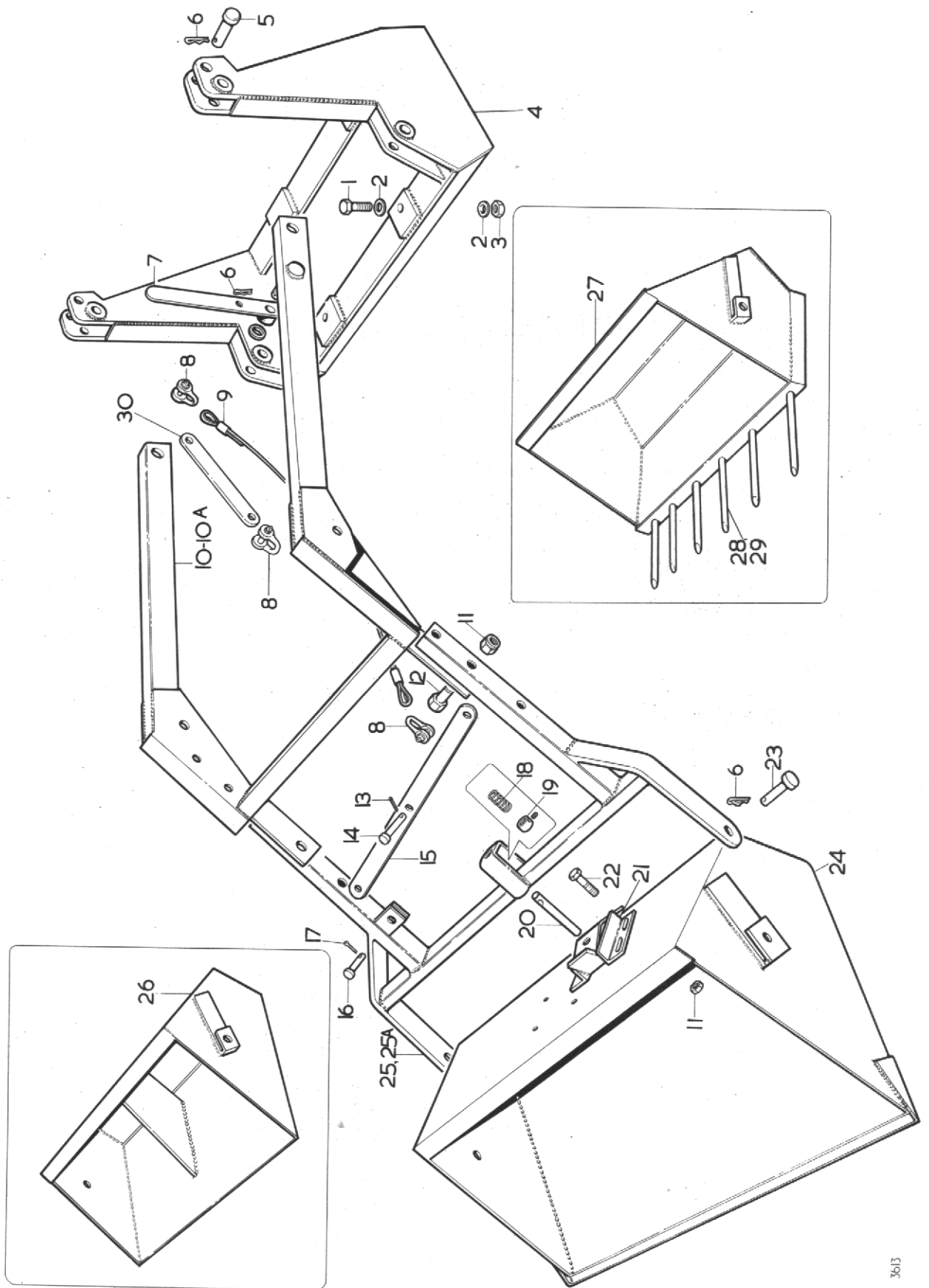
SLATER & ENGLAND LTD., AGRICULTURAL MACHINERY SALES  
WINGLOS HOUSE, BRISTOL RD., GLOUCESTER—ENGLAND PHONE 20228  
**RECOMMENDED LUBRICANTS**

COMPANY		ENGINE—LISTER SRI	DRIVE AXLE, GEARBOX & STEERING BOX	GREASE POINTS	HYDRAULIC SYSTEM
CASTROL 30°C 0 to 30°C Below 0°C	ABOVE 85°F. 32° to 85°F. Below 32°F.	AGRICASTROL HD 30/1 AGRICASTROL HD 20/1 AGRICASTROL HD 10/1	AGRICASTROL EP AGRICASTROL EP LIGHT CASTROL HYPOY LIGHT	AGRICASTROL MULTI - USE GREASE	HYSPIN 70 OR AW.10 HYSPIN 55 OR AW.5 HYSPIN 45 OR AW.5
B.P. 30°C 0 to 30°C Below 0°C	Above 85°F 32°—85°F Below 32°F	VANELLUS SAE 30 TRACTOR OIL UNIVERSAL OR VANELLUS SAE 20W VANELLUS SAE 10W	GEAR OIL SAE 140 EP GEAR OIL SAE 90 EP GEAR OIL SAE 80 EP	ENERGREASE UNIVERSAL OR ENERGREASE L2	ENERGOL HL 65 ENERGOL HL 50 ENERGOL HL 40
ESSO 30°C 0 to 30°C Below 0°C	OVER 80°F 32°—80°F BELOW 32°F	TRACTORLUBE HDX 30 OR ESSO TRACTORLUBE (UNIVERSAL) TRACTORLUBE HDX 20 OR ESSO TRACTORLUBE (UNIVERSAL) TRACTORLUBE HD 10W	TRACTORLUBE GEAR OIL GP 90/140 TRACTORLUBE GEAR OIL GP 90/140 ESSO GEAR OIL GP 80	ESSO MULTI-PURPOSE GREASE H	NUTO H-54 OR TRACTORLUBE HDX 20 NUTO H-44 OR TRACTORLUBE HDX 10W NUTO H-36
MOBIL 30°C 0 to 30°C Below 0°C	OVER 85°F 32°—85°F BELOW 32°F	DELVAC 1130 DELVAC 1120 DELVAC 1110	MOBILUBE GX 140 MOBILUBE GX 90 MOBILUBE GX 80	MOBIL GREASE M.P.	MOBIL DTE OIL LIGHT MOBIL VELOCITE OIL No. 10 MOBIL VELOCITE OIL No. 6
SHELL 30°C 0 to 30°C Below 0°C	OVER 85°F 30°—85°F UNDER 32°F	ROTELLA OIL 30 OR S.30 TRACTOR OIL UNIVERSAL OR ROTELLA 20/20W OR S20/20W ROTELLA 10W OR S10W	SPIRAX 140 EP SPIRAX 90 EP SPIRAX 80 EP	FARM GREASE UNIVERSAL OR RETINAX A	TELLUS OIL 27 TELLUS OIL 23 TELLUS OIL 15

IN THE EVENT OF THE ABOVE OILS NOT BEING AVAILABLE

EQUIVALENT OILS SUPPLIED BY A REPUTABLE MANUFACTURER MAY BE USED

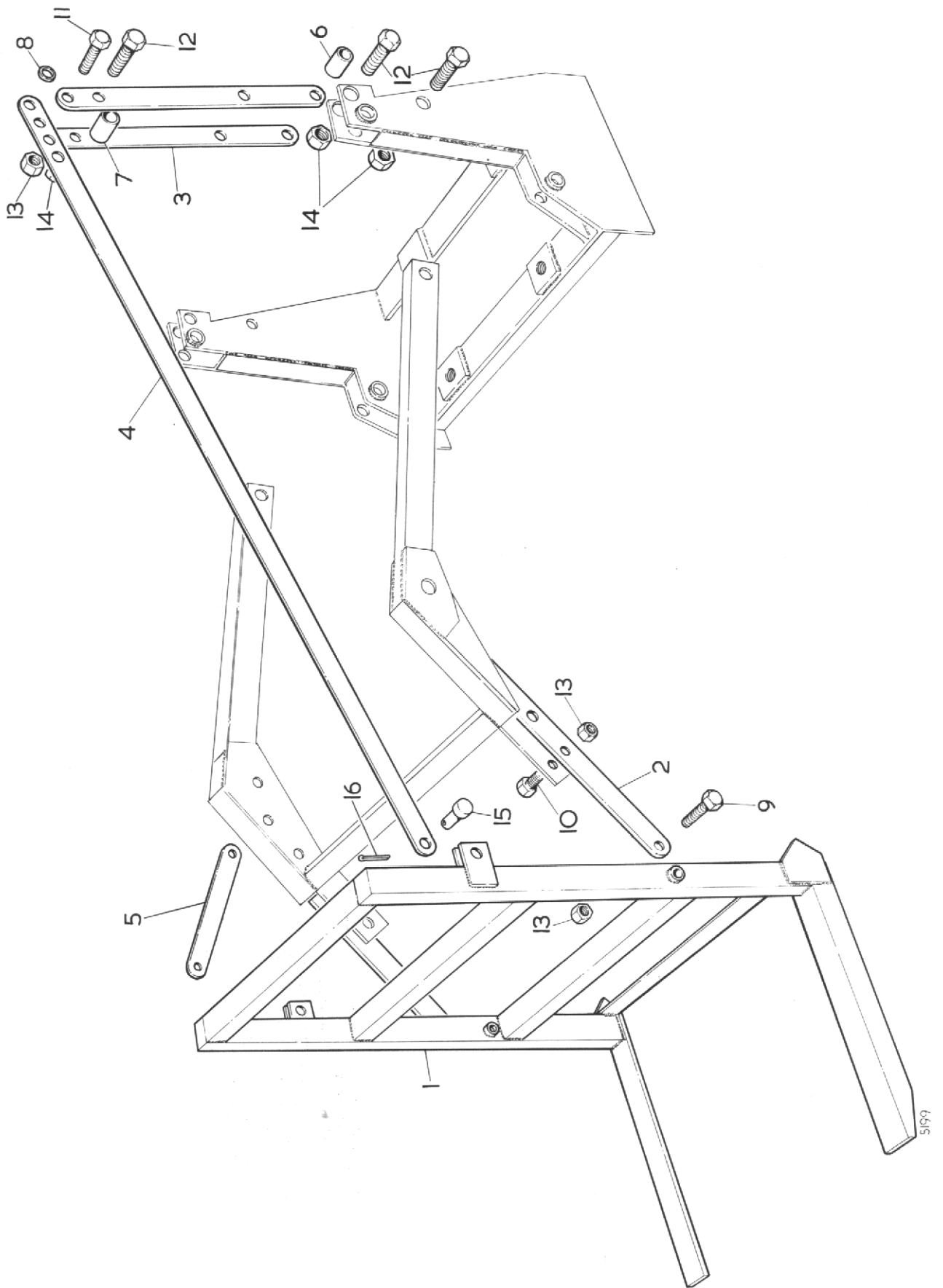
**MATCHED IMPLEMENTS**  
**AND OPTIONAL EXTRAS**



## FRONT END LOADER

Item No.	Part No.	Description	No. Off
1		$\frac{5}{8}$ " UNF x $1\frac{3}{4}$ " Hex. Bolt	4
2		$\frac{5}{8}$ " Dia. Flat Washer	8
3		$\frac{5}{8}$ " UNF Self Locknut	4
4	WT.9102	Loader Attachment Frame	1
5	WT.9178-13	Pin	2
6	WT.9266	Round Spring Cotter	5
7	WT.9628	Lever - Bucket Control	1
8	WT.9563	Shackle	2
9	WT.9272	Control Wire - Bucket Release	1
10	WT.9184	Boom - Loader	1
10A	WT.9847	Extended Bom	1
11		$\frac{3}{8}$ " UNF Hex. Self Locknut	8
12		$\frac{3}{8}$ " UNF x $2\frac{1}{2}$ " Long Hex. Bolt	4
13		$1/16$ " Dia. x $\frac{5}{8}$ " Long Split Pin	1
14	WT.9178-4	Clevis Pin	1
15	WT.9271	Plunger Release Arm	1
16	WT.9178/7	Pin	1
17		$\frac{1}{8}$ " Dia. x $\frac{3}{4}$ " Long Split Pin	1
18	WT.9273-1	Spring	1
19	WT.9564	Collar and Grub Screw	1
20	WT.9270	Pin - Plunger	1
21	WT.9550	Bracket	1
22		$\frac{3}{8}$ " UNF x 1" Hex. Bolt	4
23	WT.9178/1	$\frac{3}{4}$ " Dia. Pin	2
24	WT.9549	Bucket 4 cu. ft.)	1
25	WT.9268	Boom Arms - Standard	1
25A	WT.9596	Boom Arms - (9 cu. ft.) Bucket Only	1
26	WT.9593	Bucket (9 cu. ft.)	1
27	WT.9598	Manure Fork	1
28	WT.9804	Fork	6
29		Nut $\frac{3}{4}$ " B. S. W.	6
30	WT.982	Control Wire Extension with item 8 for item 10A	1





## FRONT PARALLEL PALLET LIFT

<i>Item No.</i>	<i>Part No.</i>	<i>Description</i>	<i>No. Off</i>
1	Y 507	Lift Frame	1
2	Y 502	Boom Attachment Arm	2
3	Y 501	Tie Bar Anchor Arm	4
4	Y 509	Tie Bar (Long) Parallel Lift	2
5	Y 508	Tie Bar (Short) Rigid Lift	2
6	Y 503	Spacing Tube 1. $\frac{7}{8}$ " Long	2
7	Y 504	Spacing Tube 2. $\frac{1}{4}$ " Long	2
8	WT 206	Spacer	4
9		$\frac{1}{2}$ " UNF x 3. $\frac{1}{4}$ " Long Bolt	2
10		$\frac{1}{2}$ " UNF x 1. $\frac{1}{2}$ " Long Bolt	4
11		$\frac{1}{2}$ " UNF x 3. $\frac{1}{2}$ " Long Bolt	2
12		$\frac{3}{8}$ " UNF x 3. $\frac{1}{2}$ " Long Bolt	6
13		Selflocknut $\frac{1}{2}$ " UNF	8
14		Selflocknut $\frac{3}{8}$ " UNF	6
15	WT 178	Clevis Pin	2
16		1/16" x 1" Split Pin	2

# CALIFORNIA

## Proposition 65 Warning

**Diesel engine exhaust and some of its constituents are known to the State of California to cause cancer, birth defects, and other reproductive harm**