

WINGET

OPERATORS HANDBOOK VIBRATORY COMPACTOR PLATE CP535HD



WINGET LIMITED
PO BOX 41
EDGEFOLD INDUSTRIAL ESTATE
PLODDER LANE
BOLTON, LANC'S
BL4 0LR
Tel: ++ 44 (0) 1204 854650
Fax: ++ 44 (0) 1204 854663
parts@winget.co.uk
service@winget.co.uk
www.winget.co.uk

This manual covers
the following models
from serial number

CP535HD-

WINGET

WINGET LIMITED
Registered in England No. 1977110

Registered Office:
P.O. Box 41
Edgefold Industrial Estate
Plodder Lane
Bolton Lancs. BL4 0LS

Tel: (01204) 854650
Fax: (01204) 854663 Parts/Purchasing
Fax: (01204) 854664 Winget Sales
Fax: (01204) 854663 Croker Sales
Fax: (01204) 854663 Service/Engineering
Fax: (01204) 854625 Accounts Enquiries
E mail: service@winget.co.uk
Web Site: www.winget.co.uk

Important Notice

Please be aware that to avoid invalidating the equipment warranty that the bolts holding the exciter unit to the base plate must be retorqued to 150ft lb after the first **5 hours of use.**

Thereafter all bolts should be rechecked and tightened after every 50 hours of use.

Failure to carry out the above could result in damage to the exciter casing and will render the warranty invalid.

TABLE OF CONTENTS

<u>Safety Information</u>	1	Exciter Removal & Disassembly	7
Introduction	1	Exciter Assembly Instructions	8
Safety Precautions	1	Exciter Installation	8
Safety Decals	1	<u>Service</u>	7
<u>Specifications</u>	3	Torque Chart	7
<u>Operation</u>	4	Service Tools	7
Introduction	4	Parts Replacement Cycles & Tolerances	8
Before Starting & Operating	4	<u>Replacement Parts</u>	9
<u>Maintenance</u>	5		
		EXCITER ASSEMBLY	14
Maintenance Schedule	5	ENGINE ASSEMBLY	16
Fluid Levels	5	ROLL CAGE	18
Engine Maintenance	5	<u>Warranty</u>	20
Engine Speed	5		
Belt Adjustment	5		
Checking Exciter Oil	6		
Changing Exciter Oil	6		

SAFETY INFORMATION

Introduction



This Safety Alert Symbol is used to call attention to items or operations which may be dangerous to those operating or working with this equipment. The symbol can be found throughout this manual and on the unit. Please read these warnings and cautions, along with all decals, carefully before attempting to operate the unit. Make sure every individual who operates or works with this equipment is familiar with all safety precautions.



GENERAL WARNING. Indicates information important to the proper operation of the equipment. Failure to observe may result in damage to the equipment and/or severe bodily injury or death.



GENERAL CAUTION. Indicates information important to the proper operation of the equipment. Failure to observe may result in damage to the equipment.

Safety Precautions



LETHAL EXHAUST GAS: An internal combustion engine discharges carbon monoxide, a poisonous, odorless, invisible gas. Death or serious illness may result if inhaled. Operate only in an area with proper ventilation. NEVER OPERATE IN A CONFINED AREA!



DANGEROUS FUELS: Use extreme caution when storing, handling and using fuels, as they are highly volatile and explosive in vapour state. Do not add fuel while engine is running. Stop and cool the engine before adding fuel. DO NOT SMOKE!



SAFETY GUARDS: It is the operators's responsibility to ensure that all guards and shields are in place and in working order.



IGNITION SYSTEMS: Breakerless, magneto, and battery ignition systems can cause severe electrical shocks. Avoid contacting these units or their wiring.



SAFE DRESS: Do not wear loose clothing, rings, wristwatches, etc. near machinery.



NOISE PROTECTION: Wear OSHA specified hearing protection devices.



EYE PROTECTION: Wear OSHA specified eye shields, safety glasses, and sweat bands.



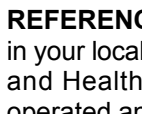
FOOT PROTECTION: Wear OSHA specified steel-tipped safety shoes.



HEAD PROTECTION: Wear OSHA specified safety helmets.



DUST PROTECTION: Wear OSHA specified dust mask or respirator.



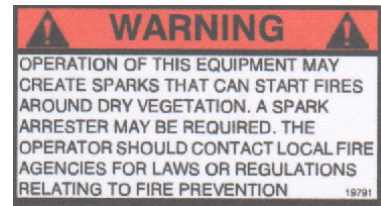
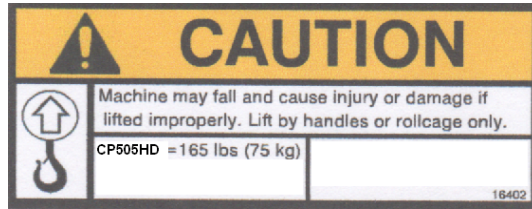
OPERATOR: Keep children and bystanders off and away from the equipment.

REFERENCES: For details on safety rules and regulations in your local area, contact your local Occupational Safety and Health Administration office. Equipment must be operated and serviced in accordance and compliance with any and all safety requirements that apply in your locality. The publication of these safety precautions is provided for your information. WINGET LIMITED does not by the publication of these precautions, imply or in any way represent that these are the sum of all dangers present near WINGET equipment. If you are operating WINGET equipment, it is your responsibility to insure that such operation is in full accordance with all applicable safety requirements and regulations.

Safety Decals

Carefully read and follow all safety decals. Keep them in good condition. If decals become damaged, replace as required. If repainting the unit, replace all decals. Decals are available from authorized WINGET distributors. Order the decal set listed on the following page(s).

V2006082



#19791

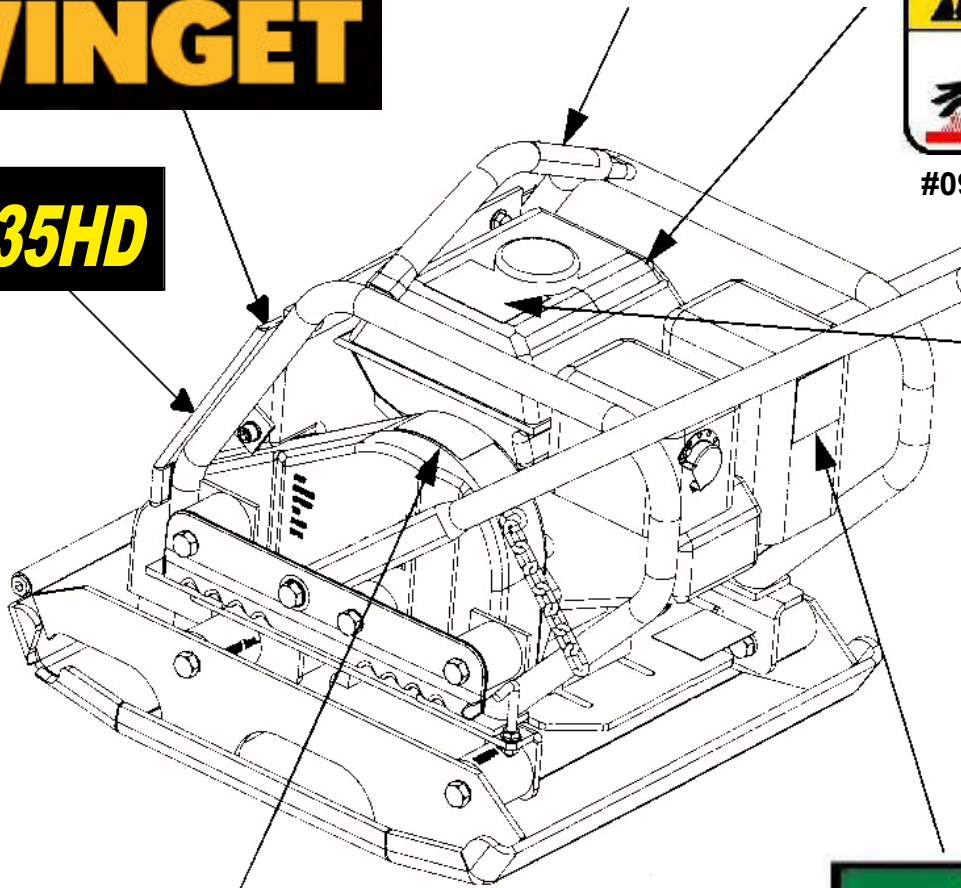
WINGET

#16402



#09311

CP535HD



#13483

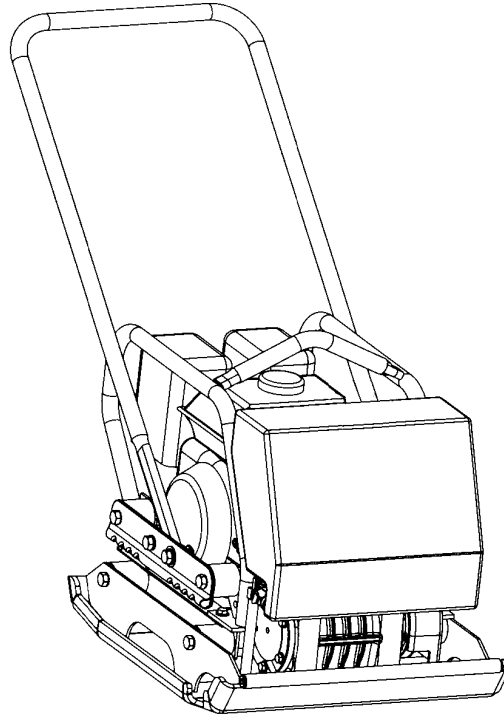


#12573



#13482

SPECIFICATIONS



		CP535HD			
Operating Weight		226lbs (103kg)			
Plate Dimensions		21 x 22 x 22.2in (53 x 56 x 56.3cm)			
Centrifugal Force		3550lbf (1610kg)			
Exciter (VPM)		44000			
Travel Speed)		110ft/min (34m/min)			
Compaction Depth		18inch (46 cm)			
Engine Speed		3400 rpm			
Noise Levels		84 - 94 dBA			
Engine		Honda GX160			
Engine Power		5.5hp (4.0Kw)			

Specifications subject to change without notice

OPERATION

Introduction

WINGET equipment is intended for use in very severe applications. They are powered by four cycle engines and are available in different sizes.

This parts manual contains only standard parts. Variations of these parts as well as other special parts are not included. Contact your local WINGET distributor for assistance in identifying parts not included in this manual.

Before Starting & Operating

REMEMBER! It is the owners responsibility to communicate information on the safe use and proper operation of this unit to the operators.

Review ALL of the Safety Precautions listed on page 1 of this manual.

Familiarize yourself with the operation of the machine and confirm that all controls function properly.

Know how to STOP the machine in case of an emergency.

Make sure hands, feet, and clothing are at a safe distance from any moving parts.

OIL LEVEL - Check the oil level in the engine. For more information see "Lubrication" under the respective engine operators manual or the Maintenance section of this manual.

AIR CLEANER- Check to ensure element is in good condition and properly installed.

FUEL SUPPLY-The engines on WINGET equipment require an automotive grade of clean, fresh, unleaded petrol/gasoline.

FUEL FILTER - If clogged or damaged, replace.
Starting the Engine

1. Open fuel valve.
3. Set throttle to idle.
4. Choke engine if necessary (you may not need to apply any to choke a warm engine).
5. Pull the starter rope repeatedly until engine starts.
6. Move choke lever to open position.
7. Allow the engine to warm up for one or two minutes

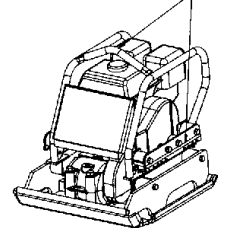
Operating

1. After engine warms up, pull throttle lever to fully accelerate engine rpm. Plate will begin vibrating and moving in a forward direction.
2. The number of passes need to reach the compaction level desired, depends on the machine model, soil type, and moisture content. Maximum compaction of the soil has been reached when excessive kickback is noticed in the compactor or when indicated by soil testing methods. The unit is intended for use on loose gravel, ground, or aggregate. **DO NOT** operate on extremely hard surfaces such as concrete.
3. This unit is designed to operate on nominally level surfaces. The operator must take necessary precautions when working on sloped surfaces to prevent personal injury and/or damage to the unit. The compactor cannot advance up inclines.
4. If a significant amount of dust is being created from the operations it is recommended that the operator wear a dust mask or other suitable RPE.

Lifting/Transportation

1. The unit may be lifted by the upper section of the engine cage as indicated in the Decal Locations section of the manual. Do not lift the unit by the handle assembly as it may cause injury or damage.
2. The unit should be transported in the upright position and secured or tied down by the engine cage or roll cage. **DO NOT** lay the machine on its sides or top.

LIFT & SECURE HERE



Stopping Engine

1. Move throttle to the idle position.
2. Let engine idle for one or two minutes.
3. Turn the engine switch to "off"



WARNING



Always stop the engine before:

Adding fuel.

Leaving the equipment unattended for any amount of time.

Before making any repairs or adjustments to the machine.

MAINTENANCE



WARNING



Always exercise the stopping procedure before servicing or lubricating the unit.

After servicing the unit, replace and fasten all guards, shields, and covers to their original positions before resuming operation.



CAUTION



Always verify fluid levels and check for leaks after changing fluids.

Do not drain oil onto ground, into open streams, or down sewage drains.

Maintenance Schedule

SYSTEM	MAINTENANCE	EACH USE	EVERY 50 HOURS	EVERY 250 HOURS	YEARLY
Engine	Refer to engine operator/owner manual	X			
Exciter	Check oil level		X		
	Check for oil leaks	X			
	Change oil			X	X
	Tighten Bolts ¹		X		X
Hardware	Check and tighten as needed ¹		X		X
Shock mounts	Check for cracks or tears		X		X

Check all hardware after the first 5 hours of use, then follow the maintenance schedule.

Fluid Levels

SYSTEM	FLUID VOLUME	RECOMMENDED OIL
Exciter	8 oz.	WINGET [®] Exciter Oil ¹
Engine	Refer to engine operator/owner manual	

WINGET #01058---- 6-Pack (8 oz. bottles)
WINGET #17320---- 1 quart (32 oz.)

Engine Maintenance

Refer to the Engine Operators Manual for intervals and procedures.

Disassembly Instructions



CAUTION



Assembly and Disassembly should be performed by a service technician who has been factory trained on WINGET equipment.

Cleaning Plate

The unit should be clean and free of debris, especially around exciter covers, to prevent foreign materials from entering the internal unit assemblies. Steam cleaning is recommended.

Engine Speed

1. Engine speed is factory set according to the speed listed in the Specification section of this manual. Do not tamper with the governor setting, the governor establishes safe operating limits which must not be exceeded.
2. Refer to Engine Operators Manual for the procedure on setting operating and idle speed.
3. The engine operating speed should be set to 3400 RPM.
4. The engine idle speed should not exceed 1800 rpm, if the idle speed is greater than 1800 rpm the clutch may not dis-engage correctly.

Belt Adjustment

If any belt stretch develops, follow these steps:-
Reference engine assembly page.

1. Remove the 4 flange bolts securing roll cage assembly to engine deck and remove cage assembly. Refer to figure 1

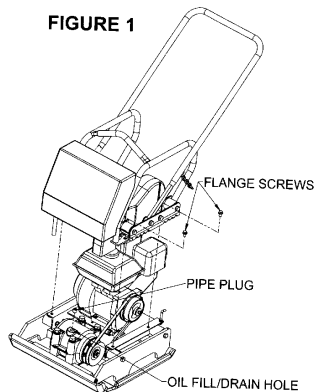
2. Apply moderate thumb pressure to the belt about half way between the pulleys. When correctly adjusted the belt should deflect approximately 3/8" (9mm). If the belt is adjusted correctly reinstall belt guard and hardware.
3. To adjust belt tension, loosen (do not remove) the (4) engine bolts.
4. Push engine towards the back of the plate. While holding pressure on the engine retighten the (4) engine bolts.
5. Recheck the belt tension as described in step 2 and readjust if necessary until the proper tension is reached.
6. Reinstall the roll cage assembly.

Checking Exciter Oil

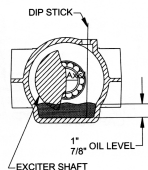


The Exciter and oil are hot after machine has been running. Allow machine to cool before servicing.

1. Let exciter cool before checking oil level.
2. Place the plate on a level surface.
3. Remove roll cage assembly by removing (4) flange screws securing cage to engine deck. Lift entire roll cage assembly including cage, belt guard and handle can be removed, see figure 1 below



4. Clean all debris from the exciter to prevent contamination of the exciter oil.
5. Remove pipe plug from top of exciter housing.
6. Rotate exciter shaft to allow metal dipstick to be inserted into exciter, refer to figure 2 below.



7. Pass a clean metal rod through the oil filler hole as shown, oil level should be 7/8"-1" on dipstick.
8. Refer to Fluid Levels in Specifications for type of oils to be used. Do not overfill, this can cause excess heat.

9. Apply pipe sealant to pipe plug and reinstall into top of exciter.
10. Reinstall roll cage assembly.

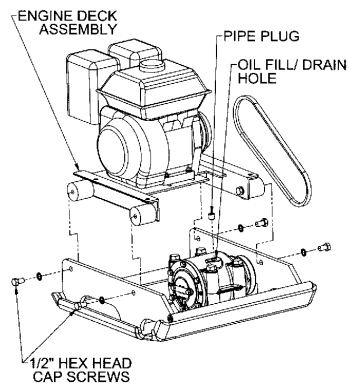
Changing Exciter Oil



The Exciter and oil are hot after machine has been running. Allow machine to cool before servicing.

1. Let exciter cool before changing oil.
2. Place the plate on a level surface.
3. Remove roll cage assembly by removing (4) flange screws securing cage to engine deck. Lift entire roll cage assembly including cage, belt guard and handle can be removed, see figure 1.
4. Remove 1/2" hex head cap screws and lock washers from side of bottom plate. Remove belt and engine deck assembly, refer to figure 3 below.

FIGURE 3



5. Remove plug from top of exciter housing, turn plate housing upside down to drain oil from housing.
- (6. Optional: Remove the oil drain screw and brass washer from the exciter rear cover. Tilt the bottom plate housing on it's side to drain oil from housing. Stand plate upright, refit drain plug and washer.)
7. Return plate to the upright position.
8. Fill exciter with exciter oil as specified under Fluids on Specifications page, using clean metal dipstick to ensure oil level is correct as described under checking exciter oil levels.
9. Apply pipe sealant to pipe plug and reinstall into top of exciter housing.
10. Reinstall engine deck assembly, belt, check and adjust belt tension as previously described if necessary.
11. Reinstall roll cage assembly

SERVICE

Assembly and disassembly should be performed by a service technician who has been factory trained on WINGET equipment. The unit should be clean and free of debris. Pressure washing before disassembly is recommended.

Prior to assembly, wash all parts in a suitable cleaner or solvent.

Check moving parts for wear and failure. Refer to the Replacement section in this manual for tolerance and replacement cycles.

All shafts and housings should be oiled prior to pressing bearings. Also, ensure that the bearings are pressed square and are seated properly.

All bearings should be replaced when rebuilding any exciter or gearbox.

All gaskets and seals should be replaced after any disassembly.

Torque Chart

SIZE	GRADE 2	GRADE 5	GRADE 8
1/4-20	49 in lbs	76 in lbs	9 ft lbs
1/4-28	56 in lbs	87 in lbs	10 ft lbs
5/16-18	8 ft lbs	13 ft lbs	18 ft lbs
5/16-24	9 ft lbs	14 ft lbs	20 ft lbs
3/8-16	15 ft lbs	23 ft lbs	33 ft lbs
3/8-24	17 ft lbs	26 ft lbs	37 ft lbs
7/16-14	24 ft lbs	37 ft lbs	52 ft lbs
7/16-20	27 ft lbs	41 ft lbs	58 ft lbs
1/2-13	37 ft lbs	57 ft lbs	80 ft lbs
1/2-20	41 ft lbs	64 ft lbs	90 ft lbs
9/16-12	53 ft lbs	82 ft lbs	115 ft lbs
5/8-11	73 ft lbs	112 ft lbs	159 ft lbs
5/8-18	83 ft lbs	112 ft lbs	180 ft lbs
3/4-16	144 ft lbs	200 ft lbs	315 ft lbs
1-8	188 ft lbs	483 ft lbs	682 ft lbs
1-14	210 ft lbs	541 ft lbs	764 ft lbs
1-1/2-6	652 ft lbs	1462 ft lbs	2371 ft lbs
M 6	3 ft lbs	4 ft lbs	7 ft lbs
M 8	6 ft lbs	10 ft lbs	18 ft lbs
M 10	10 ft lbs	20 ft lbs	30 ft lbs

CONVERSIONS

in lbs x 0.083 = ft lbs

ft lbs x 12 = in lbs

ft lbs x 0.1383 = kg m

ft lbs x 1.3558 = N m

Service Tools

Part No.	Description
01058	6 -Pack Exciter Oil
01629	Test Mat, Rubber

Exciter Removal

1. Remove roll cage assembly, engine deck and belt as described previously on page 6, changing exciter oil.
2. Remove 4 5/8-11 exciter bolts, washers, lock washers and nuts. If unit has exciter shims make a note of the location to assure correct placement during reassembly
3. Clean the exciter and drain the oil before proceeding with disassembly.

Refer to the illustrated parts page to assist in exciter disassembly.

Exciter Disassembly

1. Remove flange screw (26) and washer (14) securing the pulley (2) to the exciter shaft (19).
 2. Slide the pulley off the shaft ensuring the key (15) is not mislaid.
- NOTE: to aid removal of the rear cover you will need two jacking 5/16"-18 screws, minimum grade 5**
3. Remove 6 flange screws (26) from rear cover plate (4) insert the two 5/16" screws into the threaded holes on the cover and screw in to jack off and remove the cover. When jacking cover off ensure it is jacked off straight.
 4. Support the exciter assembly on outer diameter of exciter housing (1) and press shaft out of housing.
 5. Remove 6 flange screws (25) from front cover plate (3) and remove front cover.

NOTE: if bearings have failed and need to be replaced then proceed with bearing removal step 6. If bearings do not need replacing skip to step #8.

6. Support exciter housing (1) and press out front bearing (12) from inside out.
7. Remove retainer plate 6 by removing 2 cap screws (24) and remove snap ring (8)
8. Remove bearing (11) from rear cover(4) with small punch through the holes for the cap screws (24) ensuring the bearing comes out straight. Remove snap ring (9)
9. Remove bearing (11) inner race from exciter shaft by supporting OD of shaft and pressing bearing through.
- 10 Always replace sealing washer (5) oil seal (10) and cover gaskets (17 & 18)

Exciter Re-assembly

Refer to the illustrated parts page to assist in exciter reassembly.

1. Clean all components in a suitable solvent or cleaning solution, replace all seals and gaskets.

Note: if replacing bearings proceed to step #2, if not replacing bearings skip to step #6

2. Press front bearing (12) into exciter housing (1)

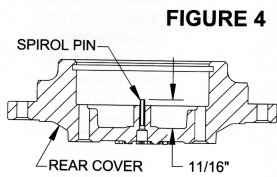
3. Press bearing (11) inner race onto exciter shaft (19)

4. Install snap ring (9) onto exciter shaft.

5. Support I.D. and O.D. of bearing (12) and press exciter shaft into bearing.

6. Check felt filter (13) ensuring it is not blocked or deteriorating, replace if necessary

7. Check and set end of spirol pin (23) to be 11/16" from inside of rear cover (4) see figure 4 below.



8. Press bearing (11) into rear cover (4) and install snap ring (8) and gasket (18)

NOTE: to aid assembly of rear cover will require three 5/16-18 x 2-1/2 length bolts

9. Apply oil to I.D. Of exciter housing and O.D. Of rear cover.

10. Set rear cover (4) and new gasket (18) on exciter housing and install three alignment bolts into exciter housing.

NOTE: ensure inner race is correctly aligned to slide into the bearing, otherwise the shaft may push the front bearing out of the housing.

11. Carefully press or tap the rear cover (4) down to seat on the exciter housing. Take care to keep cover straight when installing to prevent damage to housing or cover.

12. Remove the three bolts and install the six flange screws (26) securing the cover. Torque flange screws to 13ft.-lbs.

13. Use medium strength thread lock when installing retainer plate (6) with 2 cap screws (24).

14. Install oil drain cap screw (24) and brass washer (27)

15. Press oil seal (10) into front cover (3), the face of the seal should be flush with the front cover.

16. Install the sealing washer (5)

17. Install new gasket (17) front cover (3) and 6 flange screws (25). Torque flange screws to 13ft.-lbs.

18. Install new gasket (18) rear cover (6) and 6 flange screws (25). Torque flange screws to 13ft.-lbs.

19. Grease lip of oil seal (10) and exciter shaft, install key (15) on exciter shaft and slide pulley (2) onto shaft.

20. Install washer (14) and flange screw (26). Torque flange screw to 13ft.-lbs.

21. Fill exciter with WINGET exciter oil to level specified in the fluid levels section of this manual.

Exciter Installation

Refer to the illustrated parts page to assist in exciter installation.

1. Clean exciter mounting bars on bottom plate, replace any exciter shims (3) in original position and set exciter assembly in place on mounting bars.

2. Check to ensure exciter sits true and flat on mounting bars if no shims (3) are fitted.

3. Install 4 5/8-11 exciter bolts, washers, lock washers and 5/8-11 nuts. Torque exciter bolts to 150ft.-lbs.

4. Reinstall engine deck and belt if necessary adjust belt tension as previously described. Reinstall roll cage assembly.

Parts Replacement Cycles and Tolerances

Exciter Oil	Replace once every season or every 250 hours. Use 8oz. Winget Exciter Oil
Bearings	Replace anytime a bearing is rough, binding, discolored or removed from housing or shaft.
Clutch	Replace clutch if it does not disengage below 1800 rpm.
Engine Components	Refer to Engine Manufacturers Manual
Hardware	Replace any worn or damaged hardware as needed. Replacement hardware should be grade 5 and zinc plated unless otherwise specified.
Safety Decals	Replace if they become damaged or illegible.
Seals & Gaskets	Replace if a leak is detected and at every overhaul or tear down.
V-Belts	Replace if cracked, torn or stretched

REPLACEMENT PARTS

The warranty is stated in this book on page 20. Failure to return the Warranty Registration Card renders the warranty null and void.

WINGET has established a network of reputable distributors/dealers with trained mechanics and full facilities for maintenance and rebuilding, and to carry an adequate parts stock in all areas of the country. Their sales engineers are available for professional consultation. If you cannot locate a WINGET distributor in your area, contact WINGET as listed below.

When ordering replacement parts, be sure to have the following information available:

Model and Serial Number of machine when ordering WINGET parts

Model and Serial Number of engine when ordering engine parts

Part Number, Description, and Quantity

Company Name, Address, Zip Code, and Purchase Order Number

Preferred method of shipping

REMEMBER - You own the best! If repairs are needed, use only WINGET parts purchased from authorised WINGET distributors

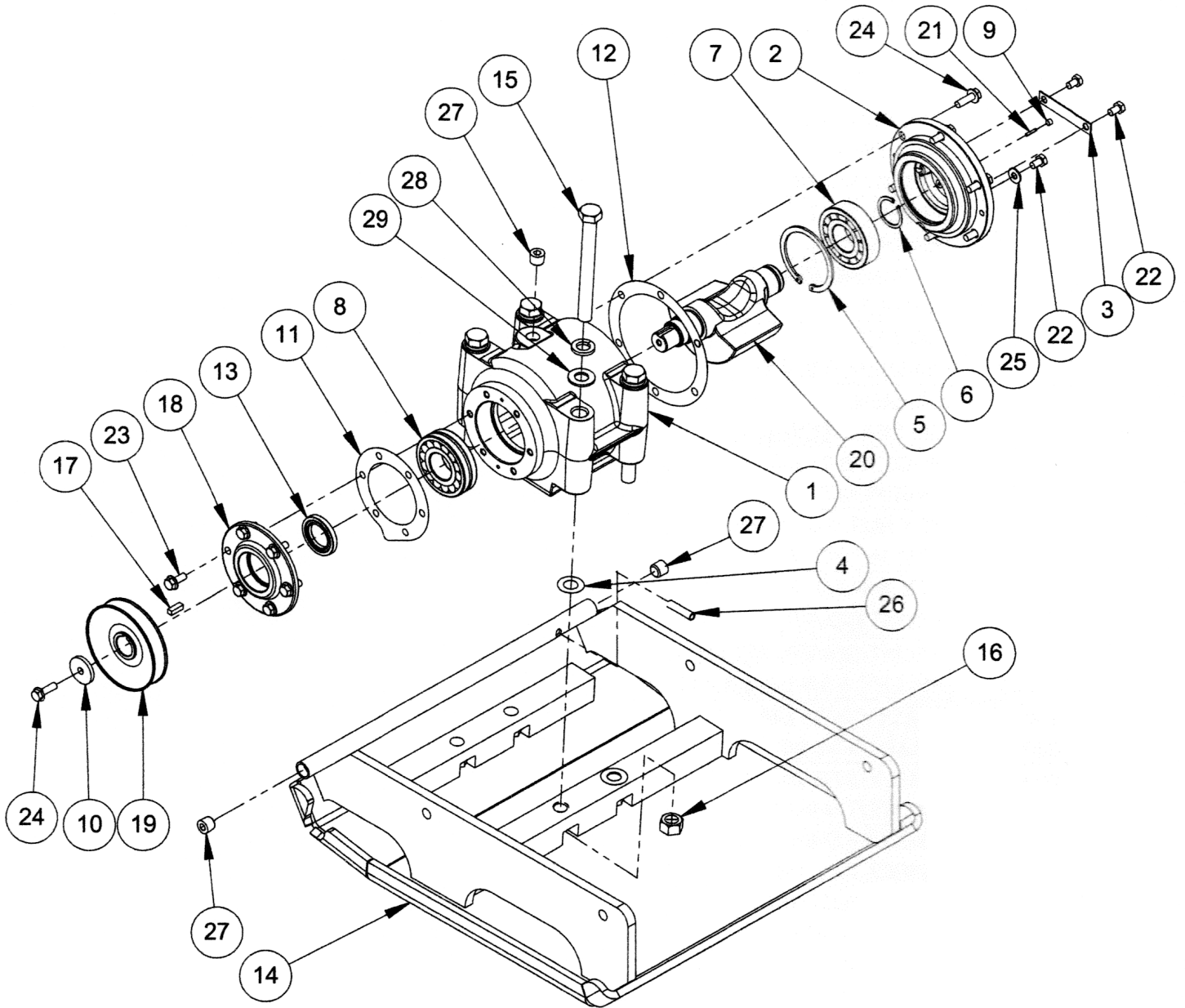
Write Model Number here

Write Serial Number here

Contact Information

**WINGET Limited
PO Box 41
Edgefold Industrial Estate
Plodder Lane
Bolton, Lancs
BL4 0LR**

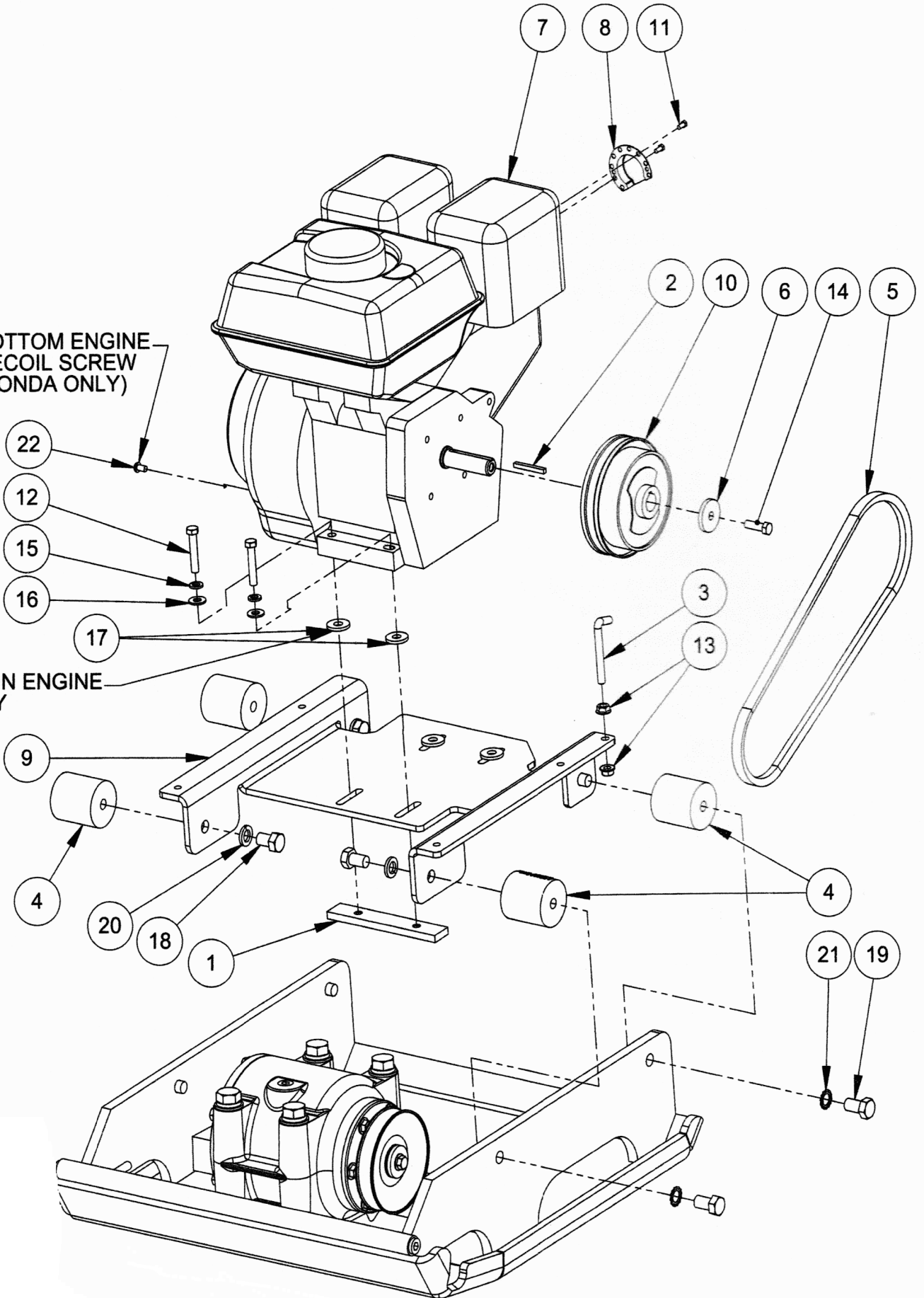
email: parts@winget.co.uk



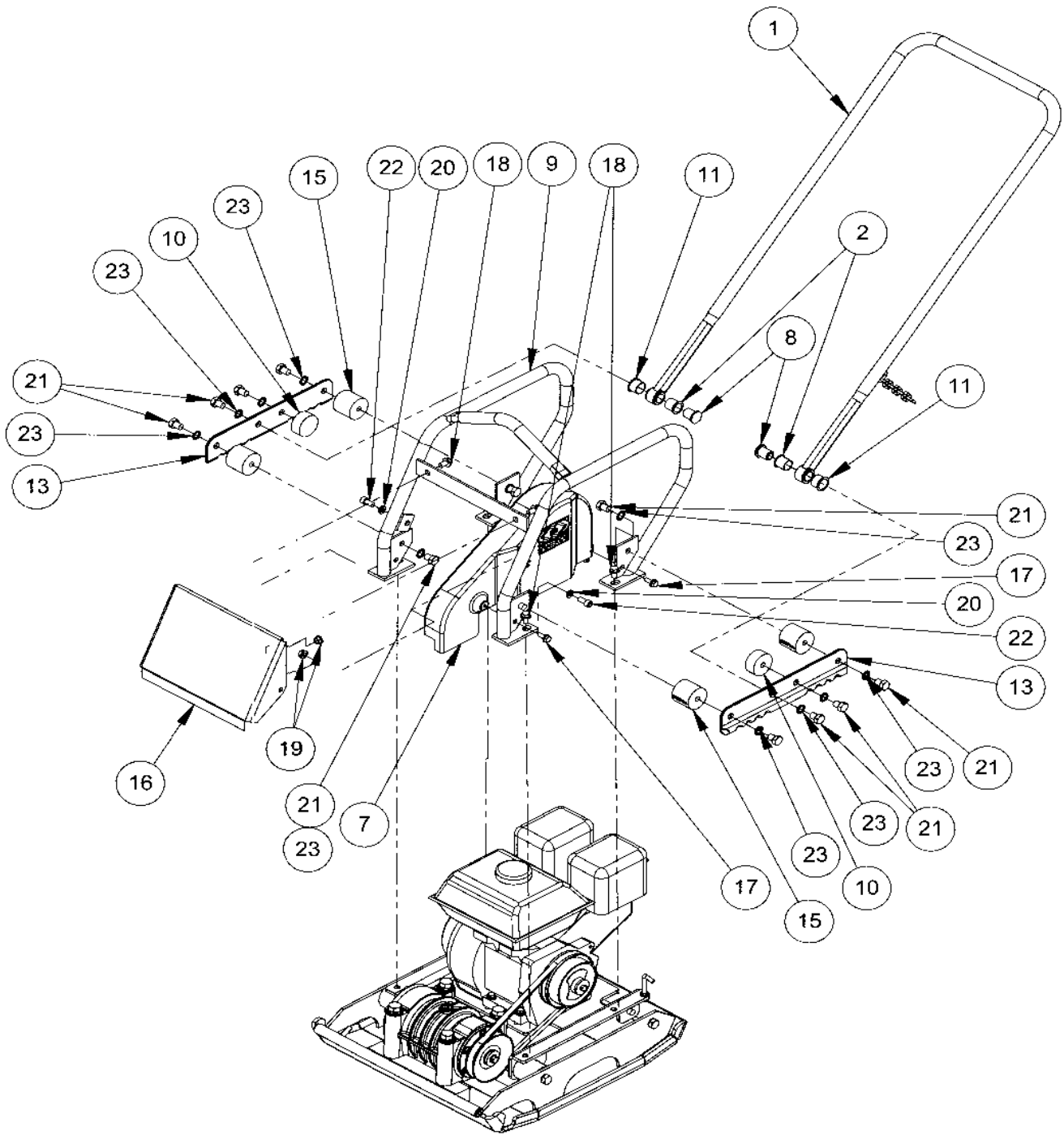
CP535HD Exciter Assembly

BOTTOM ENGINE
RECOIL SCREW
(HONDA ONLY)

ROBIN ENGINE
ONLY



ENGINE ASSEMBLY CP535HD



ROLL CAGE

WARRANTY

WHAT DOES THIS WARRANTY COVER? WINGET Limited (WINGET) warrants each New Machine against defects in material and workmanship for a period of twelve (12) months. "New Machine" means a machine shipped directly from WINGET or authorised WINGET dealer to the end user. This warranty commences on the first day the machine is sold, assigned to a rental fleet, or otherwise put to first use.

WINGET warrants each Demonstration Machine against defects in "Machine" means a machine used by WINGET or its agents for promotional purposes. This warranty commences on the first day the machine is sold, assigned to a rental fleet, or otherwise put to first use.

This warranty covers the labor cost for replacement or repair of parts, components, or equipment on New Machines or Demonstration Machines, and WINGET shall pay labor costs at WINGET's prevailing rate to affect the warranted repair or replacement. WINGET reserves the right to adjust labor claims on a claim-by-claim basis.

This warranty covers the shipping cost of replacement parts, components, or equipment via common ground carriers from WINGET to an authorized WINGET dealer. Air freight is considered only in cases where ground transportation is not practical.

MAY THIS WARRANTY BE TRANSFERRED? This warranty is non-transferable and only applies to the original end user of a new machine or demonstration machine.

WHAT DOES THIS WARRANTY NOT COVER?

1. This warranty does not cover any Used Equipment. "Used Equipment" means any WINGET machine or equipment that is not a New Machine or a Demonstration Machine. All Used Equipment is sold **AS IS/WHERE IS WITH ALL FAULTS**.

2. This warranty does not cover any New Machine, Demonstration Machine, or their equipment, parts, or components altered or modified in any way without WINGET's prior written consent. This warranty does not cover the use of parts not specifically approved by WINGET for use on WINGET products. This warranty does not cover misuse, neglect, shipping damage, accidents, acts of God, the operation of any New Machine or Demonstration Machine in any way other than recommended by WINGET in accordance with its specifications, or any other circumstances beyond WINGET's control. This warranty does not cover any New Machine or Demonstration Machine repaired by anyone other than WINGET factory branches or authorized WINGET distributors.

3. This warranty does not cover, and WINGET affirmatively disclaims, liability for any damage or injury resulting directly or indirectly from design, materials, or operation of a New Machine or Demonstration Machine or any other WINGET product. WINGET's liability with respect to any breach of warranty shall be limited to the provisions of this document and in no event shall exceed an amount equal to the purchase price of the New Machine or Demonstration Machine purchased from WINGET.

4. This warranty does not cover engines, motors, and other assemblies or components produced by other manufacturers and used on a New Machine or Demonstration Machine, as said engines, motors, and other assemblies or components may have warranties provided by the manufacturer thereof. This warranty does not apply to consumable items, such as v-belts, filters, trowel and screed blades, seals, shock mounts,

batteries, and the like, all of which are sold AS IS/WHERE IS WITH ALL FAULTS.

5. This warranty does not cover the cost of transportation and other expenses which may be connected with warranty service but not specifically mentioned herein.

6. This warranty does not cover any updates to any New Machine, Demonstration Machine, or any other WINGET product. WINGET reserves the right to improve or make product changes without incurring any obligation to update, refit, or install the same on New Machines or Demonstration Machines previously sold.

WHAT MUST YOU DO TO OBTAIN WARRANTY COVERAGE? Each New Machine or Demonstration Machine is accompanied by a Warranty Registration Card. You must sign, date, and return the Warranty Registration Card to the place of origin of the New Machine or Demonstration Machine to WINGET within ten (10) days after purchase, assignment to a rental fleet, or first use. This signed warranty card is the buyer's affirmation that he has read, understood, and accepted the warranty at the time of purchase. Failure to return the warranty card as specified herein renders the warranty null and void. In order to receive warranty coverage consideration, warranty claims must be submitted within thirty (30) days after the New Machine or Demonstration Machine fails. Warranty claims must be submitted to WINGET and written authorization for the return of merchandise or parts under the warranty must be obtained before shipment to WINGET.

WHAT WILL WINGET DO? WINGET's obligation under this warranty is limited to the replacement or repair of parts for a New Machine or

Demonstration Machine at WINGET factory branches or at authorized WINGET distributors, and such replacement or repair is the exclusive remedy provided hereunder. Labor must be performed at an

authorized WINGET distributor. WINGET reserves the right to inspect and render a final decision on each warranty case, and WINGET's repair or replacement is solely within the discretion of WINGET.

IT IS EXPRESSLY AGREED THAT THIS SHALL BE THE SOLE AND EXCLUSIVE REMEDY UNDER THIS WARRANTY. UNDER NO

CIRCUMSTANCES SHALL WINGET BE LIABLE FOR ANY COSTS, LOSS, EXPENSE, DAMAGES, SPECIAL DAMAGES, INCIDENTAL DAMAGES, OR PUNITIVE DAMAGES ARISING DIRECTLY OR INDIRECTLY FROM THE USE OF THE NEW MACHINE OR DEMONSTRATION MACHINE WHETHER BASED UPON WARRANTY, CONTRACT, NEGLIGENCE, STRICT LIABILITY, OR ANY OTHER LEGAL THEORY.

THE FOREGOING WARRANTY IS EXPRESSLY IN LIEU OF ALL OTHER WARRANTIES, EXPRESS OR IMPLIED, INCLUDING THE WARRANTIES OF MERCHANTABILITY, FITNESS FOR USE, AND FITNESS FOR A PARTICULAR PURPOSE, AND ALL OTHER OBLIGATIONS OR LIABILITY ON WINGET'S PART. WINGET NEITHER ASSUMES NOR AUTHORIZES ANY OTHER PERSON TO ASSUME ON

BEHALF OF WINGET ANY OTHER LIABILITY OR WARRANTY IN CONNECTION WITH THE SALE OR SERVICE OF ANY NEW MACHINE, DEMONSTRATION MACHINE, OR ANY OTHER WINGET PRODUCT.



WARNING



CALIFORNIA PROPOSITION 65 WARNING

Engine exhaust and some of its constituents
are known in the state of California to cause
cancer,

